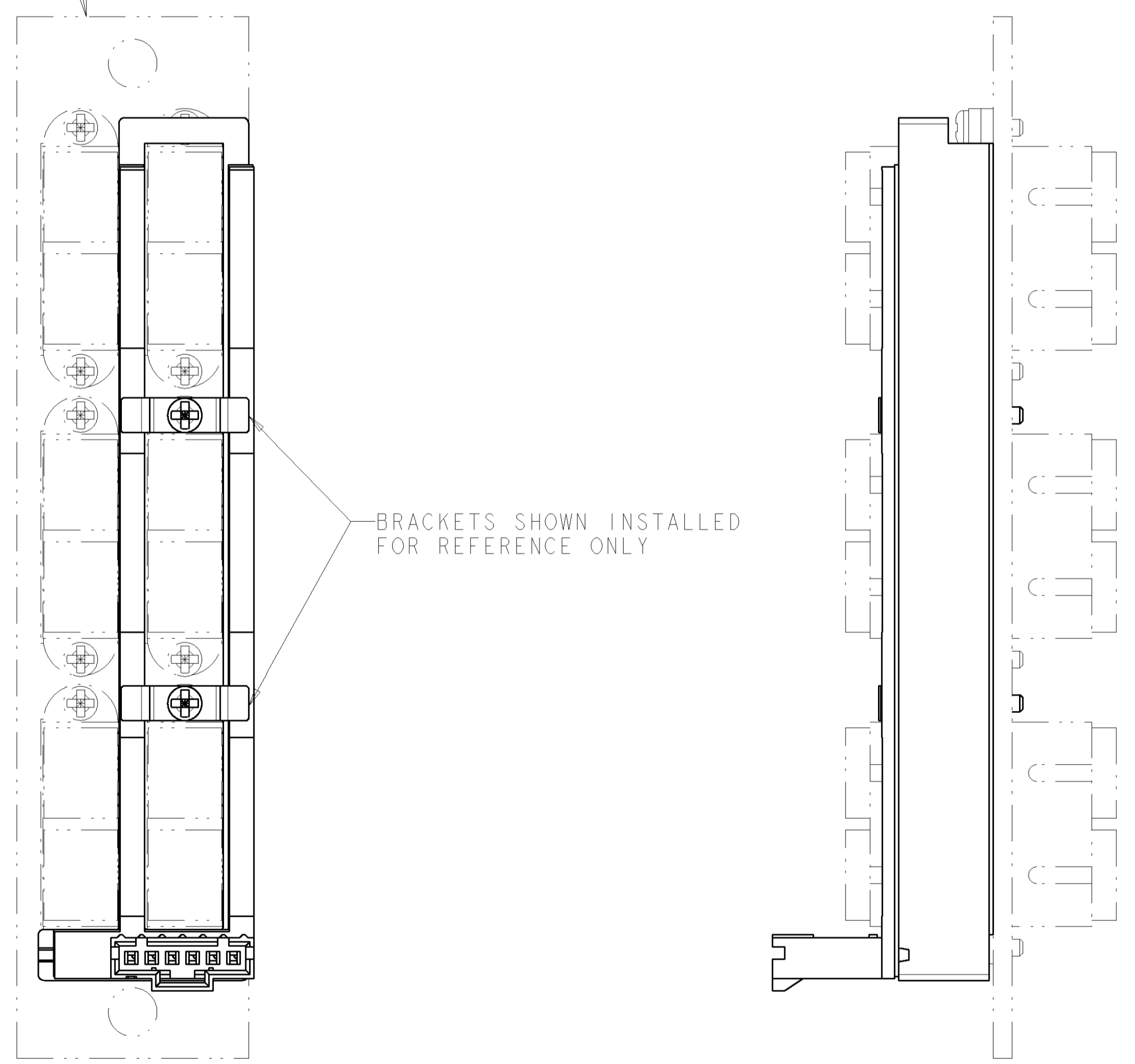
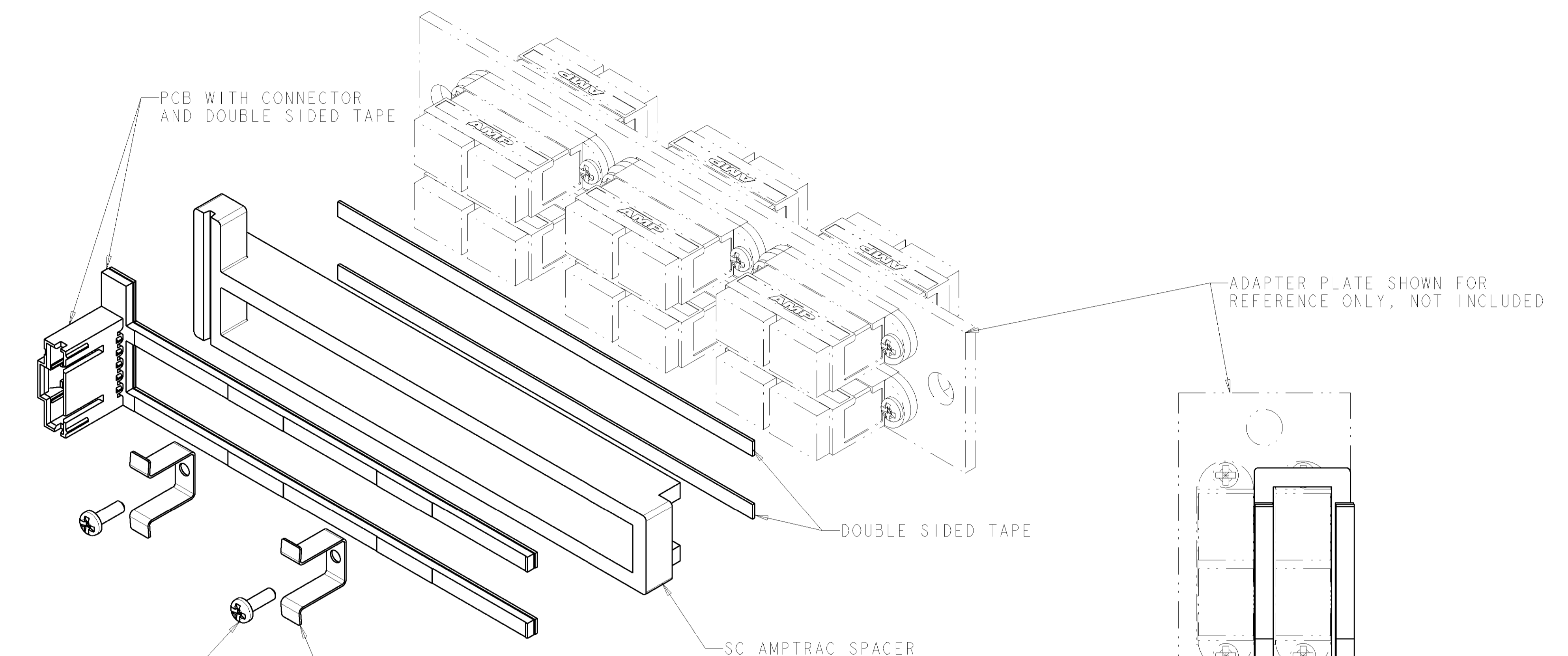


LOC		DIST		REVISIONS			
P	LTR	DESCRIPTION	DATE	DRN	APVD		
A		REDWN. REV: EC 0B60-0091-04	21OCT2004	GG	MD		

△ MATERIAL:
 PRINTED CIRCUIT BOARD - LAMINATED PLASTIC, FR-4.
 SC AMPTRAC SPACER - THERMOPLASTIC.
 PCB HOLDING BRACKETS - STAINLESS STEEL.
 PCB CONNECTOR - FLAME RETARDANT THERMOPLASTIC,
 CONTACTS BRASS.



1435685-1
 PART NUMBER

<small>THE INFORMATION CONTAINED HEREIN IS UNCLASSIFIED EXCEPT WHERE SHOWN OTHERWISE. IT IS THE PROPERTY OF TYCO ELECTRONICS CORPORATION AND IS TO BE CONTAINED AND CONTROLLED BY THE USER'S ORGANIZATION UNLESS SO INDICATED BY THE USER'S ORGANIZATION.</small>		DWN: G. GARRETT 21OCT2004 ENR: M. DELPHIAS 21OCT2004 APVD: M. DELPHIAS 21OCT2004	tyco Electronics Tyco Electronics Harrisburg, PA 17105-3608
DIMENSIONS: MM [INCHES]	TOLERANCES UNLESS OTHERWISE SPECIFIED: 0 PLC ± 1 PLC ± 2 PLC ± 3 PLC ± 4 PLC ± ANGLES ± FINISH -	NAME: RETROFIT FOR 6 SC DUPLEX ADAPTER PLATE OR CASSETTE - AMPTRAC PRODUCT SPEC - APPLICATION SPEC - WEIGHT - CUSTOMER DRAWING	SIZE: CAGE CODE DRAWING NO. RESTRICTED TO: A 100779 C-1435685 SCALE: 2:1 SHEET 1 OF 1 REV A

单击下面可查看定价，库存，交付和生命周期等信息

[>>TE Connectivity\(泰科\)](#)