

THIS DRAWING IS UNPUBLISHED. RELEASED FOR PUBLICATION  
 © COPYRIGHT BY TYCO ELECTRONICS CORPORATION. ALL RIGHTS RESERVED.

LOC		DIST		REVISIONS			
P	LTR	DESCRIPTION		DATE	DWN	APVD	
AF	50	D	REV PER ECR	06-006952	30MAR06	JR	GJ

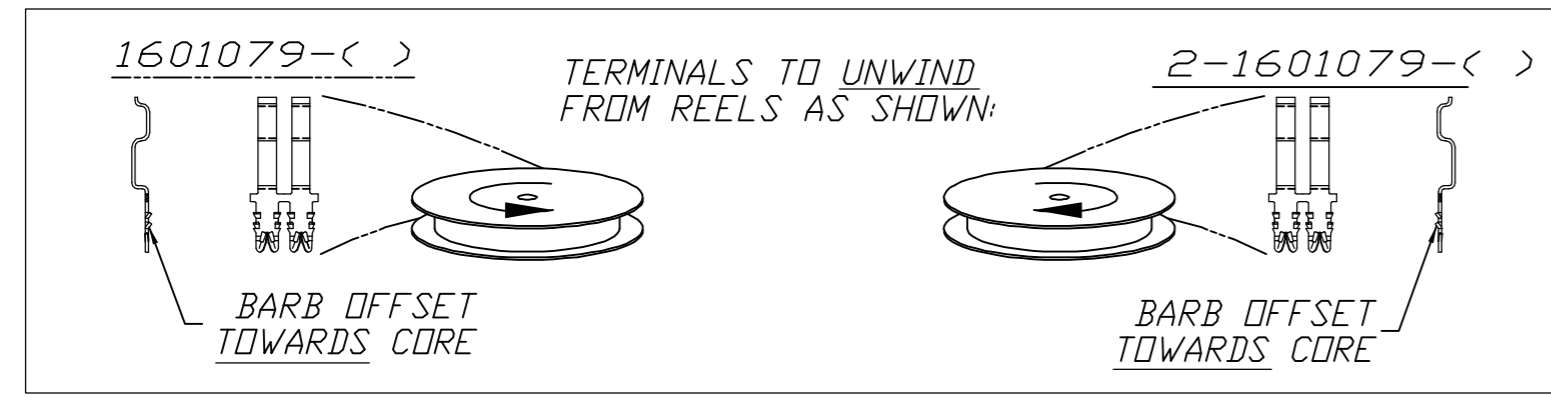
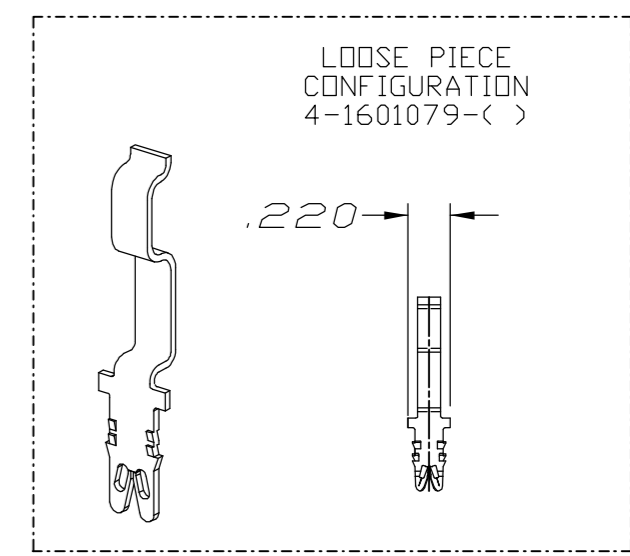
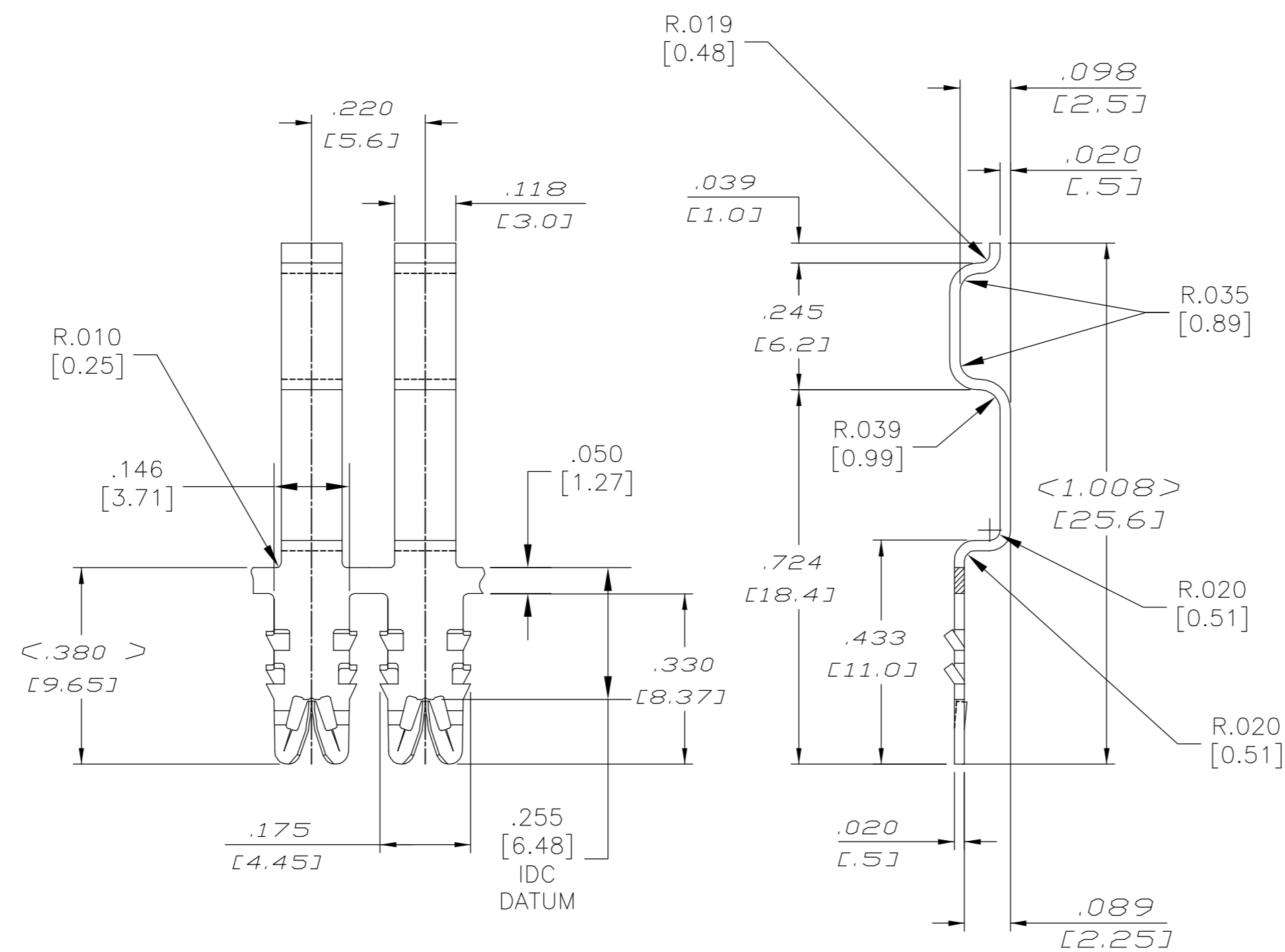
1. SPECIFICATIONS:  
 MAGNET WIRE #18 - #34 AWG,  
 .040" (1.02MM) - .006" (0.16MM) DIA COPPER.  
 OTHER SIZES MAY BE ACCOMMODATED,  
 CONSULT TYCO ELECTRONICS FOR APPROVAL.

2. POCKET RECOMMENDATION:  
 #1601425

3. NOTES:  
 TERMINALS SUPPLIED ON REELS,  
 CAN BE SUPPLIED LOOSE PIECE,

4. TERMINAL APPLICATION TO COMPLY WITH  
 TYCO ELECTRONICS SPEC #114-13166, FIG. 9

5. PRELIMINARY - NOT FOR PRODUCTION



OBSOLETE

	-	-	-
	Pre-Tin Plate over Nickel Underplate	-	△ 2-1601079-3
	Pre-Tin plate over Nickel Underplate	-	△ 1601079-3
	Pre-Silver Plate over Nickel Underplate	031-149-025	4-1601079-2
	Pre-Silver Plate over Nickel Underplate	131-150-025	2-1601079-2
	Pre-Silver Plate over Nickel Underplate	131-149-025	1601079-2
	FINISH	REFERENCE PART NUMBER	TYCO PART NUMBER
THIS DRAWING IS A CONTROLLED DOCUMENT.	DWN J.WELLER 11JAN2002 CHK M.FEHER 11JAN2002 APVD K.RANDOLPH 11JAN2002	Tyco Electronics Corporation Harrisburg, PA 17105-3608	
DIMENSIONS: INCHES	TOLERANCES UNLESS OTHERWISE SPECIFIED: 0 PLC ± - 1 PLC ± - 2 PLC ± .01 [0.25] 3 PLC ± .005 [0.13] 4 PLC ± - ANGLES ± 2°	NAME 108-2085 APPLICATION SPEC 	STANDARD RANGE WIRE TO MULTI-BARB 45 MM CONTACTOR SIAMEZE TERMINAL
MATERIAL H04 FULL HARD	FINISH SEE TABLE	WEIGHT -	RESTRICTED TO -
CUSTOMER DRAWING		SIZE A2	SCALE 4:1
		CAGE CODE 00779	DRAWING NO C=1601079
		SHEET 1 OF 1	REV D

单击下面可查看定价，库存，交付和生命周期等信息

[>>TE Connectivity\(泰科\)](#)