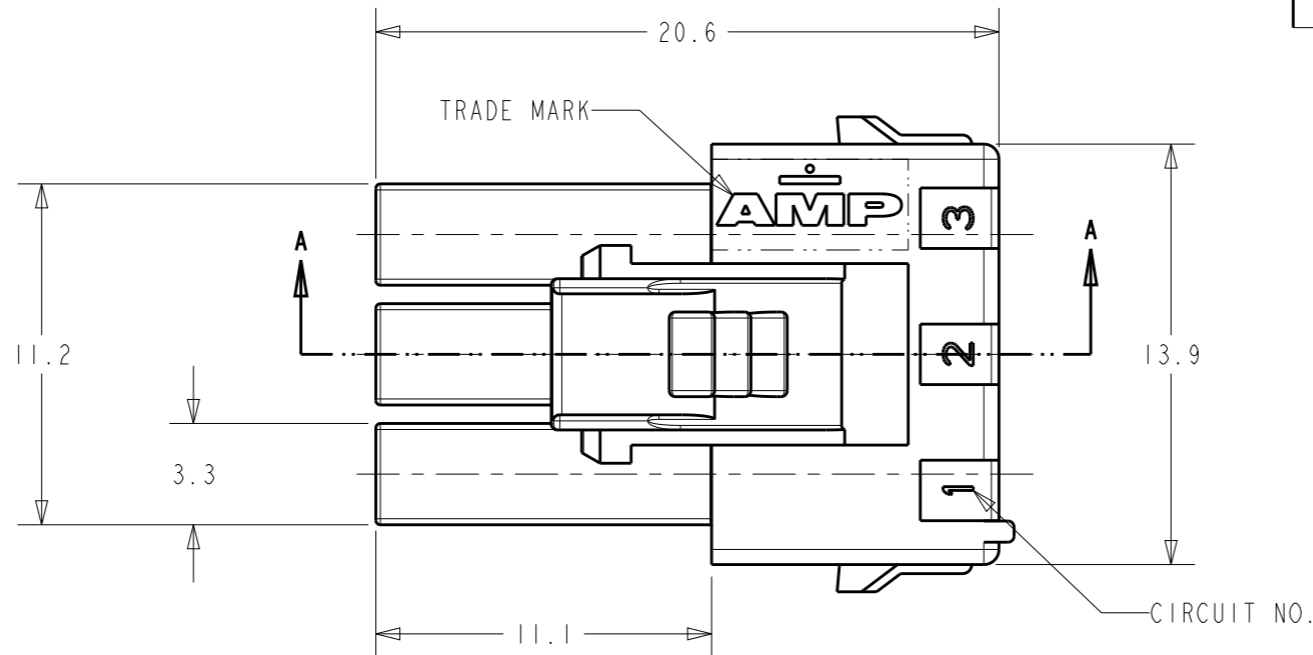
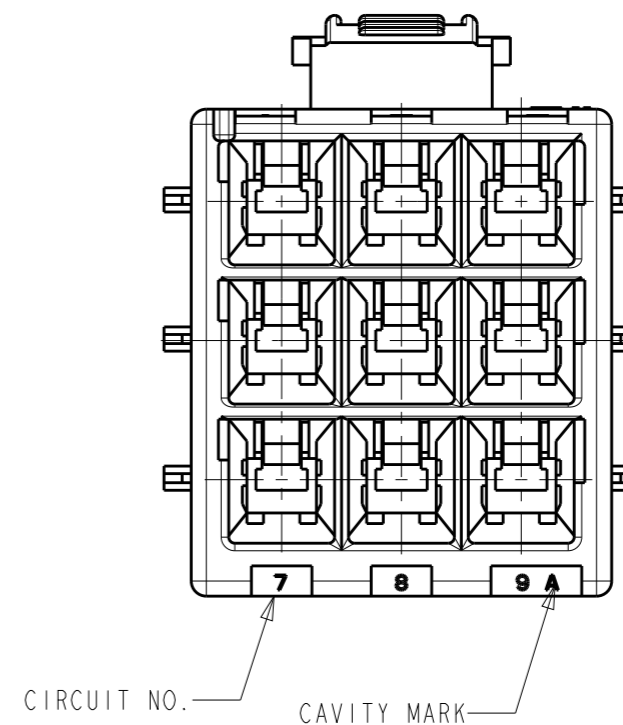
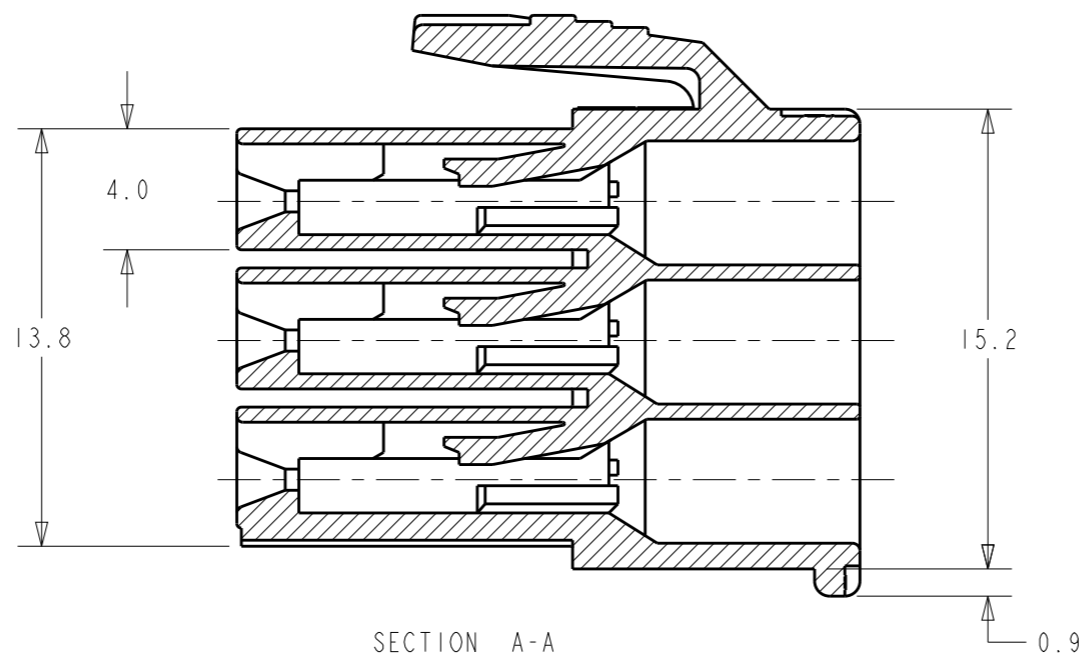
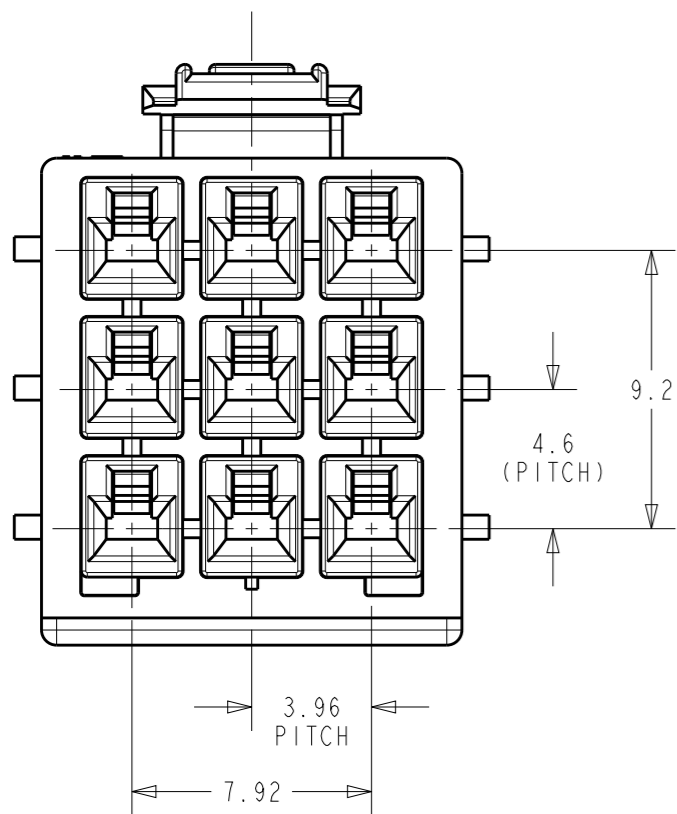


REVISIONS				
P	LTR	DESCRIPTION	DATE	APVD
B		REVISED PER ECR-19-009721	01JUL2019	M.G D.Z



- 1 THIS HOUSING ACCEPTS RECEPTACLE TERMINAL:  
 - REC CONTACT: 177915-□ (AWG #16-#20)  
 : 177914-□ (AWG #22-#26)
- 2 MATING CONN. P/N  
 - TAB CONTACT: 177917-□ (AWG #16-#20)  
 : 177916-□ (AWG #22-#26)
- 3 APPLICABLE DOUBLE LOCK PLATE: 177919-□  
 \* IT SHOULD BE USED CERTAINLY WHEN CABLE ASS'Y
- 4 GENERAL TOLERANCES: ±0.3
- 5 MATERIAL: PA66,UL94V-0,  
 COMPLY WITH GLOW WIRE REQUIREMENT FOR PARTS OF  
 NON-METALLIC MATERIAL SUPPORTING A CURRENT-CARRYING  
 CONNECTION DETAILED IN IEC 60335-1, SECTION 30(GWT)



COLOR	PART NUMBER
BLUE	2005254-6
YELLOW	2005254-4
NATURAL	2005254-1

THIS DRAWING IS A CONTROLLED DOCUMENT.		DWN SC KIM		TE Connectivity	
DIMENSIONS: mm		CHK BW KANG			
TOLERANCES UNLESS OTHERWISE SPECIFIED:		APVD JK SONG		NAME PDL 9P PLUG HSG 3.96MM T/R (GWT)	
0 PLC ±-		PRODUCT SPEC 108-5410		SIZE A3	
1 PLC ±-		APPLICATION SPEC 114-5175		CAGE CODE 00779	
2 PLC ±-		WEIGHT -		DRAWING NO. C-2005254	
3 PLC ±-		CUSTOMER DRAWING		RESTRICTED TO -	
4 PLC ±-		SCALE 4:1		SHEET 1 OF 1	
ANGLES ±-		REV B			
FINISH -					

单击下面可查看定价，库存，交付和生命周期等信息

[>>TE Connectivity\(泰科\)](#)