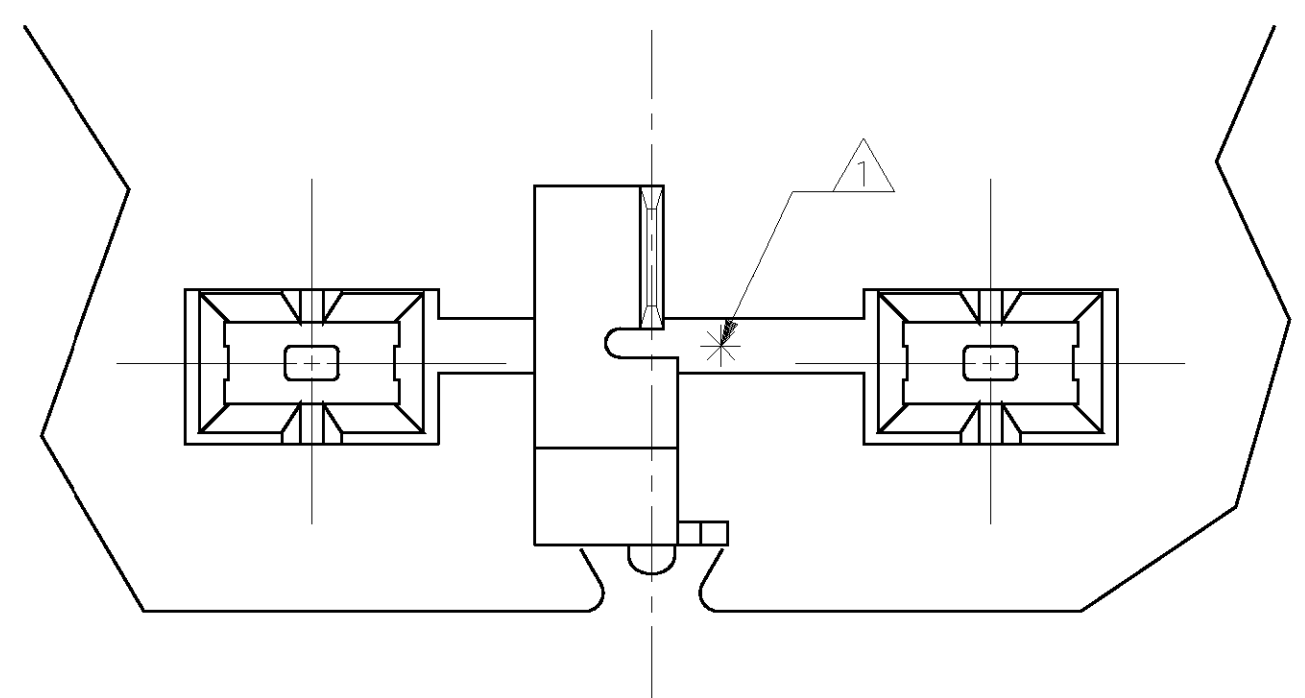
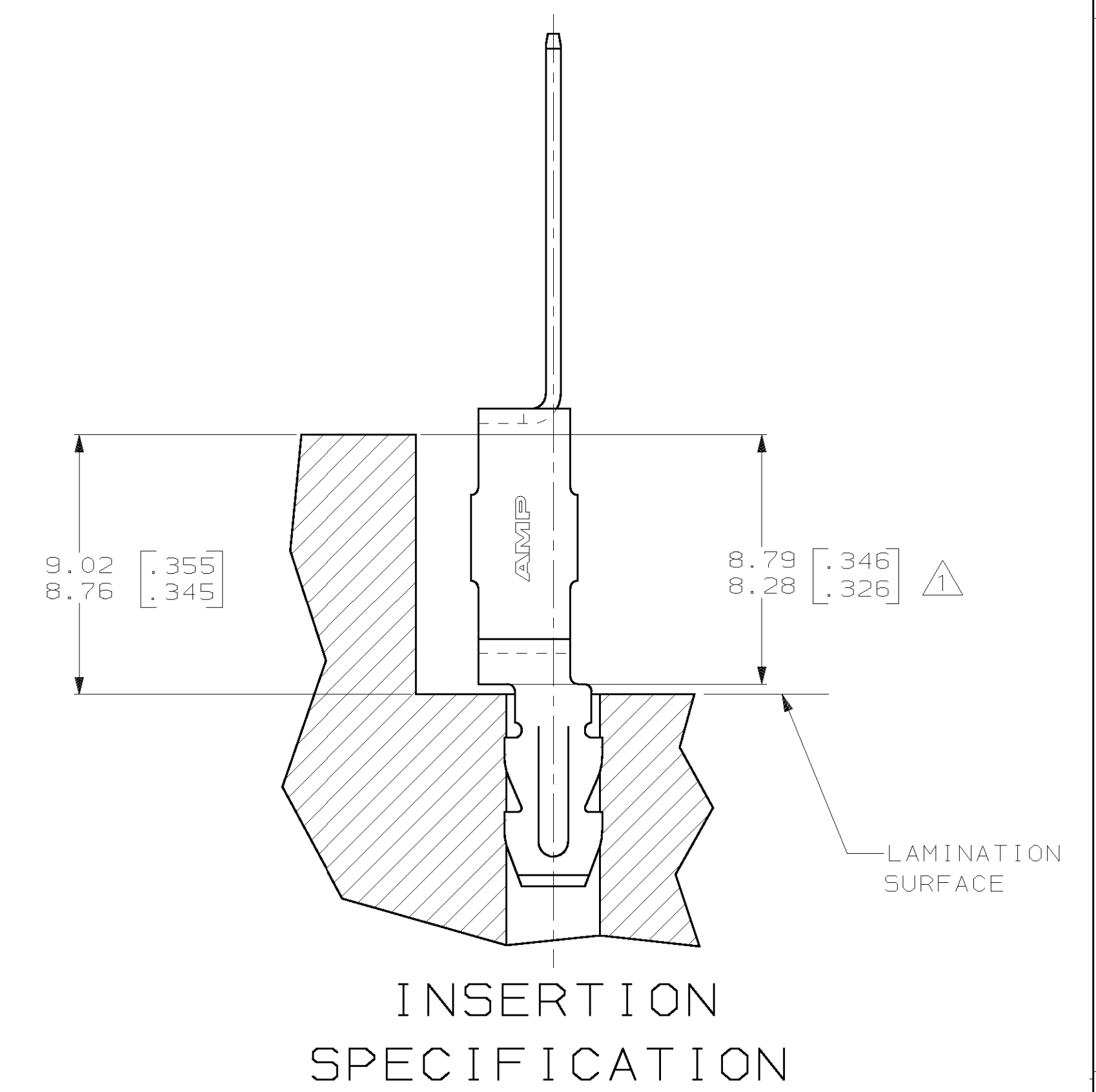
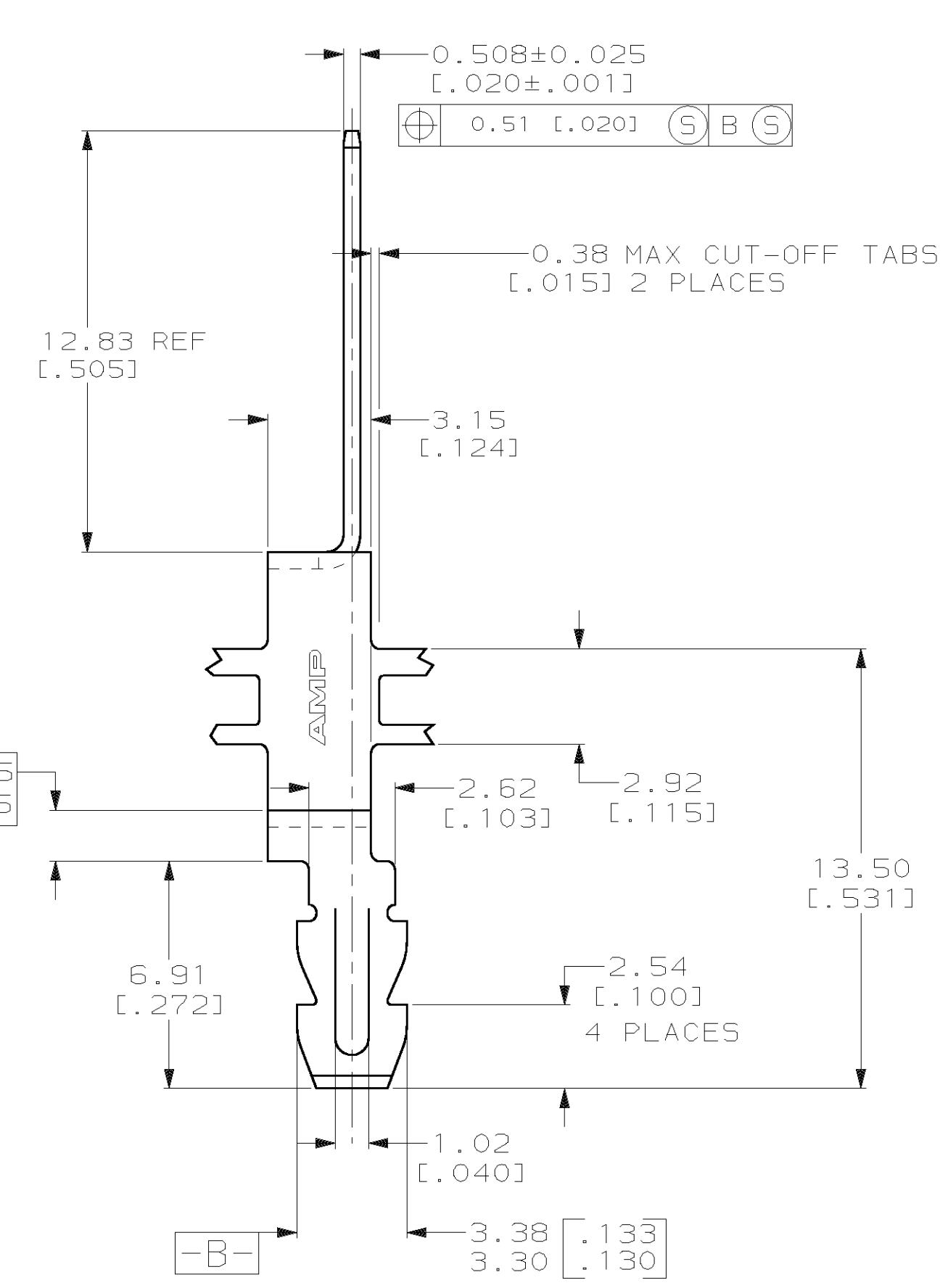
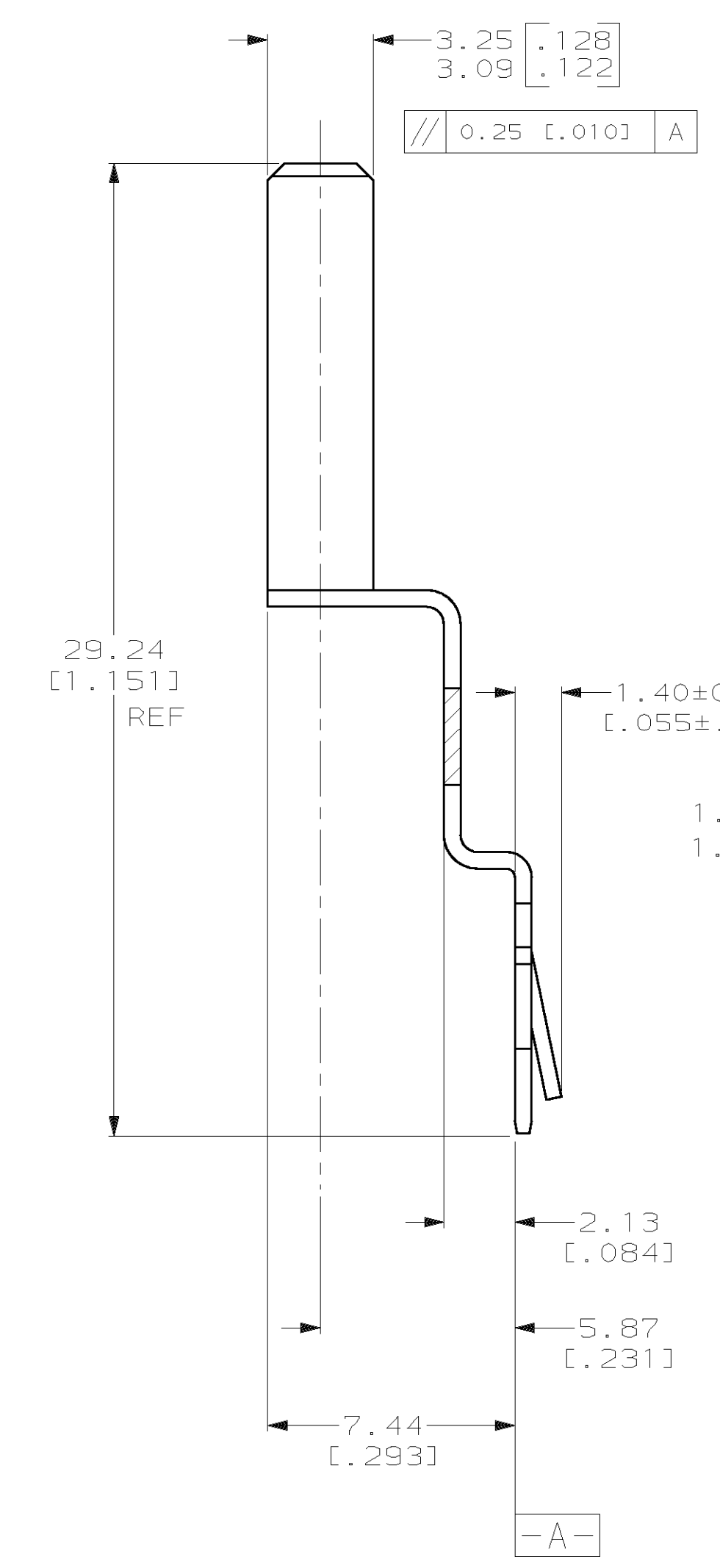
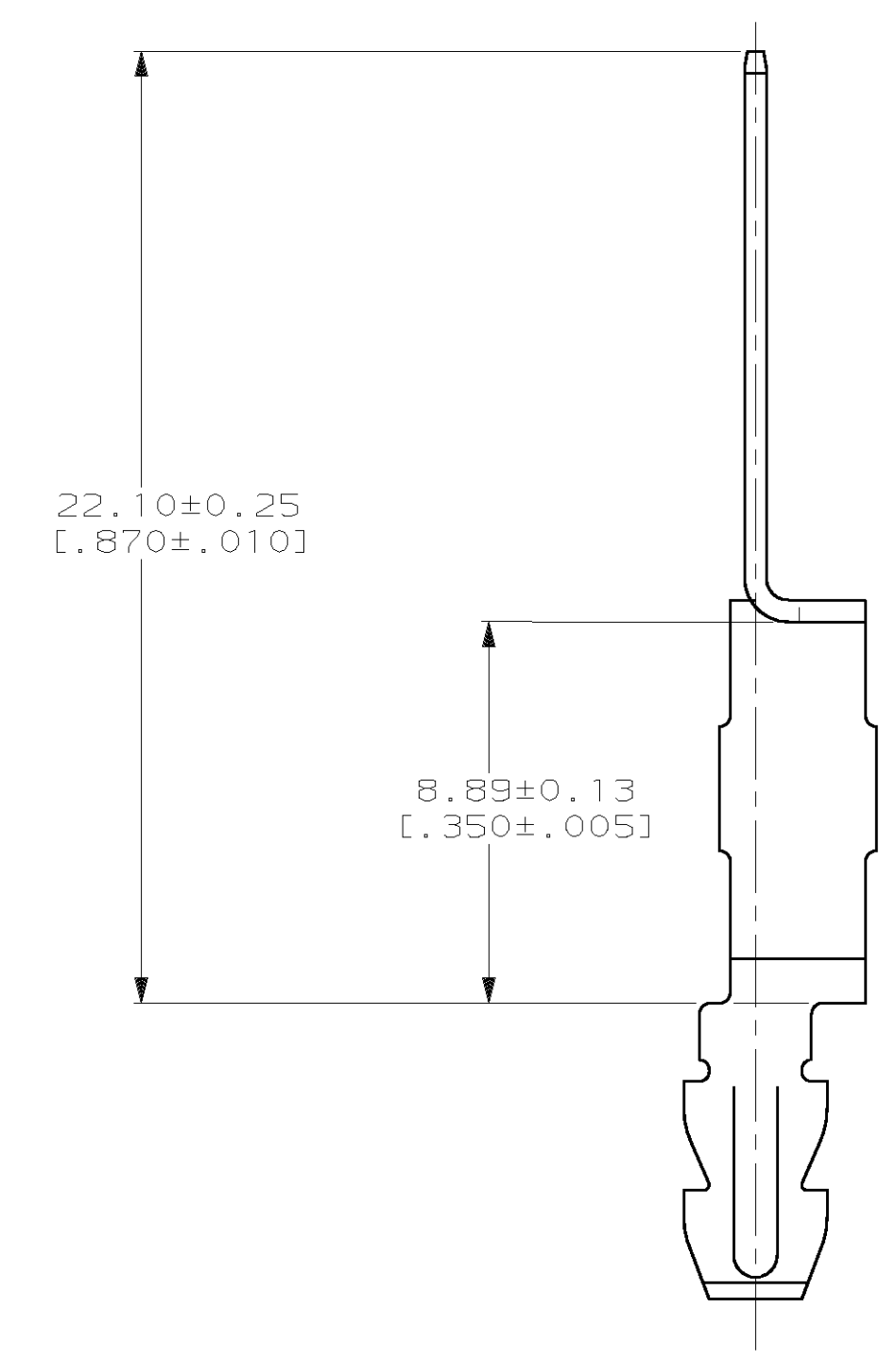
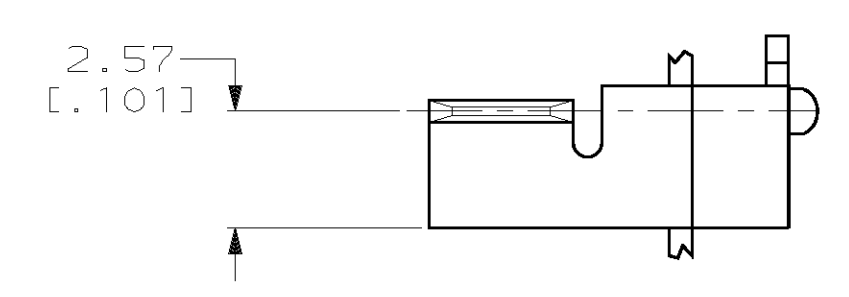


LOC		DIST		P		F		ZONE		LTR		REVISIONS	
DESCRIPTION	DATE	APPD											
C	REVISED LATCH HEIGHT 063A-0009-01	16JAN01	MF-KR										



- 1 POINT OF MEASUREMENT, LOCATED APPROXIMATELY AS SHOWN.
- 2 CONTINUOUS STRIP ON REELS WITH TERMINALS LOCATED ON 16.64±0.076 [.655±.003] CENTERS



DO NOT SCALE PRINT. UNLESS SPECIFIED DIMENSIONS IN mm [INCHES] TOLERANCES ON:		DR 26/SEP/95 R.GRZYBOWSKI	AMP Incorporated Harrisburg, PA 17105-3508	
2 PLC DEC ± 0.25 [.010]	3 PLC DEC ± -	CHK 26/SEP/95 M.S.FEHER		
MATERIAL 4M BRASS		APPD 26/SEP/95 NELSON E. NEFF	NAME	
FINISH 0.002032 [.000080] MIN PRE-TIN PER MIL-T-10727		APPD 26/SEP/95 TERRY L. SHUTTER	TERMINAL, GROUNDING, 3.18 [.125] TAB, MAG-MATE™	
APPLIC. SPEC -		PRODUCT SPEC -	SIZE D	CAGE CODE 00779
WEIGHT -		SCALE 6:1	DRAWING NO. C-63878	SHEET 1 OF 1

THIS DRAWING IS A CONTROLLED DOCUMENT FOR AMP INCORPORATED. IT IS SUBJECT TO CHANGE AND THE CONTROLLING ENGINEERING ORGANIZATION SHOULD BE CONTACTED FOR THE LATEST REVISION.

单击下面可查看定价，库存，交付和生命周期等信息

[>>TE Connectivity\(泰科\)](#)