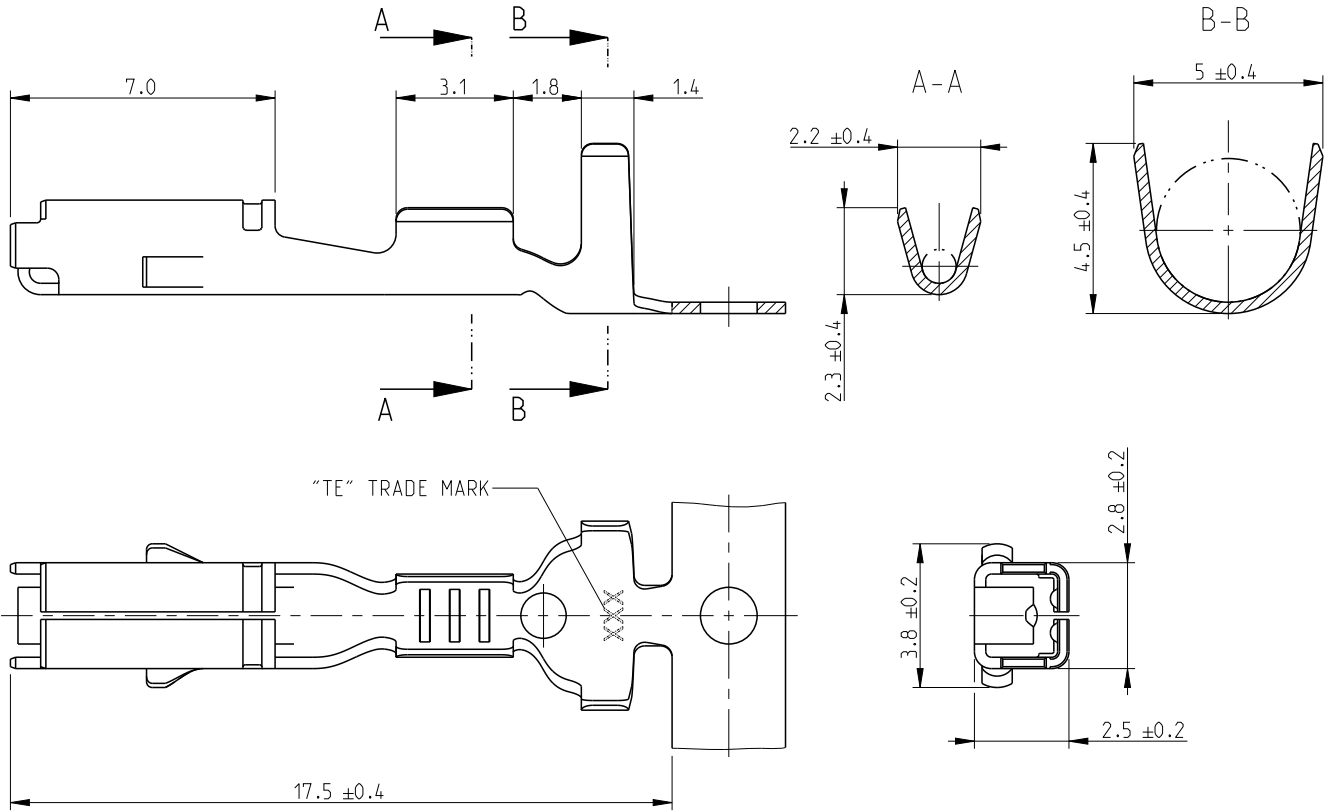


REVISIONS					
P	LTR	DESCRIPTION	DATE	DWN	APVD
	B1	Redrawn to Creo	06MAR2017	JJH	JP



1. DELIVERY STATE: WRAPPED UP ROLL WITH STEP BETWEEN TERMINALS = 11.9±0.2mm  
 STATO DI FORNITURA: AVVOLTI SU BOBINA CON PASSO TRA TERMINALI DI = 11.9±0.2mm


2. SUITABLE FOR SINGLE WIRE SEAL P/N 828904-1  
 ADDETTO PER GOMMINO TE 828904-1

CUSTOMER DRAWING FOR INFORMATION ONLY  
 DISEGNO PER CLIENTE SOLO PER RIFERIMENTO

B1

INS. DIA. RANGE (DIAM. ISOLANTE)	WIRE RANGE (RANGO FILO)
2	0.35 - 0.5mm <sup>2</sup>

PRE-TIN (PRE-STAGNATO)	BRASS (OTTONE)	282224-1
FINISH/COLOUR (FINITURE/COLORE)	MATERIAL (MATERIALE)	PART NUMBER

DIMENSIONS: mm	DWN D. CHIACCHIO 30AUG1994	MATERIAL	FINISH
TOLERANCES UNLESS OTHERWISE SPECIFIED:	CHK G. VIGNOLI 30AUG1994	 TE Connectivity	
0 PLC ± 1 PLC ± 2 PLC ± 3 PLC ± 4 PLC ± ANGLES ±2°	APVD -		
	PRODUCT SPEC 108-20117	SIZE A 4	CAGE CODE -
	APPLICATION SPEC 114-20067	DRAWING NO C=282224	RESTRICTED TO -
	WEIGHT -	CUSTOMER DRAWING	
		SCALE 5:1	SHEET 1 OF 1
			REV B1

20

RELEASED FOR PUBLICATION

ALL RIGHTS RESERVED.

BY -

© COPYRIGHT 20

单击下面可查看定价，库存，交付和生命周期等信息

[>>TE Connectivity\(泰科\)](#)