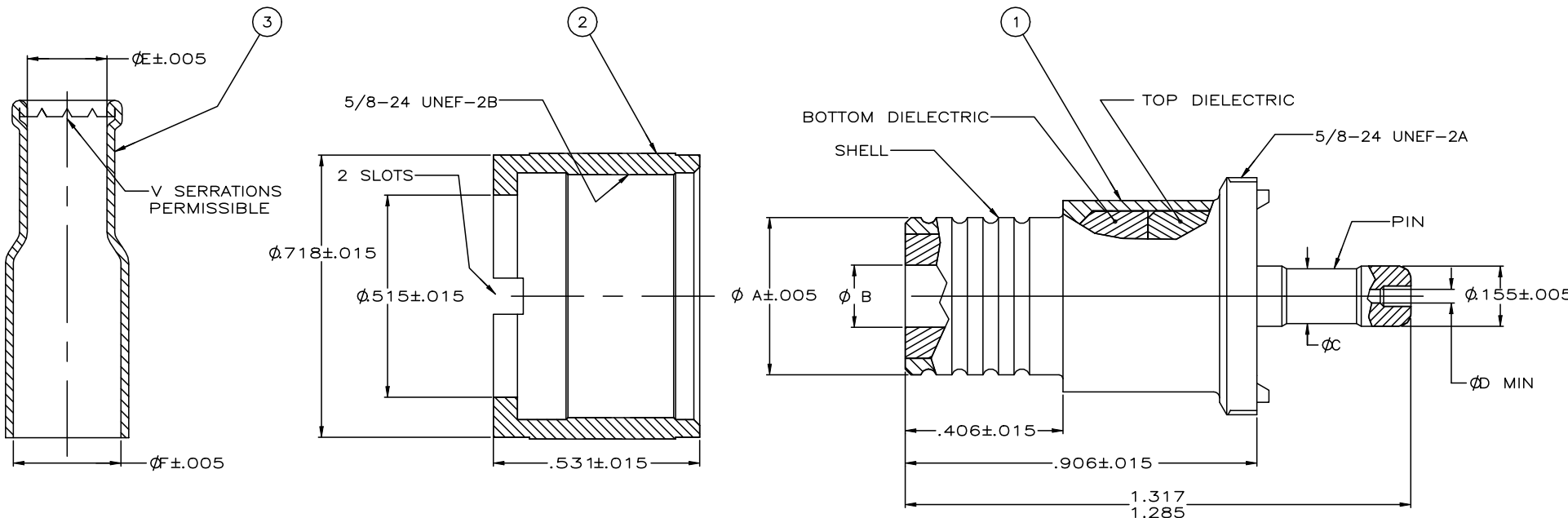


REVISIONS					
P	LTR	DESCRIPTION	DATE	DWN	APVD
	AJ	REVISED PER ECR-21-104090	27MAY2021	ED	WH

1. BELDEN 8279 & AMPHENOL 621-186.



OBSOLETE	-	-	-	-	-	-	-	-	-	-	-	-	-	-	-	-	-	-	-	-	4-330830-0
OBSOLETE	-	-	-	-	-	-	-	-	-	-	-	-	-	-	-	-	-	-	-	-	3-330830-9
OBSOLETE	-	-	-	-	-	-	-	-	-	-	-	-	-	-	-	-	-	-	-	-	3-330830-8
OBSOLETE	-	-	-	-	-	-	-	-	-	-	-	-	-	-	-	-	-	-	-	-	3-330830-6
OBSOLETE	-	-	-	-	-	-	-	-	-	-	-	-	-	-	-	-	-	-	-	-	3-330830-5
OBSOLETE	-	-	-	-	-	-	-	-	-	-	-	-	-	-	-	-	-	-	-	-	3-330830-4
OBSOLETE	-	-	-	-	-	-	-	-	-	-	-	-	-	-	-	-	-	-	-	-	3-330830-3
OBSOLETE	-	.875	.448	.425	.088	-	.295	.405	BELDEN 8214	330915	330914	2-330913-8	3-330830-1	-	-	-	-	-	-	-	3-330830-0
OBSOLETE	-	-	-	-	-	-	-	-	-	-	-	-	2-330830-9	-	-	-	-	-	-	-	2-330830-9
OBSOLETE	-	-	-	-	-	-	-	-	-	-	-	-	2-330830-8	-	-	-	-	-	-	-	2-330830-8
OBSOLETE	-	-	-	-	-	-	-	-	-	-	-	-	2-330830-7	-	-	-	-	-	-	-	2-330830-7
OBSOLETE	-	-	-	-	-	-	-	-	-	-	-	-	2-330830-6	-	-	-	-	-	-	-	2-330830-6
OBSOLETE	.705 OZ	.875	.277	.205	.057	.141	.130	.233	RG-58/U	9-330915-1	330914	2-330913-3	2-330830-4	-	-	-	-	-	-	-	2-330830-4
OBSOLETE	-	-	-	-	-	-	-	-	-	-	-	-	2-330830-3	-	-	-	-	-	-	-	2-330830-3
OBSOLETE	.705 OZ	.875	.340	.340	.034	.141	.215	.262	WE-724, BELDEN 8281	2-330915-1	330914	2-330913-1	2-330830-2	-	-	-	-	-	-	-	2-330830-2
OBSOLETE	-	.875	.448	.425	.088	-	.295	.405	RG-8, RG-8A, RG-213/U	330915	330914	330913	330830	-	-	-	-	-	-	-	330830
WEIGHT	G	F	E	D	C	B	A	CABLE SIZE	FERRULE QTY=1	COLLAR QTY=1	PLUG ASSY QTY=1	PART NUMBER									

ITEM	MATERIAL AND FINISH
1	COPPER PER QQ-C-576 SILVER PL PER QQ-S-365 .0002 MIN. EXT THK.
2	BRASS PER QQ-B-626 SILVER PL PER QQ-S-365 .0002 MIN. EXT THK.
3	PIN: BRONZE PER ASTM-B-140 SILVER PL PER QQ-S-365 .0002 MIN. EXT THK. DIELECTRIC, TOP & BOTTOM: POLYPROPYLENE (GENERAL PURPOSE) SHELL: BRASS PER QQ-B-626 SILVER PL PER QQ-S-365 .0002 MIN. EXT THK.

THIS DRAWING IS A CONTROLLED DOCUMENT.

DIMENSIONS: INCHES	TOLERANCES UNLESS OTHERWISE SPECIFIED: 0 PLC ± - 1 PLC ± - 2 PLC ± - 3 PLC ± .008 4 PLC ± -	FINISH: SEE CHART	ANGLES: ± 5°	MATERIAL: SEE CHART	FINISH: SEE CHART
-----------------------	--	----------------------	-----------------	------------------------	----------------------

DWN M. O'BRINE 15DEC99	CHK J. HAVENER 15DEC99	APVD J. HAVENER 15DEC99	NAME J. HAVENER
PRODUCT SPEC			
APPLICATION SPEC			
SIZE	CAGE CODE	DRAWING NO	RESTRICTED TO
A2	00779	C=330830	-
CUSTOMER DRAWING			SCALE NTS
SHEET 1 of 1		REV AJ	

TE Connectivity
COAXICON CONNECTOR
UHF PLUG

单击下面可查看定价，库存，交付和生命周期等信息

[>>TE Connectivity\(泰科\)](#)