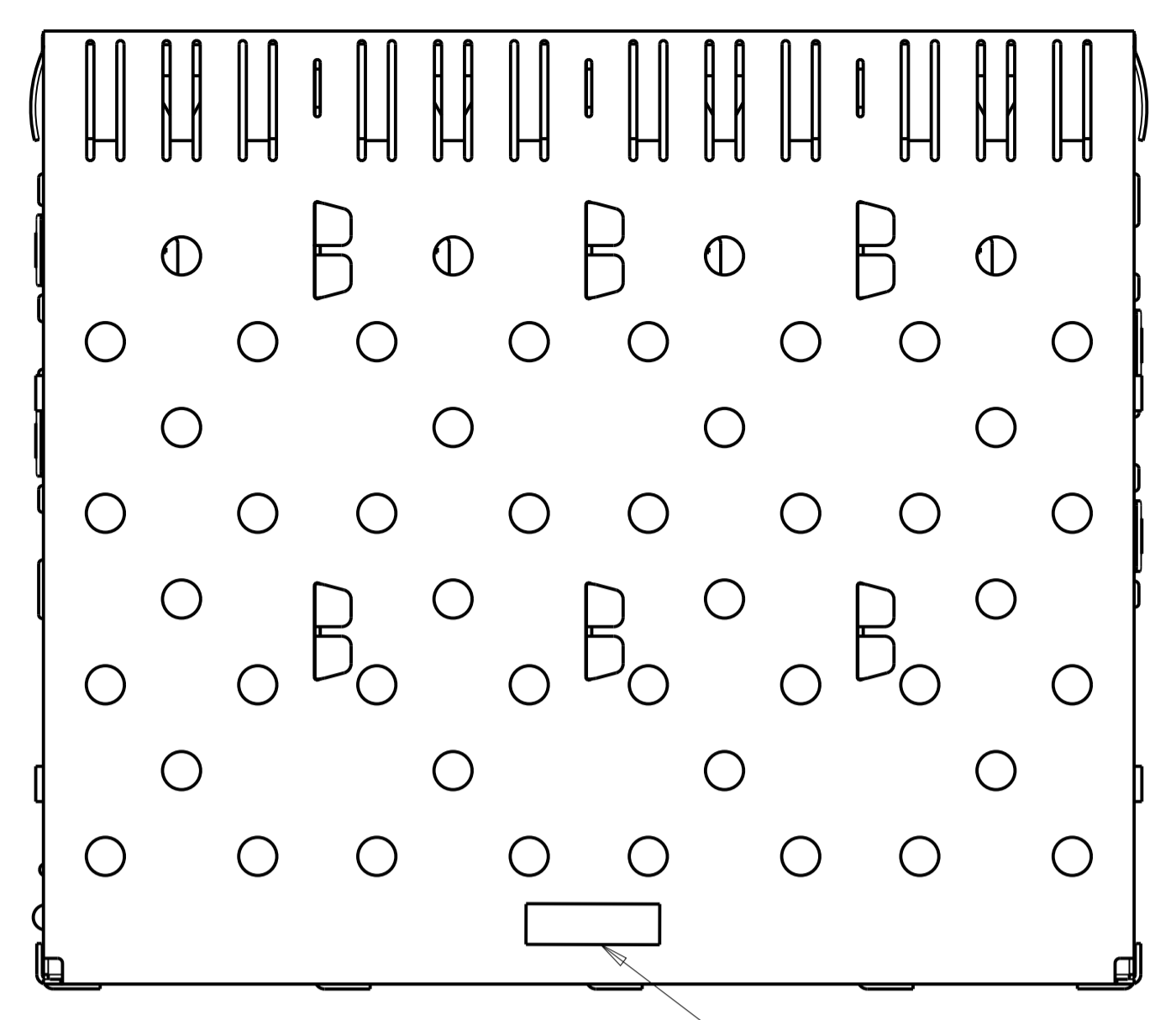
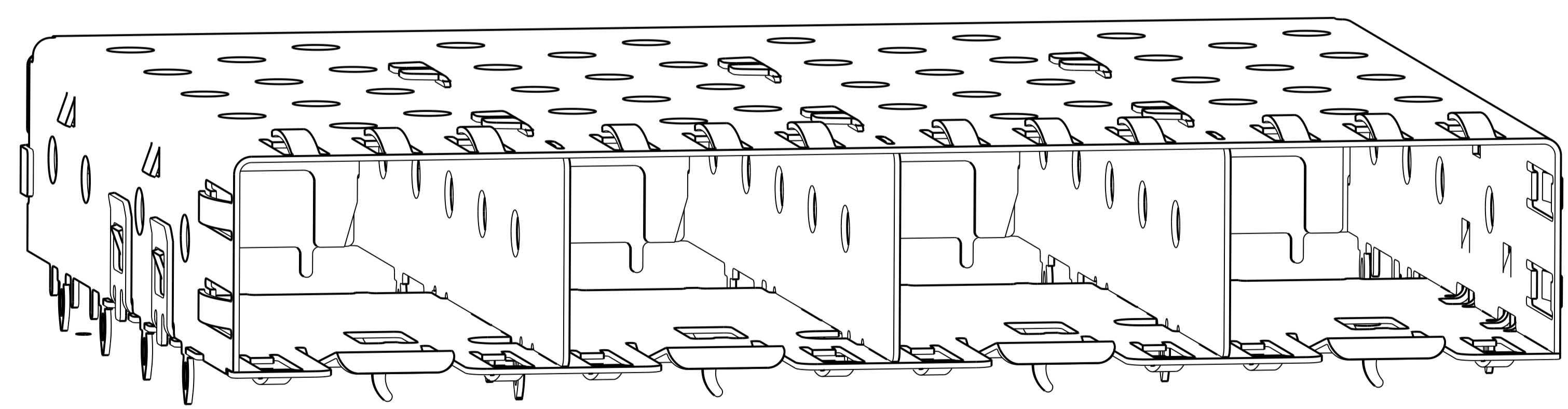
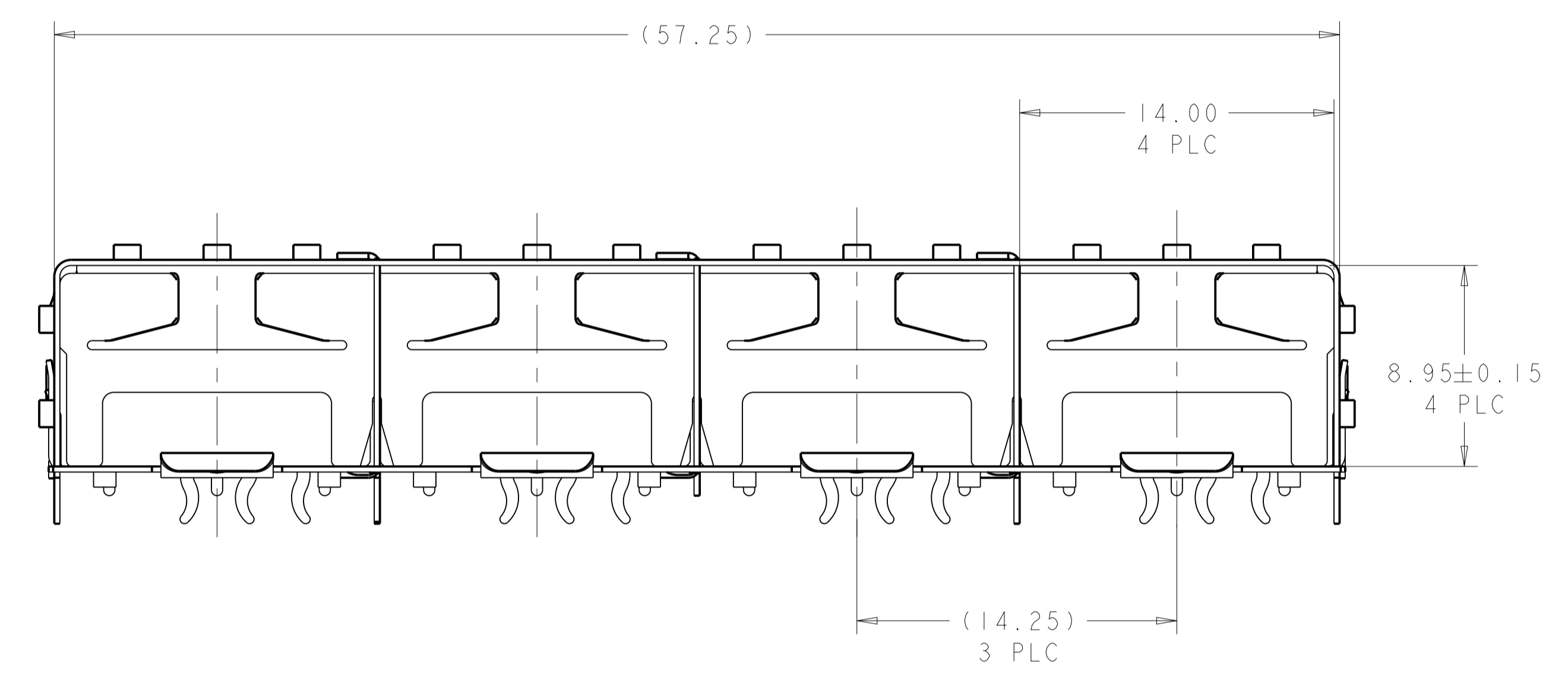
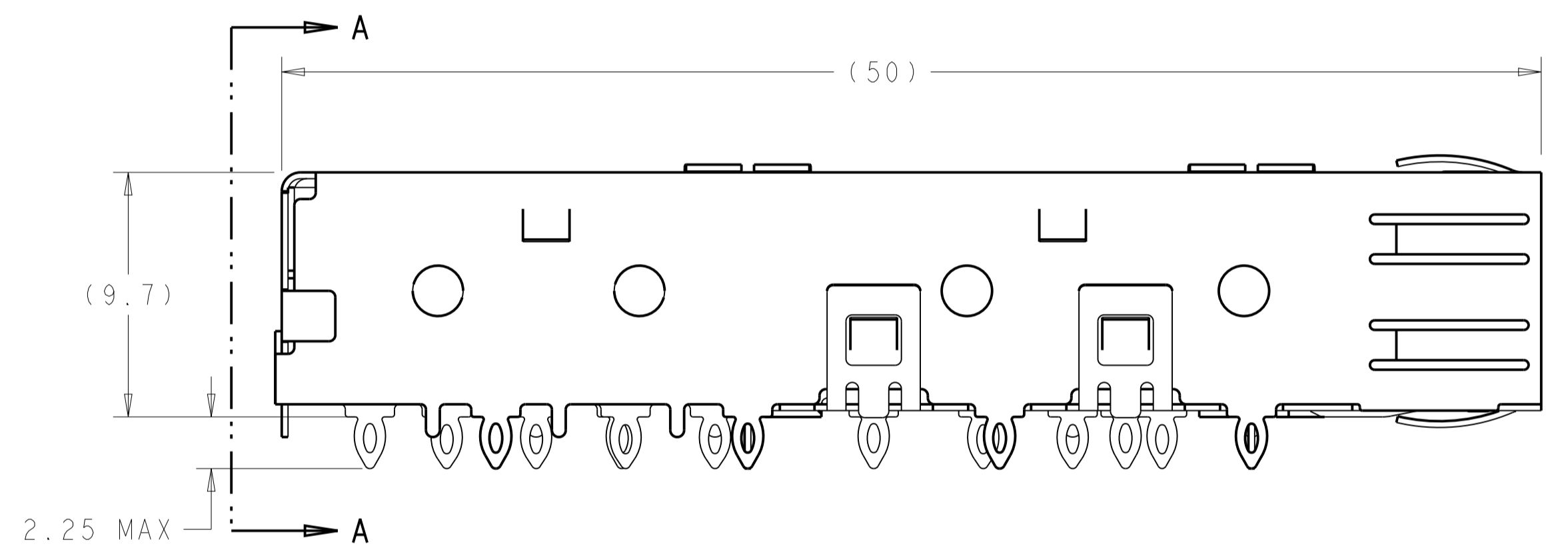


LOC	DIST	REVISIONS					
		REV	LTN	DESCRIPTION	DATE	DWN	APVD
GP	00	G1		REVISED PER ECO-11-003319	01APR2011	JY	CW
		H		REVISED PER ECO-12-011010	13JUN2012	JY	AC
		J		REVISED PER ECO-14-000886	20FEB2014	JW	SH
		J1		REVISED PER ECO-14-010419	11JUL2014	JW	SH

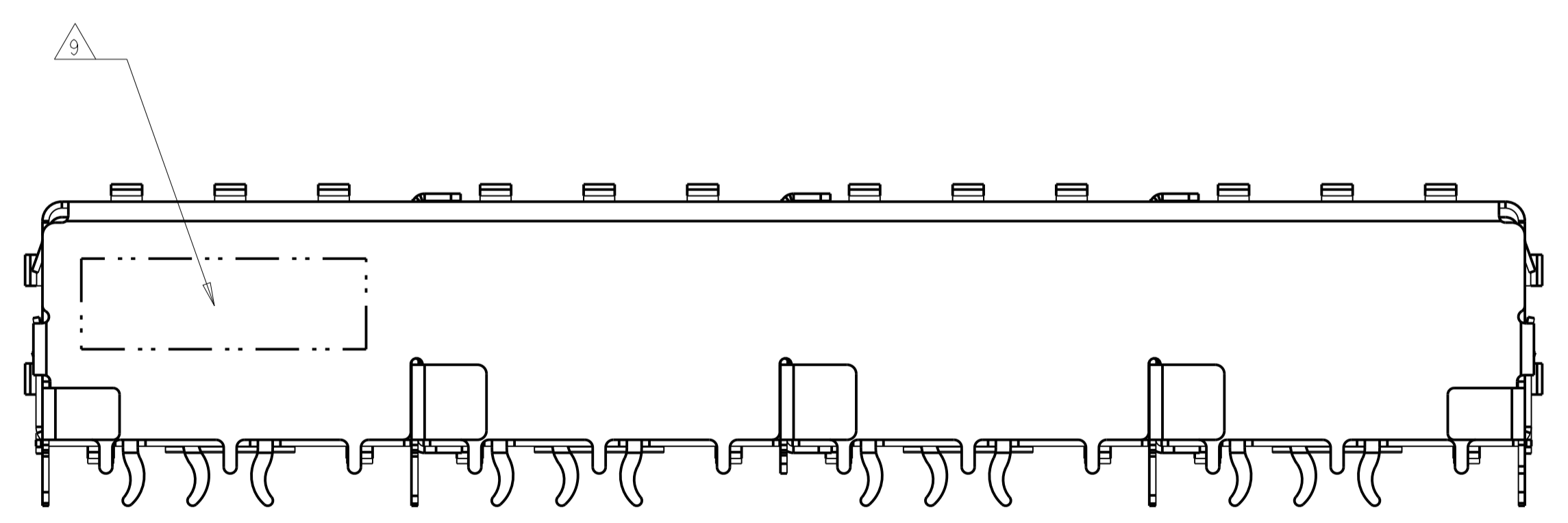


SCALE 3:1 △7

- △1 MATERIAL: 0.25 THICK COPPER ALLOY.
- △2 FINISH: TIN PLATING PER ASTM B 545, 1.25um MINIMUM THICKNESS ALL OVER NICKEL FLASH PER QQ-N-290. NONPLATED EDGES PERMISSIBLE.
- △3 PADS AND VIAS CHASSIS GROUND.
- △4 DATUM AND BASIC DIMENSION ESTABLISHED BY CUSTOMER.
- △5 REFERENCE APPLICATION SPEC 114-13120, HOLE A, FOR RECOMMENDED DRILL HOLE DIAMETER AND PLATING THICKNESSES.
- △6 REFERENCE APPLICATION SPEC 114-13120, HOLE B, FOR RECOMMENDED DRILL HOLE DIAMETER AND PLATING THICKNESSES.
- △7 COMPANY LOGO IN APPROXIMATE AREA SHOWN
- △8 PATTERN REPEATS FOR EACH PORT. SPACING BETWEEN PORTS IS 14.25 mm.
- △9 DATE CODE AND PART NUMBER IN APPROXIMATE AREA SHOWN.
- △10 MATERIAL: 0.25 THICK NICKEL SILVER ALLOY(NO PLATING).



1658744-1&-3  
 1X4 CAGE ASSEMBLY  
 SCALE 6:1



SECTION A-A

NO	△10	1X4	1658744-3
△2	△1	1X4	1658744-1
FINISH	MATERIAL	POSITION	PART NUMBER

THIS DRAWING IS A CONTROLLED DOCUMENT.		DWN	M. SHIRK	04JUN03	<b>STE</b> TE Connectivity
DIMENSIONS:		CHK	J. KOPPENHEFFER	06MAY04	
TOLERANCES UNLESS OTHERWISE SPECIFIED:		APVD	M. WALMSLEY	06MAY04	
mm		NAME	CAGE ASSEMBLY, 1X4 PRESS FIT, SFP		
0 PLC	±	PRODUCT SPEC	108-1950		
1 PLC	±0.1	APPLICATION SPEC	114-13120		
2 PLC	±	SIZE	CAGE CODE	DRAWING NO	RESTRICTED TO
3 PLC	±	WEIGHT	A100779	C=1658744	
4 PLC	±	CUSTOMER DRAWING	SCALE 5:1		SHEET 1 OF 2
ANGLES	±	REV J1			



单击下面可查看定价，库存，交付和生命周期等信息

[>>TE Connectivity\(泰科\)](#)