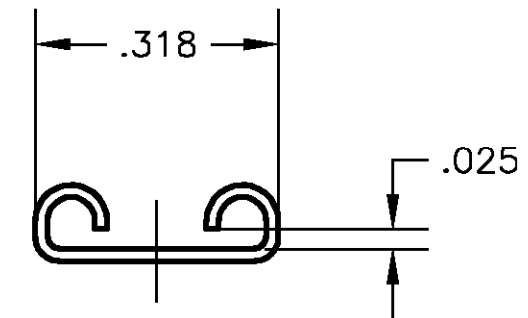
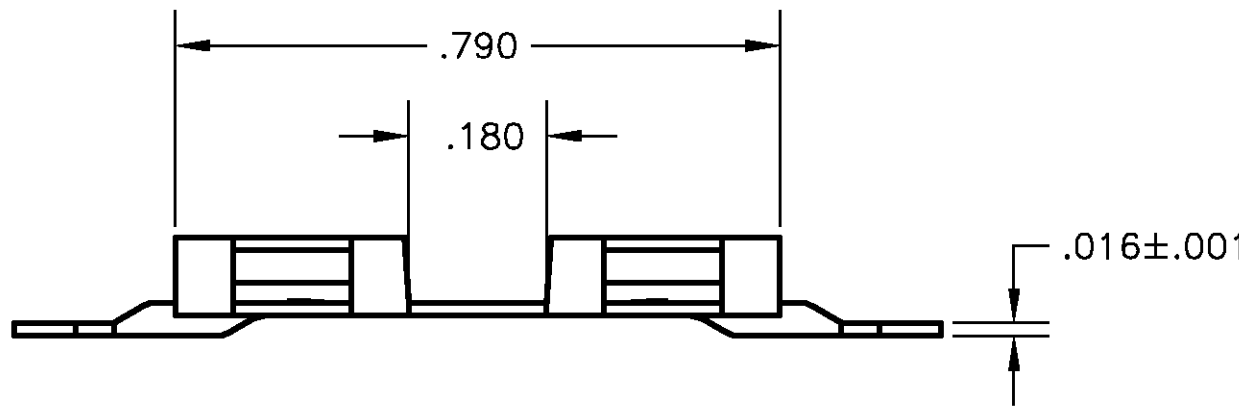
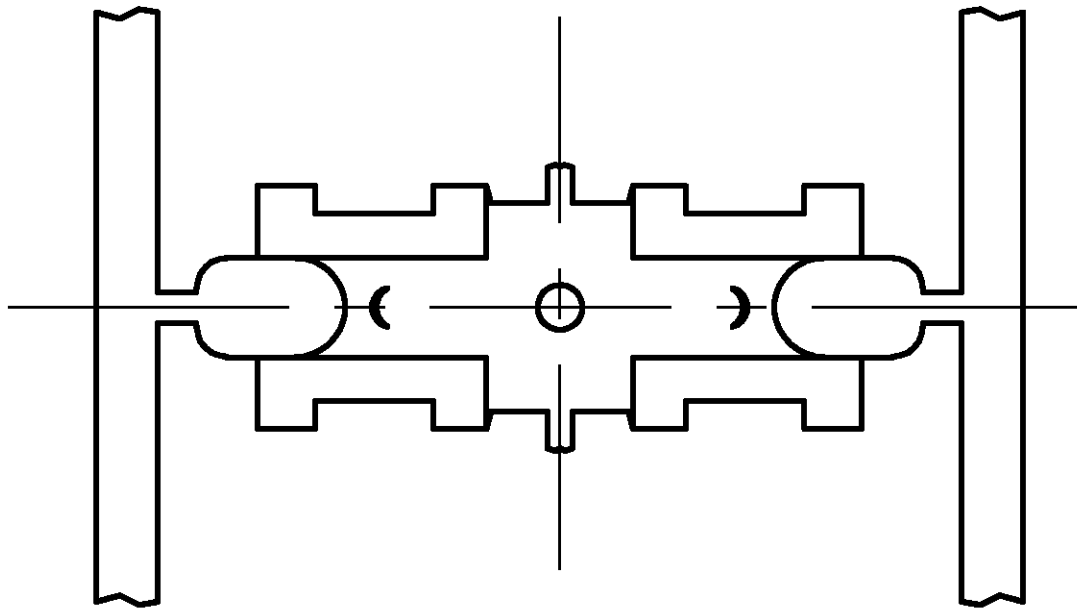


THIS DRAWING IS UNPUBLISHED. RELEASED FOR PUBLICATION
 © COPYRIGHT BY TYCO ELECTRONICS CORPORATION. ALL RIGHTS RESERVED.

LOC	DIST	REVISIONS					
		P	LTR	DESCRIPTION	DATE	DWN	APVD
AF	50	J		REDRAWN PER 0G3A-0290-01	20APR01	JR	PD

1 TO BE MOUNTED IN .123±.002 DIA HOLE.



62172-2
PART NO.

THIS DRAWING IS A CONTROLLED DOCUMENT.		DWN JR RUTH 20APR01	Tyco Electronics Corporation Harrisburg, PA. 17057			
DIMENSIONS: INCHES	TOLERANCES UNLESS OTHERWISE SPECIFIED: 0 PLC ± - 1 PLC ± - 2 PLC ± - 3 PLC ± .015 4 PLC ± - ANGLES ± -	CHK MS FEHER 20APR01	NAME RECEPTACLE, 250 X 032 FOR P.C.BOARD			
		APVD P DESANTIS 20APR01				
MATERIAL H04 BRASS	FINISH TIN OVER COPPER	PRODUCT SPEC -	SIZE A3	CAGE CODE 00779	DRAWING NO C-62172	RESTRICTED TO -
		WEIGHT -	CUSTOMER DRAWING		SCALE 4:1	SHEET 1 OF 1

单击下面可查看定价，库存，交付和生命周期等信息

[>>TE Connectivity\(泰科\)](#)