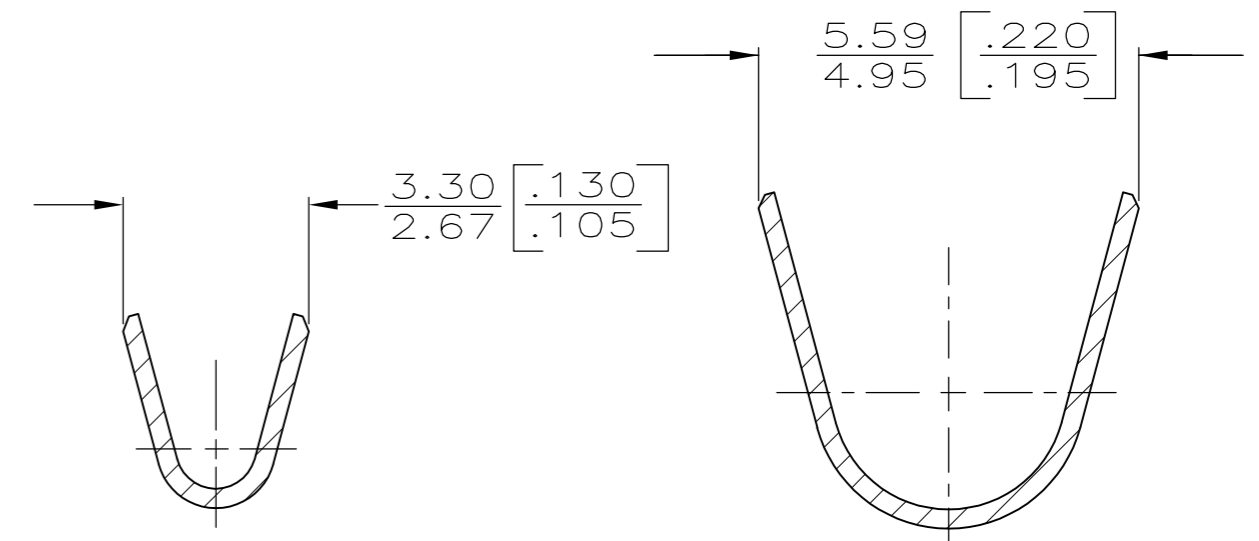
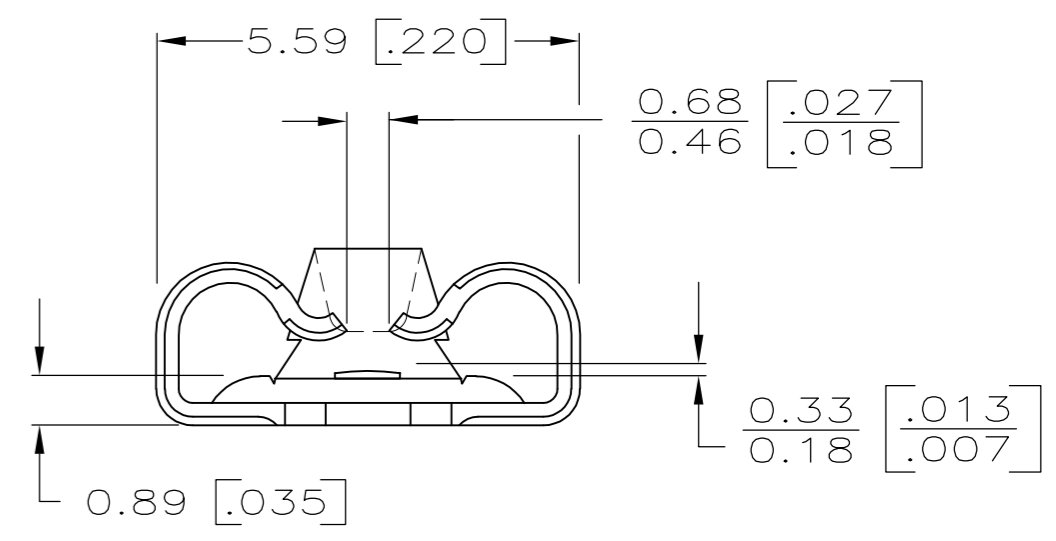
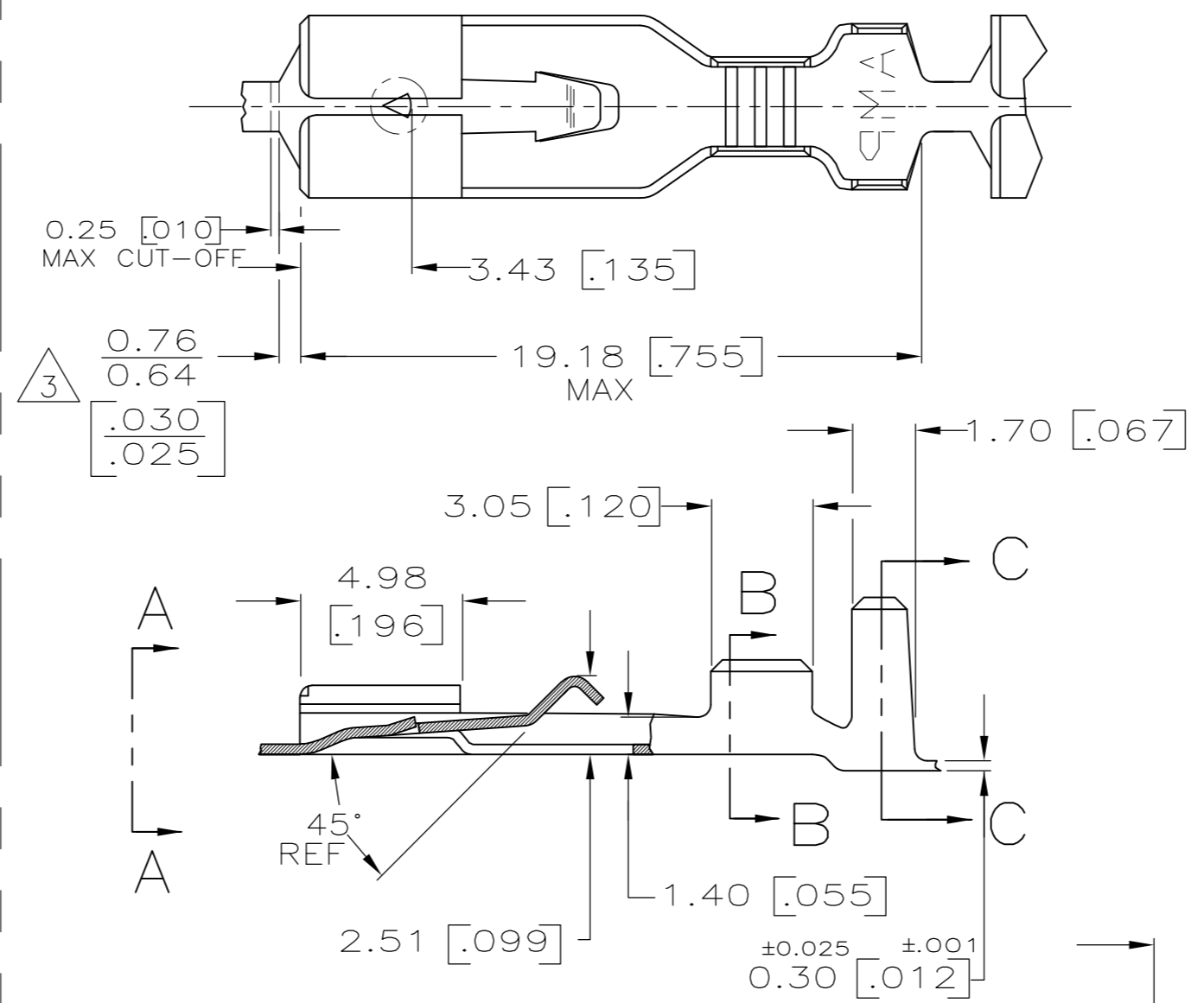
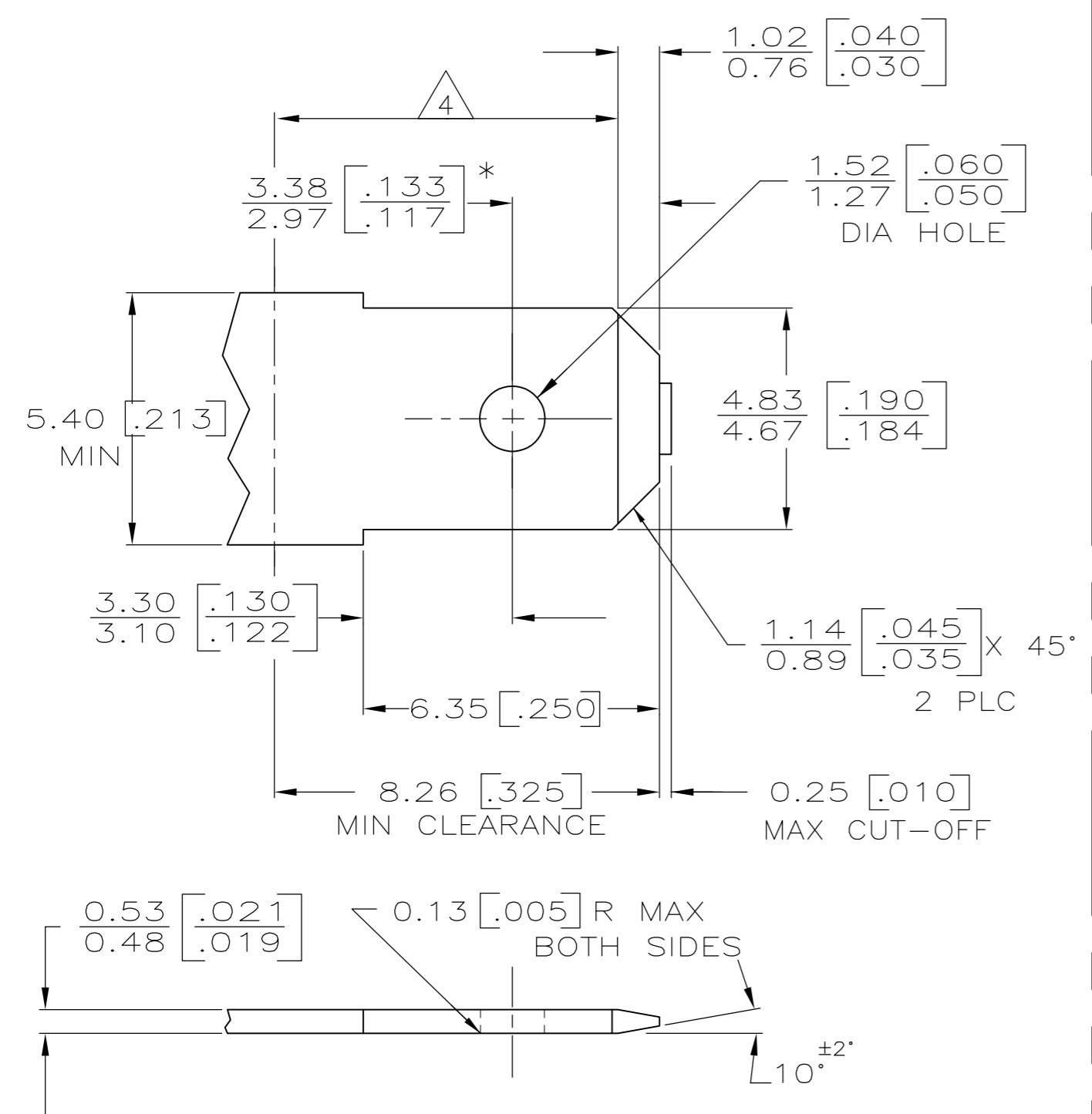


THIS DRAWING IS UNPUBLISHED. RELEASED FOR PUBLICATION
 © COPYRIGHT - By - ALL RIGHTS RESERVED.

LOC		DIST		REVISIONS			
P	LTR	DESCRIPTION		DATE	DWN	APVD	
AF	50	N		REVISED PER ECR-13-011489	02DEC2013	KH	PD

SUGGESTED MATING TAB

- 1 DIMENSIONS IN BRACKETS ARE IN INCHES.
- 2 CONTINUOUS STRIP ON REELS.
- 3 THE $\frac{0.76}{0.64}$ DIMENSION MUST BE MAINTAINED BY THE APPLICATOR CUT-OFF TO ENSURE THE PROPER LOCKING FUNCTION OF THE RECEPTACLE.



- 1 MATL: #2 HARD BRASS OR NICKEL PLATE STEEL.
- 2 NO BURRS PERMISSIBLE AT HOLE.
- 3 TIN PLATING IS REQUIRED ON BRASS WHEN TERMINAL TEMPERATURE IS OVER 225° F.
- 4 MUST BE FLAT WITHIN 0.076[.003] OVER THIS LENGTH.
- 5 HOLE MUST BE SYMMETRICAL ABOUT TAB & WITHIN 0.076[.003].
- * TO BE USED ONLY WHEN SHOULDER IS ELIMINATED.

2.29 - 3.30 [.090 - .130]		0.5 - 1.4mm ² [20-16]		63232-1	
INSULATION RANGE		WIRE SIZE		PART NO	
THIS DRAWING IS A CONTROLLED DOCUMENT.			DWN 2/28/87		
DIMENSIONS: mm [INCHES]			JR RUTH 3/9/87		
TOLERANCES UNLESS OTHERWISE SPECIFIED:			CHK G YETTER		
0 PLC ± -			APVD J GILLESPIE 3/9/87		
1 PLC ± -			NAME		
2 PLC ± -			RECEPTACLE, POSITIVE LOCK, .187 SERIES		
3 PLC ± 0.25 [.010]			SIZE		
4 PLC ± -			CAGE CODE		
ANGLES ± -			DRAWING NO		
FINISH			RESTRICTED TO		
MATERIAL BRASS			WEIGHT -		
PRE-TIN			A2 00779 C=63232		
CUSTOMER DRAWING			SCALE NTS SHEET 1 OF 1 REV N		

单击下面可查看定价，库存，交付和生命周期等信息

[>>TE Connectivity\(泰科\)](#)