

Terminals and Splices

POSITIVE LOCK EX Series Receptacles

250 Series (Straight-Type)

Terminals

Material & Finish :

Tin-plated brass

Product Specification :

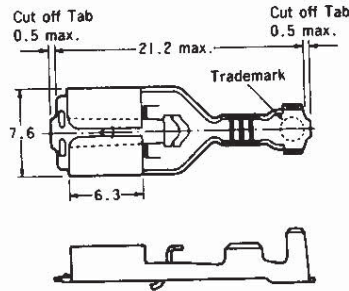
108-5437

Application Specification :

144-5195

Instruction Sheet :

411-5691



Wire Range		Wire Ins. Dia.	Part Number		Part Number of Hand Tool	Part Number of Applicators	
AWG#	mm ²		Strip	Loose Piece		Desk Top Type	For AL-15/40
22-18	0.31-0.89	1.5-3.1	179973-1	179988-1	234618-1	1385091-2	715882-1
18-14	0.76-2.09	2.2-3.34	179974-1	179989-1	234619-1	715760-2	715881-1
15-10	1.75-5.4	3.0-4.3	179975-1	—	—	715802-2	715880-1

Housing (1-position)

Material : UL94V-0 rated,
Nylon

Part Number :

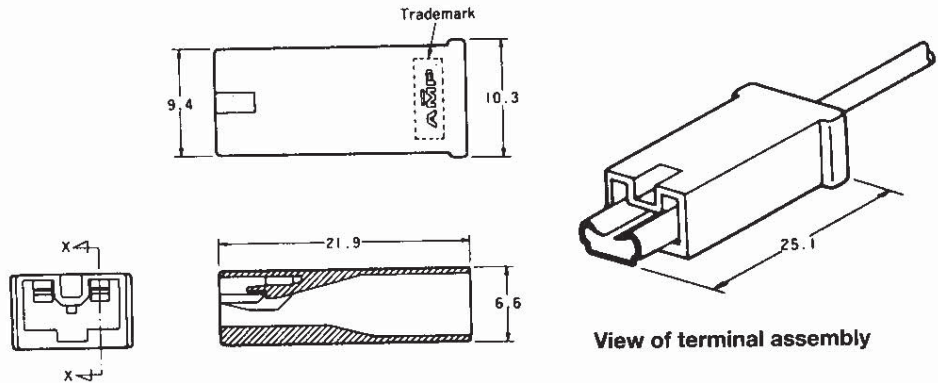
179970-1 (Natural)

179970-2 (Red)

179970-4 (Yellow)

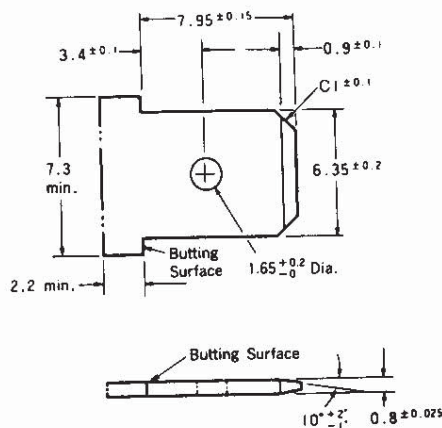
179970-6 (Blue)

179970-9 (Black)



View of terminal assembly

Applicable Tab Dimension



This EX Series connectors can be used for many applications. For details, contact our Sales Department.

单击下面可查看定价，库存，交付和生命周期等信息

[>>TE Connectivity\(泰科\)](#)