

4

3

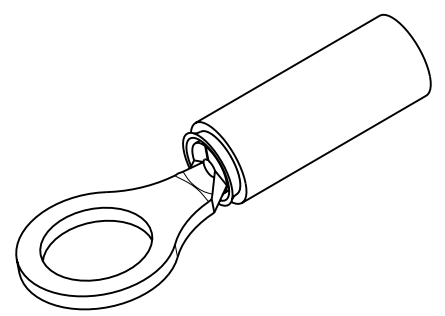
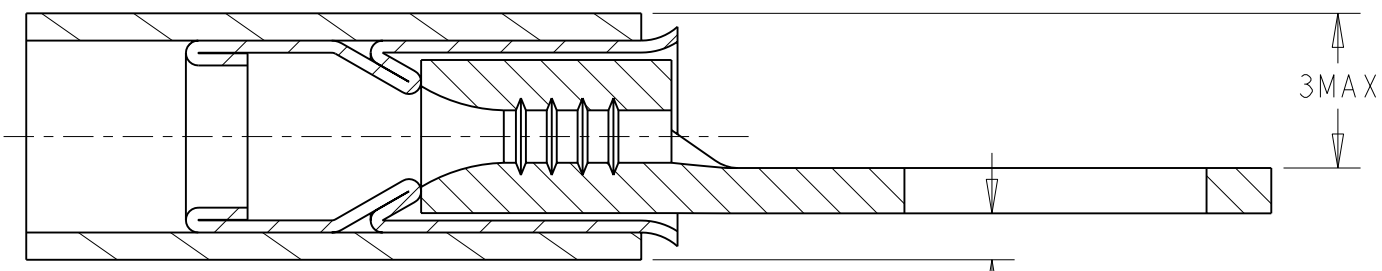
2

1

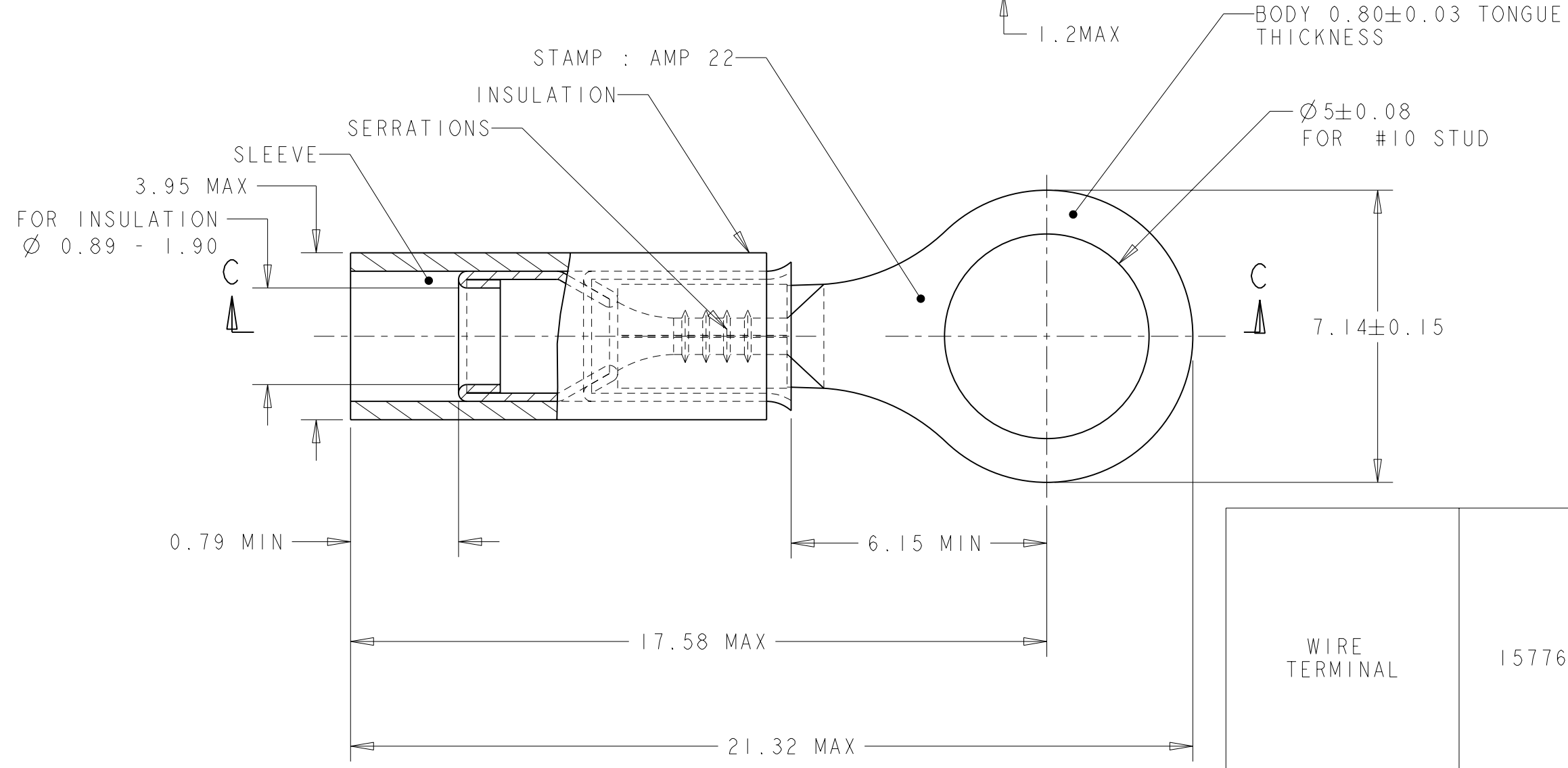
THIS DRAWING IS UNPUBLISHED. RELEASED FOR PUBLICATION 20
 © COPYRIGHT 20 BY TYCO ELECTRONICS CORPORATION. ALL RIGHTS RESERVED.

LOC	DIST	REVISIONS			
P	LTR	DESCRIPTION	DATE	DWN	APVD
F	00	B	ECR 07-025006	23OCT2007	JT GR

COUPE C-C



SCALE 3:1



WIRE TERMINAL	1577621-1	BODY : COPPER ANNEALED FINISH : NICKEL PLATED
		SLEEVE : COPPER ANNEALED FINISH : NICKEL PLATED
		INSULATION : PEEK COLOR : BROWN
DESCRIPTION	PART NUMBER	MATERIAL & FINISH

THIS DRAWING IS A CONTROLLED DOCUMENT FOR TYCO ELECTRONICS CORPORATION IT IS SUBJECT TO CHANGE AND THE CONTROLLING ENGINEERING ORGANIZATION SHOULD BE CONTACTED FOR THE LATEST REVISION.		DWN JJ. DESPRETZ 18OCT2005 CHK G. ROBERT 18OCT2005 APVD Y. PETRONIN 18OCT2005	tyco Electronics TYCO ELECTRONICS France SAS BP 30039, 95301 CERGY-PONTOISE Cedex
DIMENSIONS: mm 	TOLERANCES UNLESS OTHERWISE SPECIFIED: 0 PLC ±- 1 PLC ±0.30 2 PLC ±- 3 PLC ±- 4 PLC ±- ANGLES ±5 FINISH SEE TABLE	PRODUCT SPEC 108-15356 APPLICATION SPEC 114-15102 WEIGHT 0,61 gr	NAME TERMINAL, PEEK PIDG STRATO, 24-22 AWG SIZE A3 CAGE CODE 00779 DRAWING NO C-1577621 RESTRICTED TO -
MATERIAL SEE TABLE	FINISH SEE TABLE	WEIGHT 0,61 gr	CUSTOMER DRAWING SCALE 8:1 SHEET 1 OF 1 REV B

单击下面可查看定价，库存，交付和生命周期等信息

[>>TE Connectivity\(泰科\)](#)