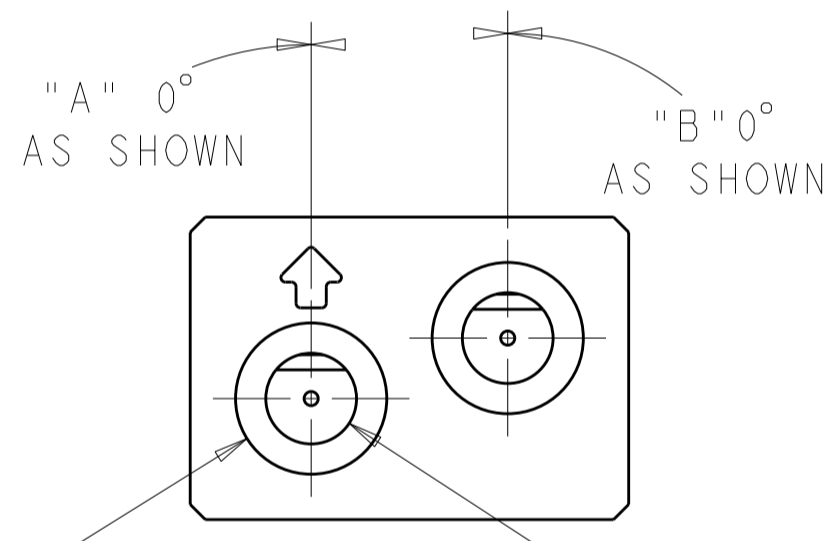
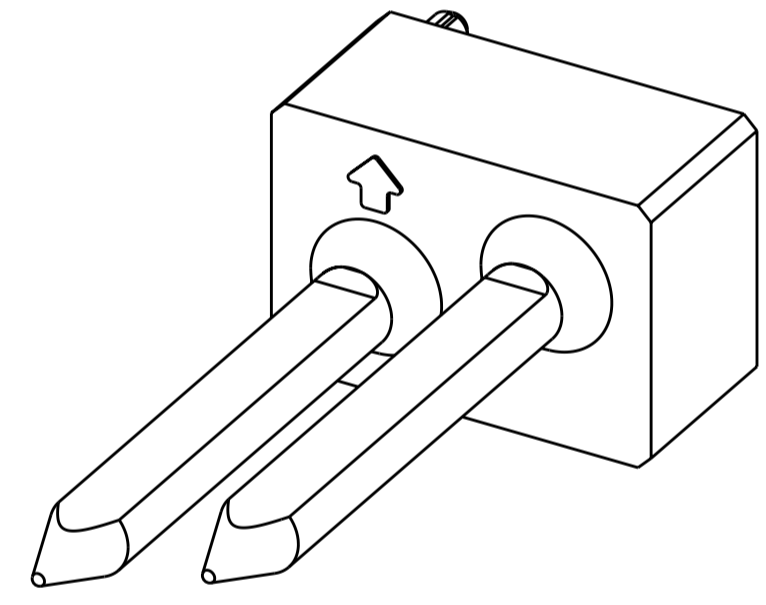
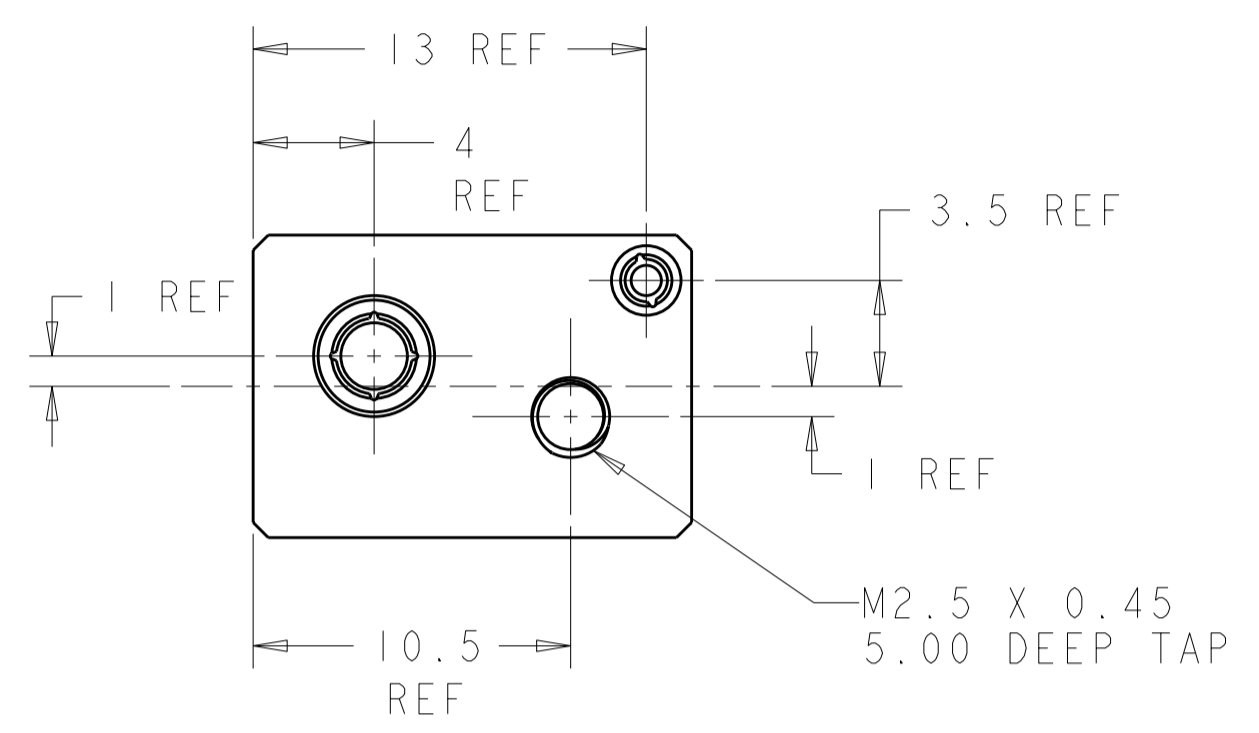
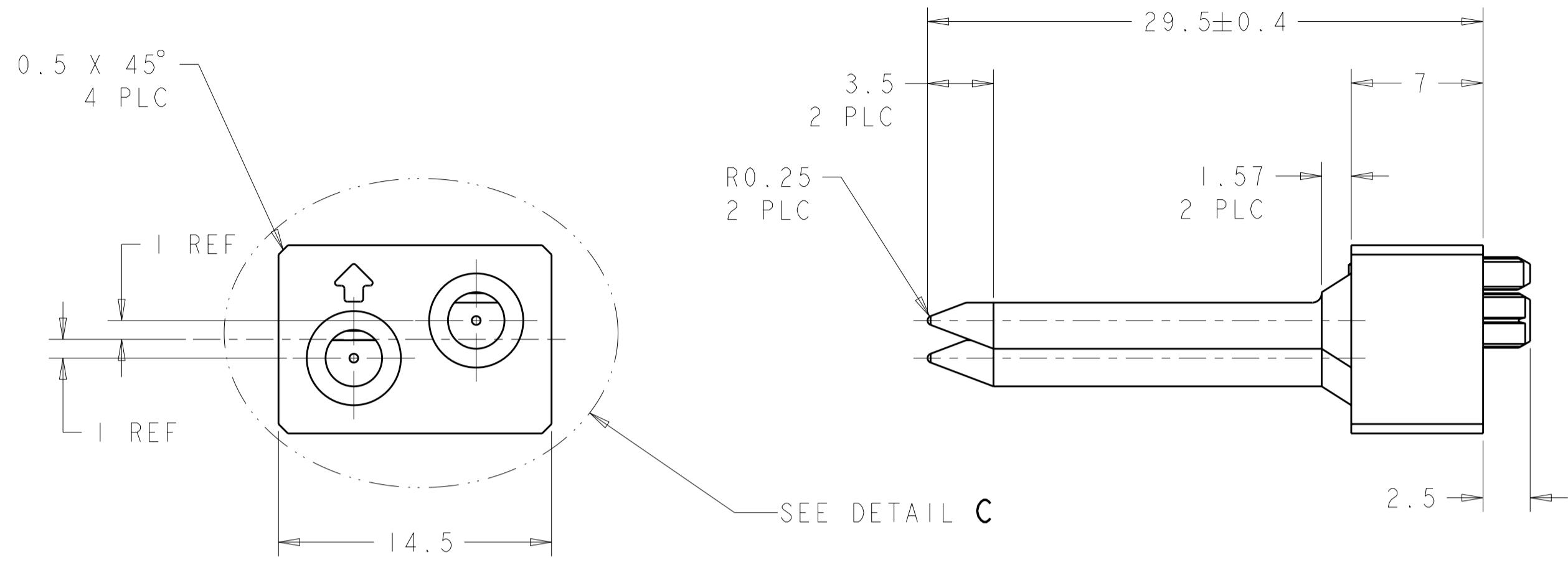
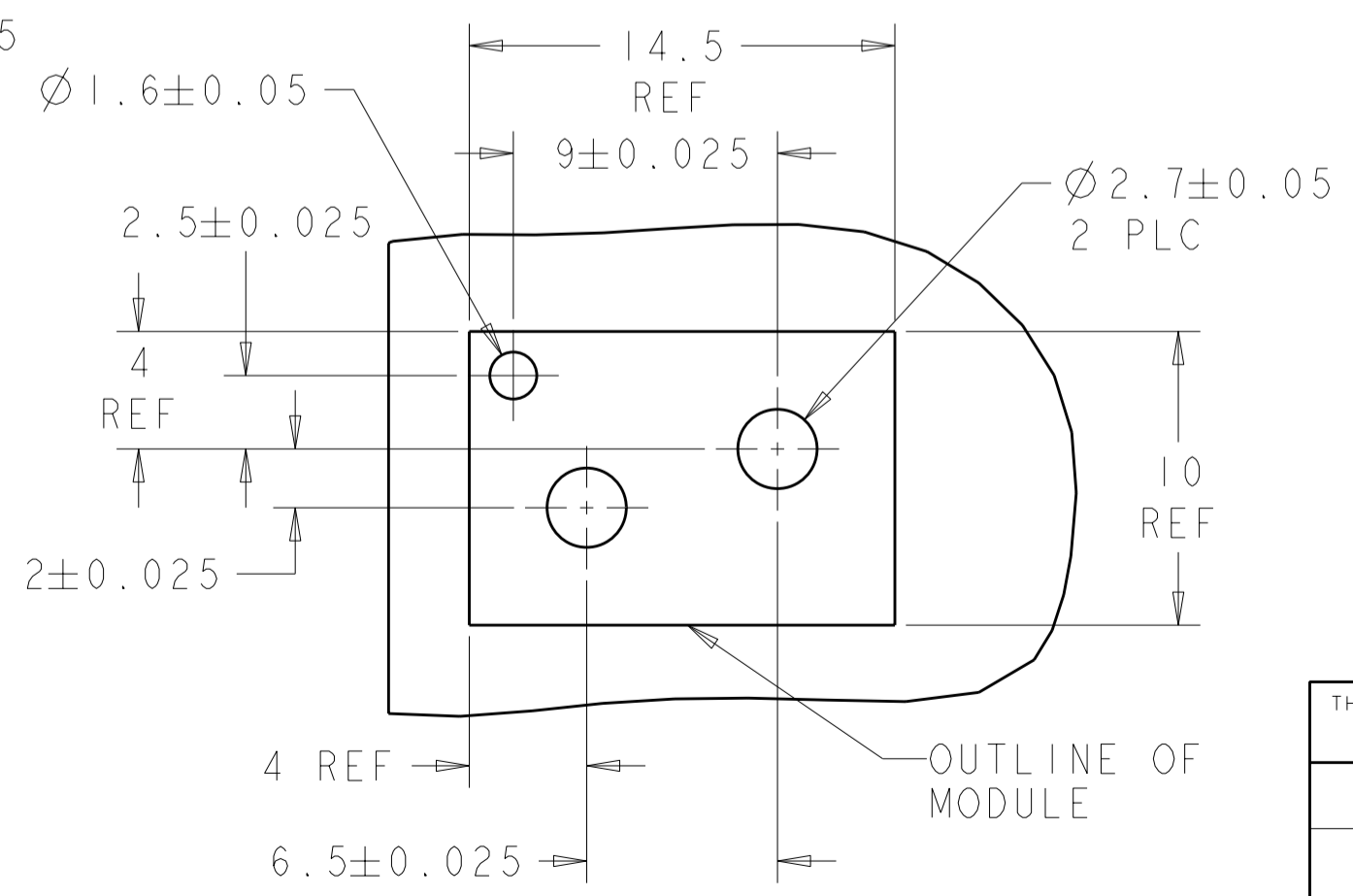


THIS DRAWING IS UNPUBLISHED. RELEASED FOR PUBLICATION 20
 © COPYRIGHT 20 ALL RIGHTS RESERVED.

LOC	DIST	REVISIONS			
P	LTR	DESCRIPTION	DATE	DWN	APVD
AD	00				
	AI	REVISED PER ECO-11-005027	16MAY2011	RK	HMR



DETAIL C
 SCALE 4:1
 1-1469387-1 SHOWN



PCB LAYOUT

NOTES:
 1. RECOMMENDED MOUNTING HARDWARE - M2.5 X 0.45 SCREW, 4.0MM LONG UP TO 2.9 MM THICK PCB, 6.0MM LONG FOR 3.0 TO 4.0 MM THICK PCB, 8.0MM FOR 4.1 TO 6.0MM THICK PCB, 10.0MM FOR 6.1 TO 8.0MM THICK PCB. (HARDWARE NOT SUPPLIED WITH PART NUMBER)

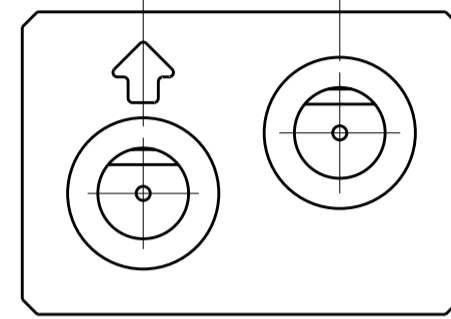
315°	225°	6-1469387-8
270°	90°	3-1469387-7
0°	0°	1-1469387-1
"B"	"A"	PART NUMBER

THIS DRAWING IS A CONTROLLED DOCUMENT.		DWN D. SZCZESNY 17DEC02	TE Connectivity	
DIMENSIONS: mm		CHK R. PATTERSON 14SEP04		
TOLERANCES UNLESS OTHERWISE SPECIFIED:		APVD R. PATTERSON 14SEP04	NAME ATCA GUIDE MODULE (BACK PLANE - AI)	
0 PLC ±0.2 1 PLC ±0.2 2 PLC ±0.13 3 PLC ±0.050 4 PLC ±0.0200 ANGLES ±0.5 FINISH		PRODUCT SPEC -	SIZE A200779	
MATERIAL ZAMAC 3		APPLICATION SPEC -	DRAWING NO C-1469387	
NICKEL		WEIGHT -	RESTRICTED TO -	
CUSTOMER DRAWING		SCALE 2:1 SHEET 1 OF 2 REV AI		

THIS DRAWING IS UNPUBLISHED. RELEASED FOR PUBLICATION 20
 © COPYRIGHT 20 ALL RIGHTS RESERVED.

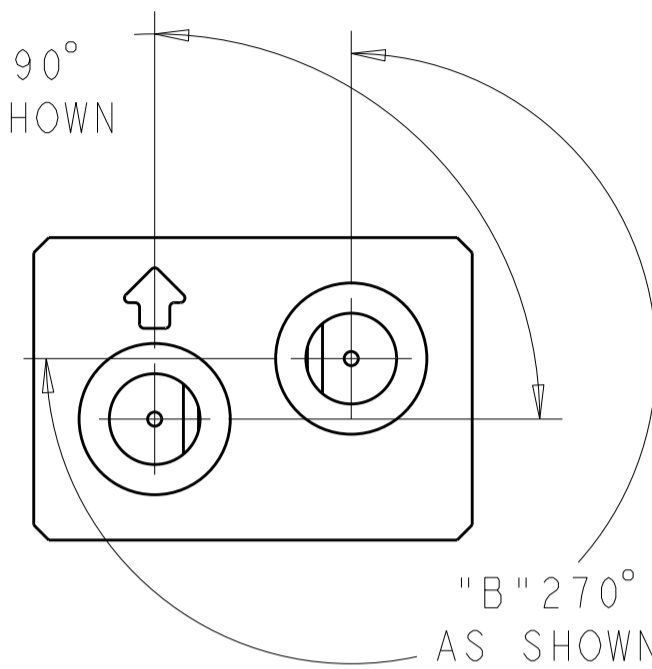
LOC	DIST	REVISIONS				
P	LTR	DESCRIPTION	DATE	DWN	APVD	
AD	00	-	SEE SHEET 1	-	-	

"A" 0° AS SHOWN "B" 0° AS SHOWN



1-1469387-1

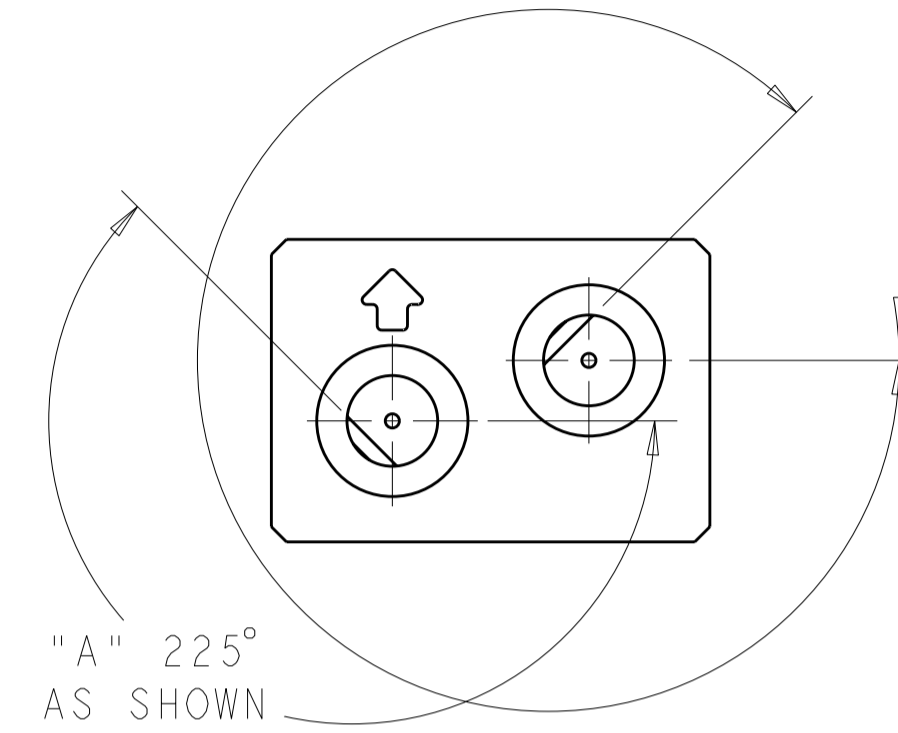
"A" 90° AS SHOWN



3-1469387-7

"B" 270° AS SHOWN

"A" 225° AS SHOWN



6-1469387-8

"B" 315° AS SHOWN

THIS DRAWING IS A CONTROLLED DOCUMENT.		DWN D. SZCZESNY 17DEC02	TE Connectivity	
DIMENSIONS: mm		CHK R. PATERSON 14SEP04		
TOLERANCES UNLESS OTHERWISE SPECIFIED:		APVD R. PATERSON 14SEP04	NAME ATCA GUIDE MODULE (BACK PLANE - A1)	
0 PLC ±0.2 1 PLC ±0.2 2 PLC ±0.13 3 PLC ±0.050 4 PLC ±0.0200 ANGLES ±0.5 FINISH		PRODUCT SPEC -	SIZE A200779	DRAWING NO C-1469387
MATERIAL ZAMAC 3	NICKEL	APPLICATION SPEC -	RESTRICTED TO -	SCALE 2:1
CUSTOMER DRAWING		WEIGHT -	SHEET 2 OF 2	REV A1

单击下面可查看定价，库存，交付和生命周期等信息

[>>TE Connectivity\(泰科\)](#)