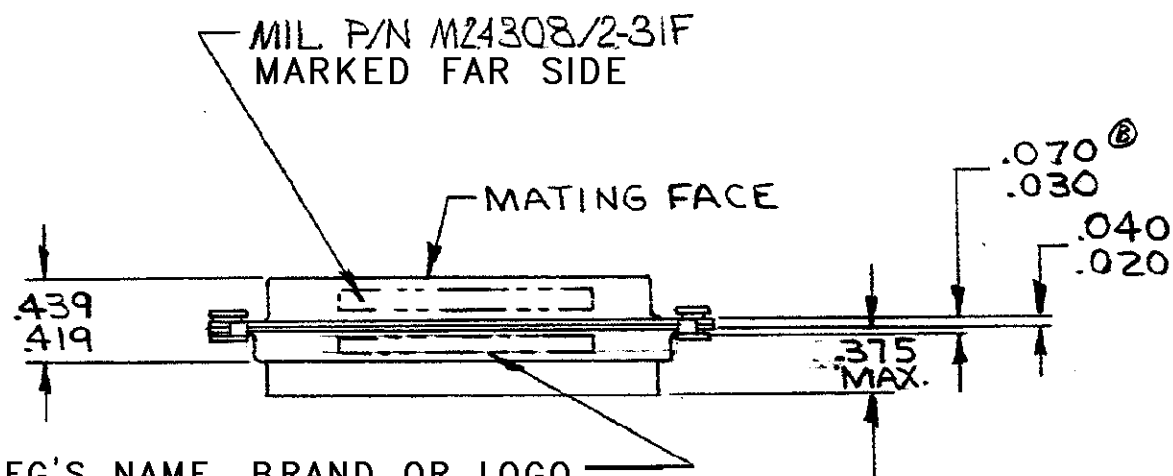
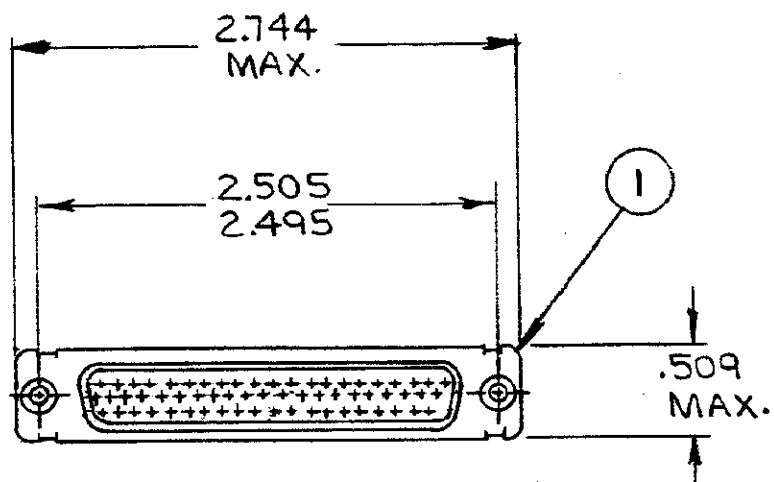


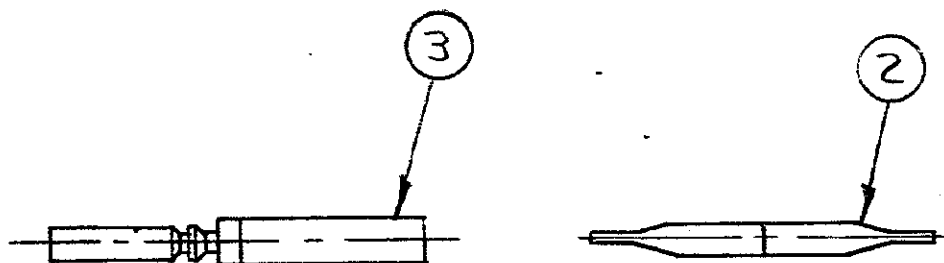
DRAWING MADE IN AMERICAN PROJECTION

AMP INCORPORATED. ALL RIGHTS RESERVED. AMP PATENTS AND/OR PATENTS PENDING.

⚠️ APPROPRIATE AMP P/N (KIT) IS MARKED ON PACKAGE



MFG'S NAME, BRAND OR LOGO
MFG'S PART NO AND DATE CODE
MARKED FAR SIDE



REVISIONS				
ZONE	LTR	DESCRIPTION	DATE	APPROVED
	A	REV. & REDRAWN, RELEASED WAS 5066-170 PER ECN A-962	12-29-70	2m/ [Signature]
		NOTES ADDED, ECN B-011	2/4/71	[Signature]
	B	REV. PER ECN B-948	5/11/73	2m/ [Signature]
	B ₁	REV. PER ECN E-342	5/19/71	2m/ [Signature]
	C	REV. PER ECN G-047	2/8/74	[Signature]
	D	REV PER ECN DF-0021; DF-0160 & R22670	MR 1-13-88	EAM
	E	ECO-08-023688	PY 11-08	BW

SUPD BY 204542-2 & 91067-1

<input checked="" type="checkbox"/>	-	-	MILITARY P/N M24308/2-42F MARKED ON PACKAGE	
<input checked="" type="checkbox"/>	-	-	MILITARY P/N M24308/2-31F MARKED ON PACKAGE	
68	68	B	204351-1 CONTACT, SOCKET, SIZE 22D	3
1	-	B	91067-1 INSERTION & EXTRACTION TOOL	2
1	-	A	204530-1 RECEPTACLE ASS'Y. SIZE #4	1
3	2	1	DWG NUMBER	NAME

204542 204542 204542	UNLESS OTHERWISE SPECIFIED DIMENSIONS ARE IN INCHES TOLERANCES ON: DECIMALS ± # ANGLES ± #	CONTRACT NO.	AMP INCORPORATED HARRISBURG, PENNSYLVANIA	
	MATERIAL	DR. L. Morningstar 12-29-70 CHK [Signature] 1-19-71 APPD [Signature] 1-19-71 REL. R. [Signature] 1-19-71 DSGN APPD OTHER APPD	NAME KIT, "HDD" SERIES, RECEPTACLE, SIZE #4	
		SIZE B	CODE IDENT NO. 00779	NUMBER 204542
		SCALE		REV E
			SHEET 1 OF 1	

单击下面可查看定价，库存，交付和生命周期等信息

[>>TE Connectivity\(泰科\)](#)