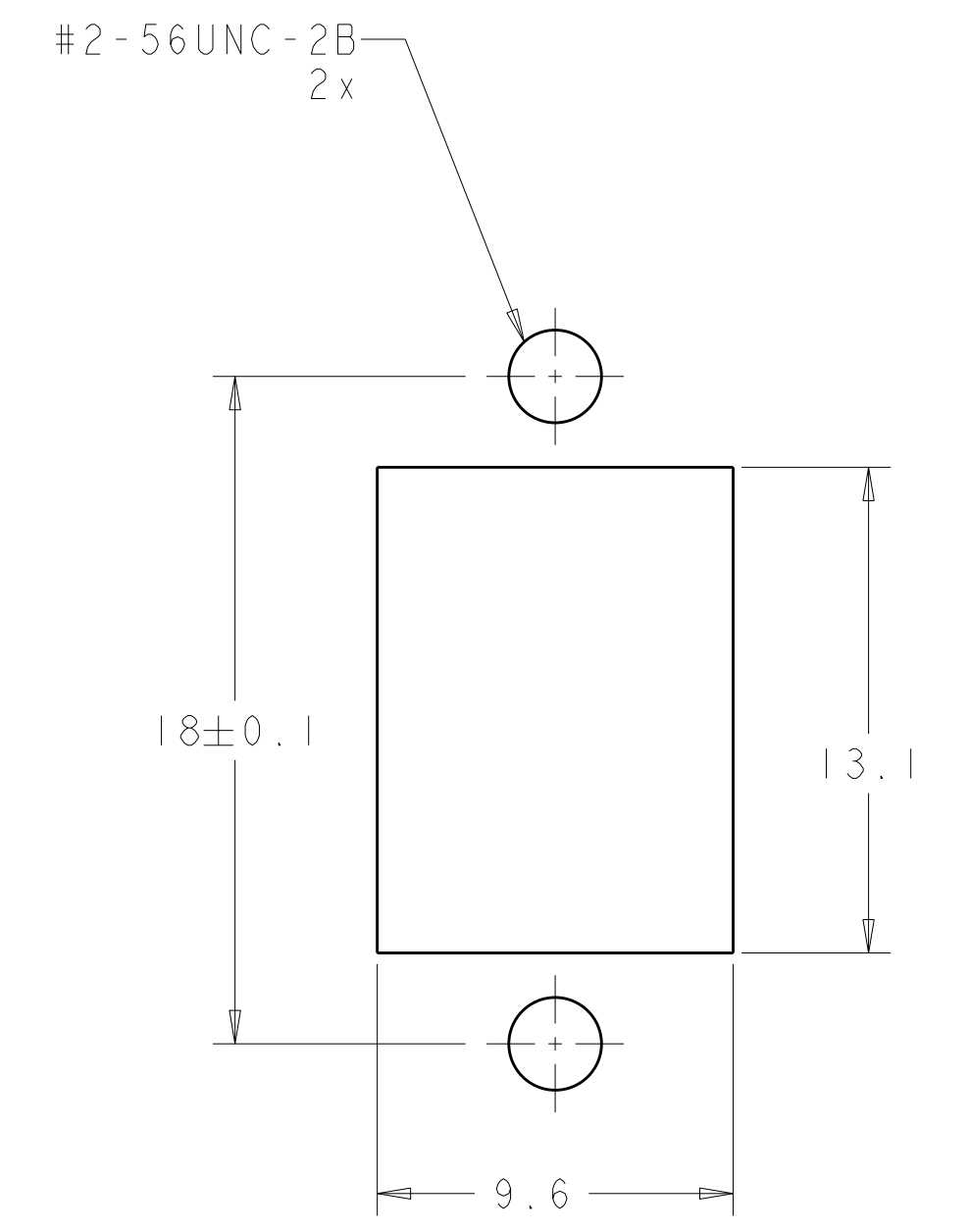
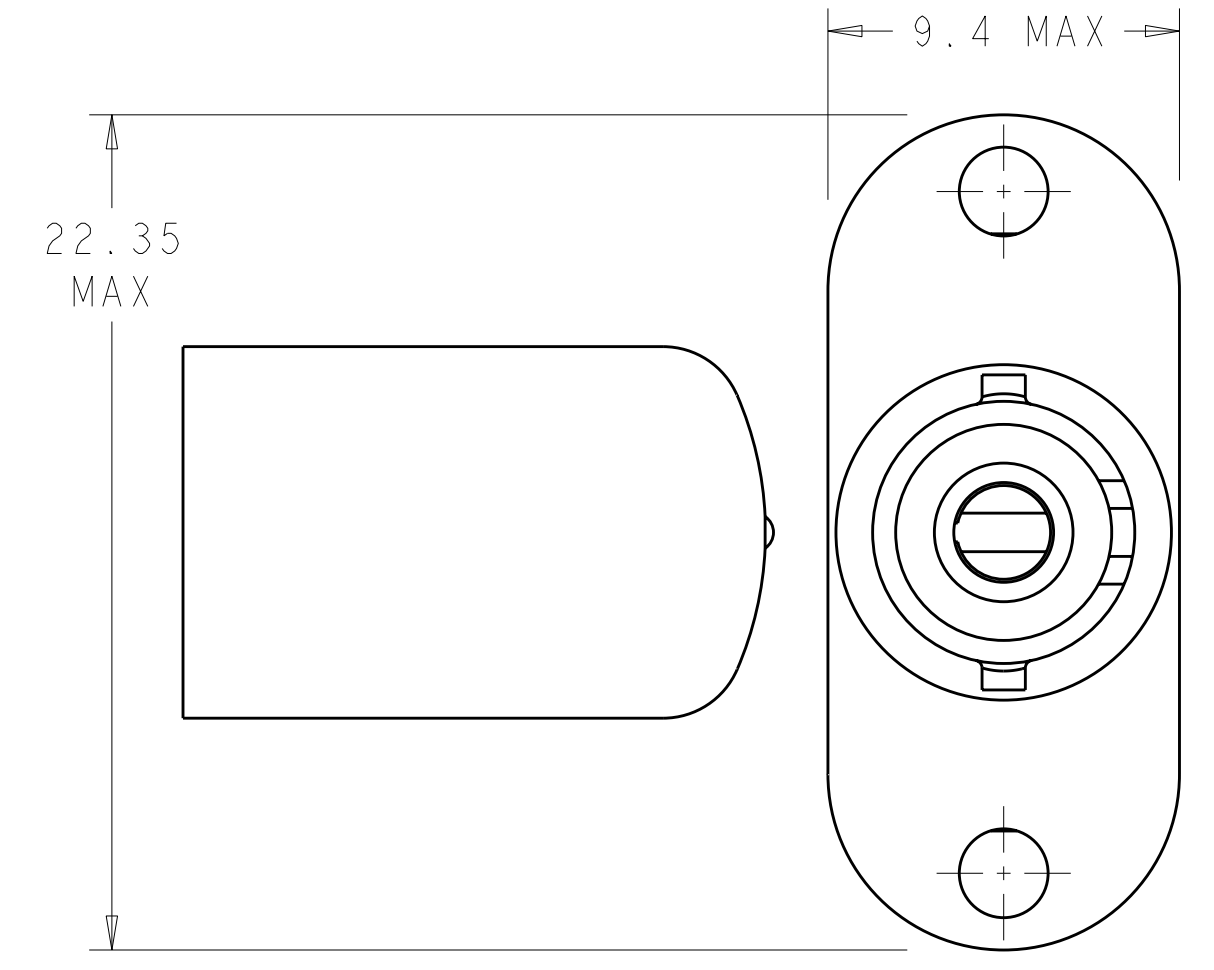
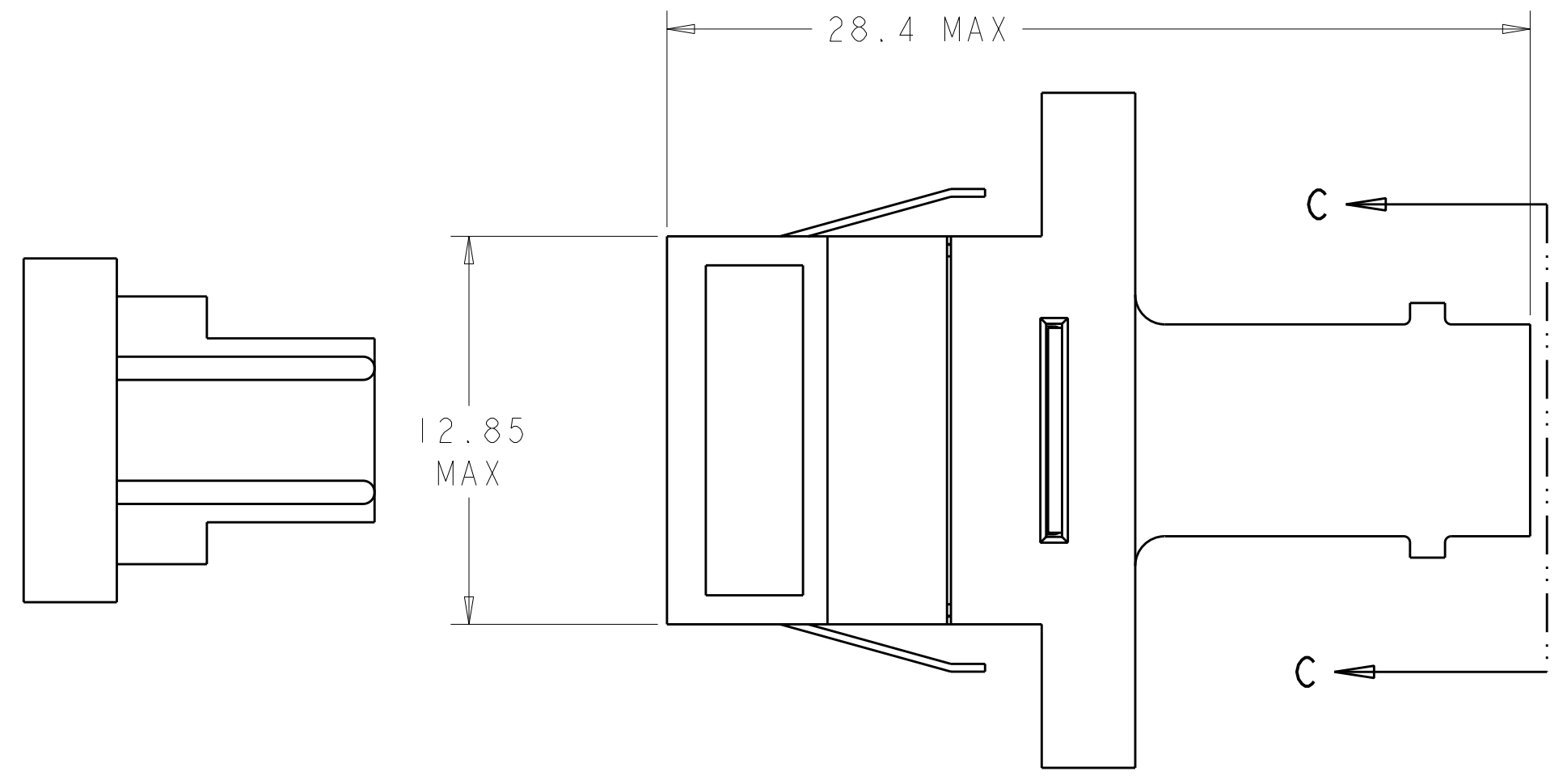


THIS DRAWING IS UNPUBLISHED. RELEASED FOR PUBLICATION 20
 © COPYRIGHT 20 ALL RIGHTS RESERVED.

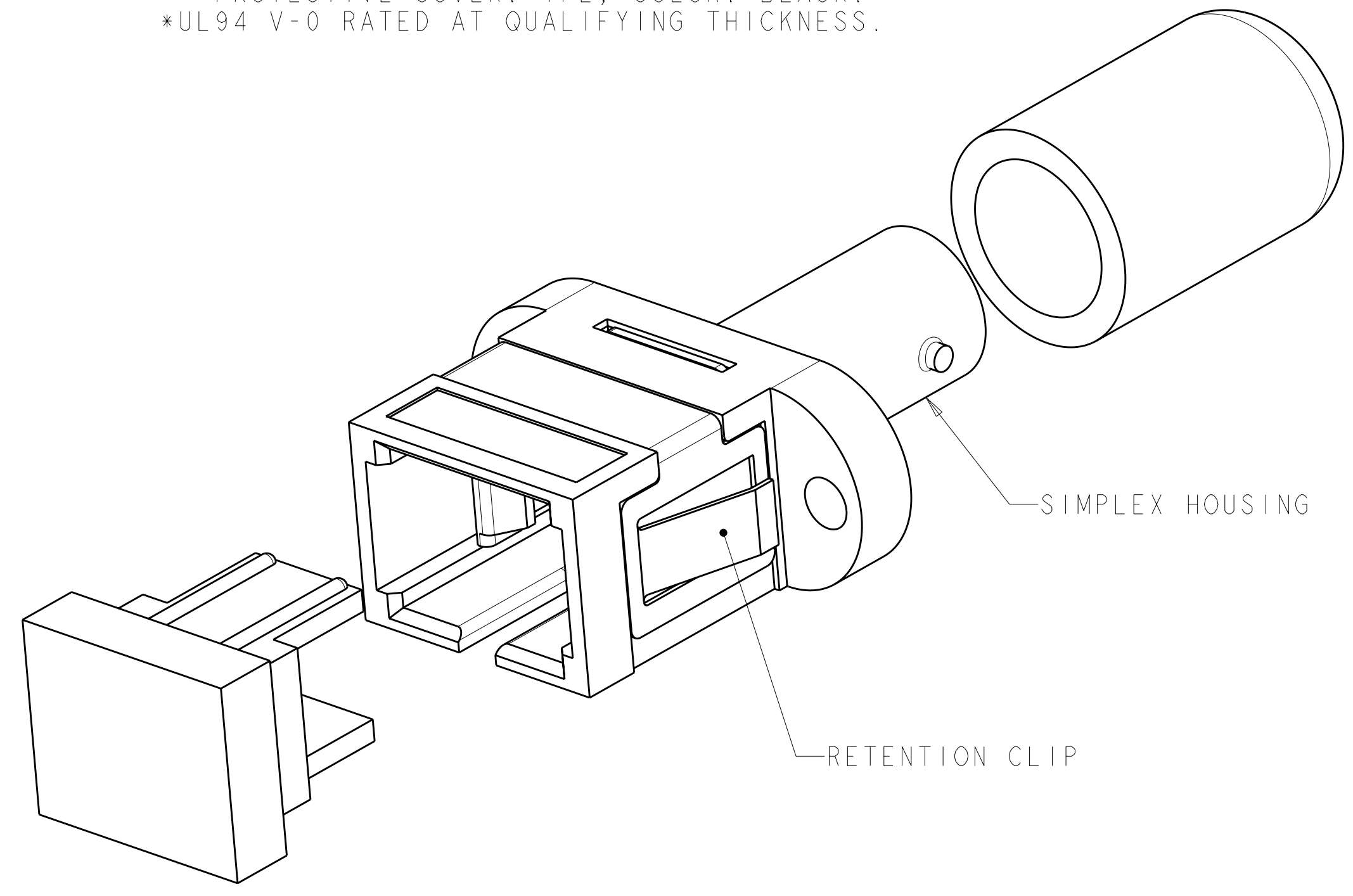
LOC CE DIST 00

REVISIONS				
P	LTR	DESCRIPTION	DATE	APVD
	CI	REVISED PER ECO-11-005027	17MAY2011	RK HMR



SUGGESTED PANEL CUTOUT
 MAX PANEL THICKNESS 1.7

MATERIAL:
 HOUSING: PBT-GF30, SEE DASH NUMBERS FOR COLOR.*
 RETAINER: PEI-GF30, COLOR: BLACK.*
 RETENTION CLIP: STAINLESS STEEL.
 ALIGNMENT SLEEVE: SEE DASH NUMBERS.
 PROTECTIVE CAP: VINYL.
 PROTECTIVE COVER: TPE, COLOR: BLACK.*
 *UL94 V-0 RATED AT QUALIFYING THICKNESS.



CERAMIC	AQUA	2-5502780-1
METAL	AQUA	2-5502780-0
CERAMIC	BEIGE	5502780-6
CERAMIC	BLUE	5502780-5
CERAMIC	BLACK	5502780-4
METAL	BEIGE	5502780-3
METAL	BLUE	5502780-2
METAL	BLACK	5502780-1
ALIGNMENT SLEEVE	COLOR	PART NUMBER

THIS DRAWING IS A CONTROLLED DOCUMENT.		DWN B. BRIGGS 13MAY2005	STE TE Connectivity	
DIMENSIONS: mm		CHK S. MILLER 13MAY2005		
TOLERANCES UNLESS OTHERWISE SPECIFIED:		APVD S. BUCHTER 13MAY2005	NAME RECEPTACLE ASSEMBLY, AMP SC TO BAYONET	
0 PLC ±		PRODUCT SPEC	SIZE CAGE CODE DRAWING NO RESTRICTED TO	
1 PLC ±0.1		APPLICATION SPEC	A200779C-5502780	
2 PLC ±0.05		WEIGHT	SCALE 5:1 SHEET OF 1 REV CI	
3 PLC ±		CUSTOMER DRAWING		
4 PLC ±				
ANGLES ±				
FINISH				

单击下面可查看定价，库存，交付和生命周期等信息

[>>TE Connectivity\(泰科\)](#)