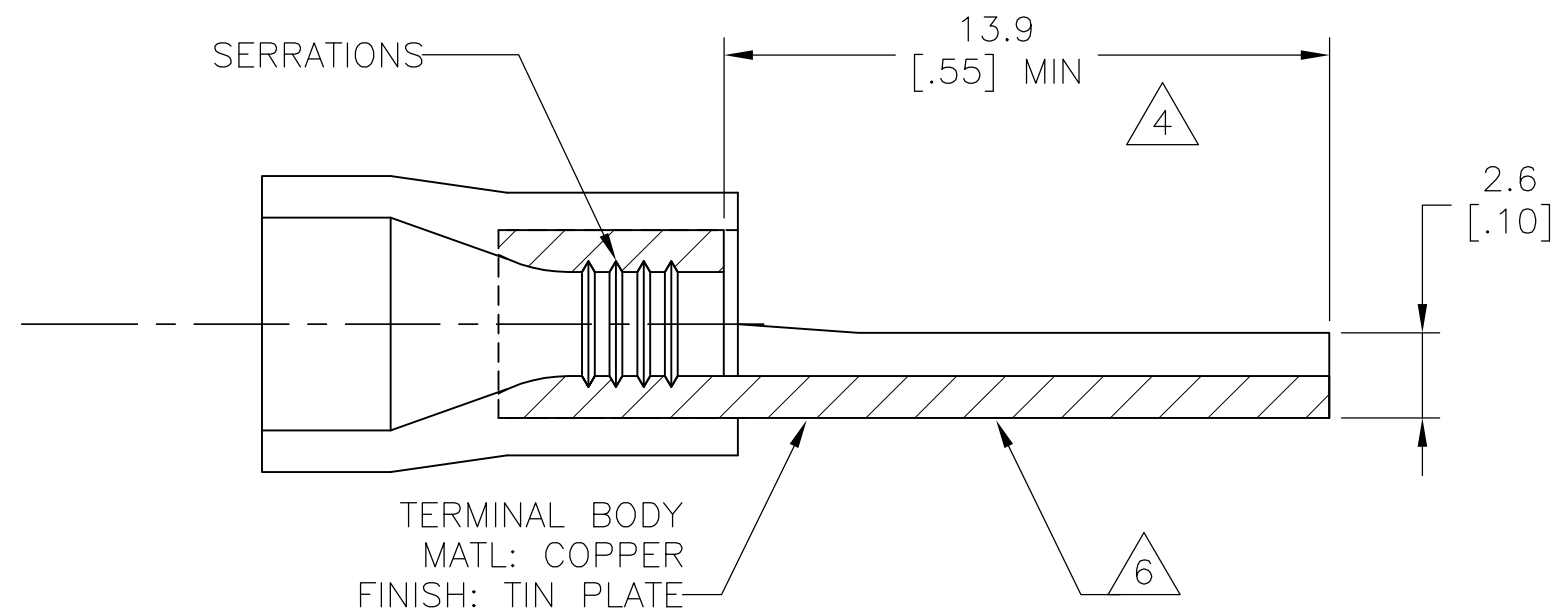
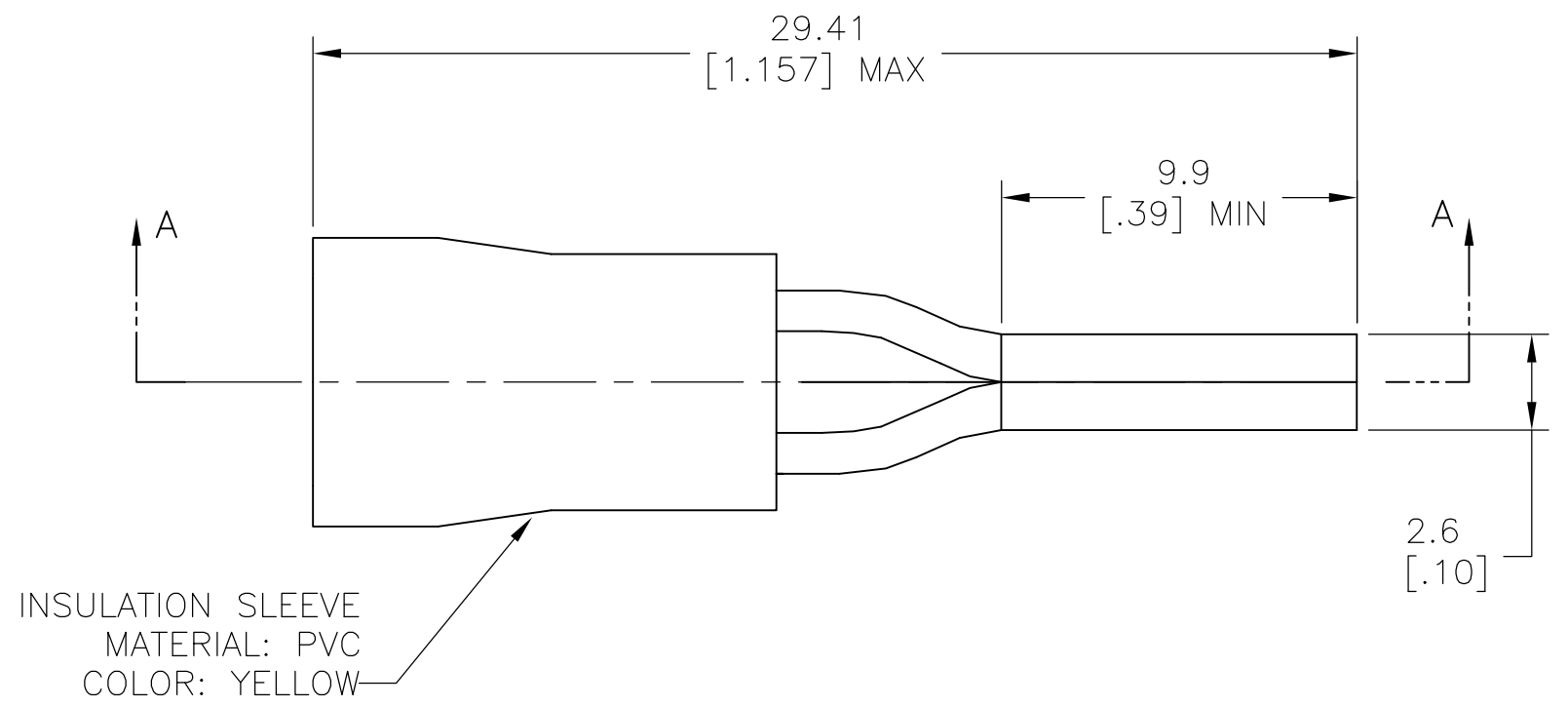


THIS DRAWING IS UNPUBLISHED. RELEASED FOR PUBLICATION
 © COPYRIGHT - By - ALL RIGHTS RESERVED.

LOC	DIST	REVISIONS					
		P	LTR	DESCRIPTION	DATE	DWN	APVD
G	02		G2	REVISED PER ECO-14-003208	15MAR2014	NK	DR



SECTION A-A

- 1 WIRE SIZE IS #12-#10 AWG
- 2 INSULATION DIA: 3.8 - 6.4 [.15-.25]
- 3 MATERIAL THICKNESS IS 1.0 [.04]
- 4 DIMENSION APPLIES FROM EDGE OF METAL WIRE BARREL TO END OF PIN
- 5 SUPERSEDED BY 342196-1
- 6 STAMP AMP 12-10* APPROX AS SHOWN
- 7 MAX RECOMMENDED OPERATING TEMPERATURE 105°C[221°F]

	POLY BAG WITH HEADER	STANDARD	50	5	7-342196-1
	PLASTIC BOX	STANDARD	50	5	6-342196-1
OBSOLETE	TAPED MOUNTED	STANDARD	2000		2-342196-1
	LOOSE PIECE	STANDARD	500		342196-1
	PACKAGING	LABELLING	QTY		PART NO

THIS DRAWING IS A CONTROLLED DOCUMENT.		DWN jr ruth 07AUG03	TE Connectivity	
DIMENSIONS: mm [INCHES]		CHK T MICHIELUTTI 07AUG03	NAME	
TOLERANCES UNLESS OTHERWISE SPECIFIED:		APVD T MICHIELUTTI 07AUG03	PRODUCT SPEC	
0 PLC ± -		APPLICATION SPEC		
1 PLC ± 0.5[.02]		WEIGHT		
2 PLC ± -		SCALE 5:1		
3 PLC ± -		SHEET 1 of 1		
4 PLC ± -		REV G2		
ANGLES ± 1°		CUSTOMER DRAWING		
FINISH		SIZE A2 CAGE CODE 00779 DRAWING NO C=342196 RESTRICTED TO		
MATERIAL		TERMINAL, WIRE PIN, PLASTI-GRIP,		

单击下面可查看定价，库存，交付和生命周期等信息

[>>TE Connectivity\(泰科\)](#)