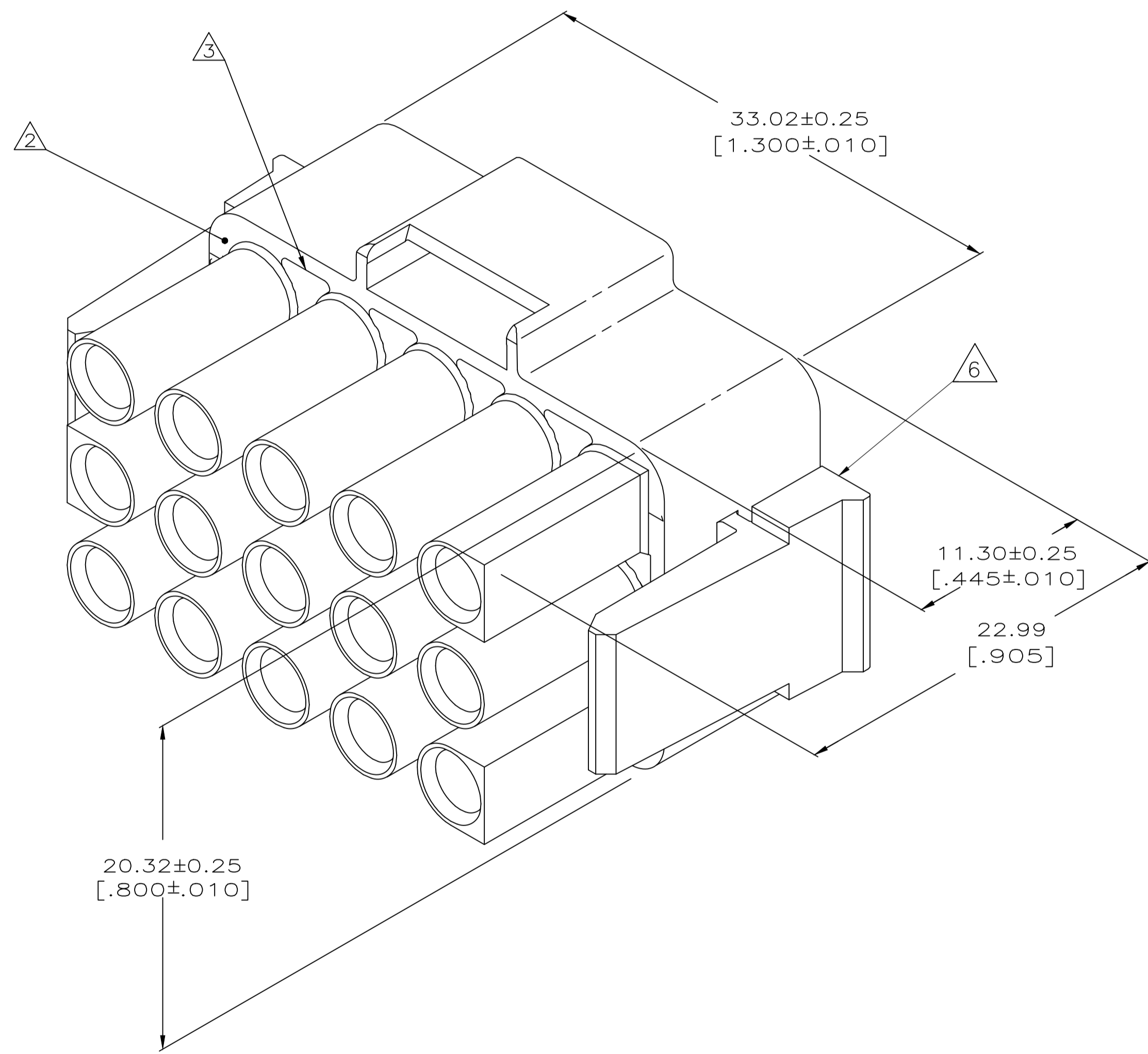


REVISIONS				
P	LTR	DESCRIPTION	DATE	APVD
F2		REV. ECO 17-011267	13SEP2017	HC KR

- MUST BE ASSEMBLED WITH PLUG REAR P/N 770044-1 BEFORE MATING. KIT P/N IS 770023-1.
- AMP LOGO LOCATED THIS SURFACE.
- NEW MOLD CONSTRUCTION PROVIDES MATERIAL REDUCTION CORING AT BASE OF SILOS WITH NO CORING AS OPTIONAL.
- DIMENSIONS SHOWN REPRESENT PRODUCT IN DRY, AS MOLDED, CONDITION. ADDITIONAL 2% GROWTH DUE TO SUBSEQUENT MOISTURE ABSORPTION MAY OCCUR AND SHOULD BE ACCOUNTED FOR.
- DIMENSIONS IN BRACKETS ARE IN INCHES.
- CSA CERTIFICATION LOGO LOCATED APPROXIMATELY AS SHOWN



770043-1
PART NUMBER

METRIC

THIS DRAWING IS A CONTROLLED DOCUMENT.		DWN K SALMON 1-15-92	TE Connectivity	
DIMENSIONS: INCHES		CHK R SWING 1-15-92	NAME	
TOLERANCES UNLESS OTHERWISE SPECIFIED:		APVD	PRODUCT SPEC	
0 PLC ± -			APPLICATION SPEC	
1 PLC ± -			WEIGHT 0	
2 PLC ± -			SIZE A1 CAGE CODE 00779 C=770043	
3 PLC ± 0.13 [.005]			RESTRICTED TO	
4 PLC ± -			CUSTOMER DRAWING	
ANGLES ± -			SCALE 5:1 SHEET 1 OF 1 REV F2	
FINISH -				

单击下面可查看定价，库存，交付和生命周期等信息

[>>TE Connectivity\(泰科\)](#)