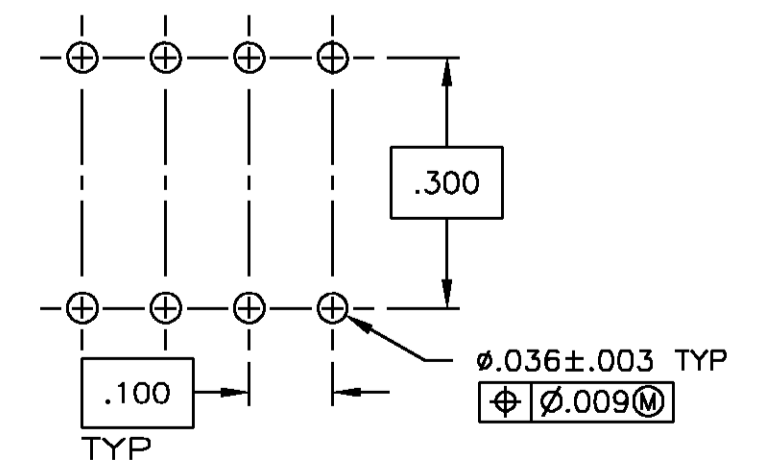
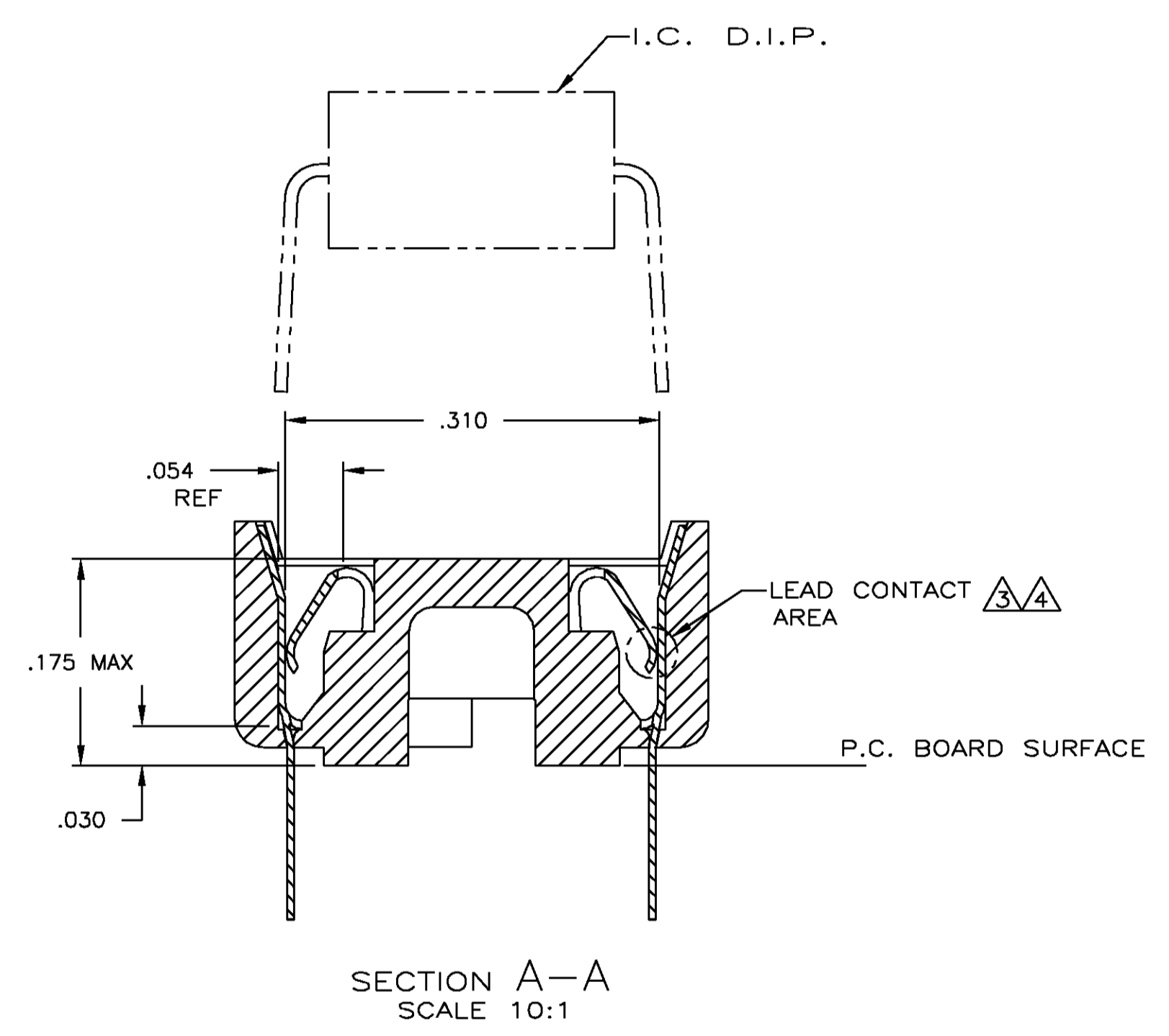
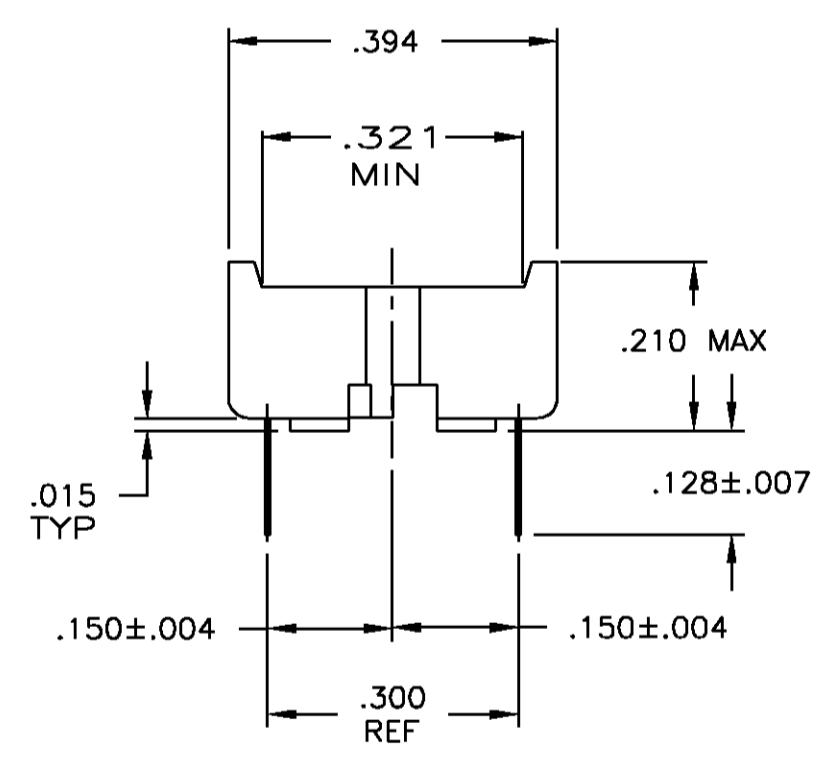
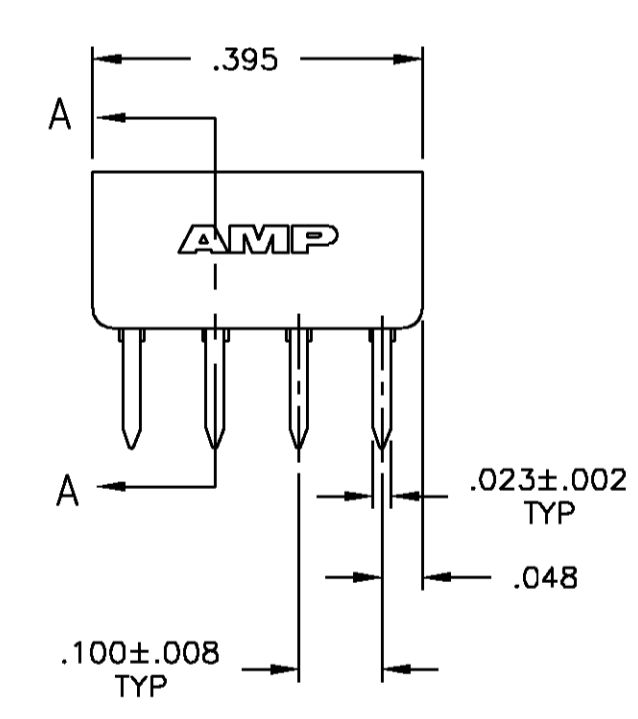
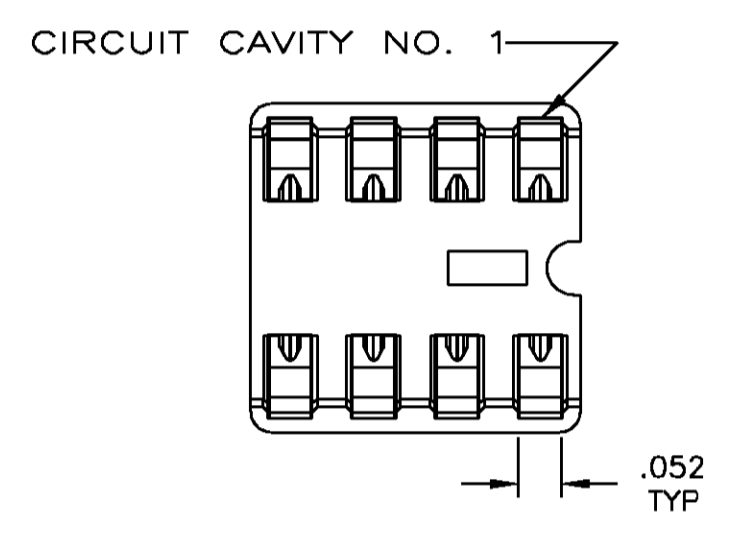


REVOLUTIONS		REVISIONS		DATE	BY	APP'D	
LOC	QTY	P	LN	DESCRIPTION	DATE	BY	APP'D
AD	0	AE	REV PER	0G3C-0214-99	29AUG00	BH	HW

- RECEPTACLE ACCEPTS A .008-.014 THICK I.C. LEAD.
- TUBE LOADED FOR AUTOMATIC INSERTION.
- TWO .000030 MIN THK. GOLD STRIPES IN CONTACT AREA WITH TIN-LEAD (93/7) ON CONTACT LEGS, BALANCE OF CONTACT NICKEL PLATED.
- TWO .000015 MIN THK. GOLD STRIPES IN CONTACT AREA WITH TIN-LEAD (93/7) ON CONTACT LEGS, BALANCE OF CONTACT NICKEL PLATED.



RECOMMENDED MOUNTING HOLE PATTERN
SCALE 4:1

OBSOLETE	TINNED	PHOS.BRZ. .006 THK	GLASS-FILLED THERMOPLASTIC, 94V-0, BLACK	2-640463-5
SUPERSEDED BY 390261-2	TINNED	PHOS.BRZ. .006 THK	GLASS-FILLED THERMOPLASTIC, 94V-0, BLACK	2-640463-4
SUPERSEDED BY 390261-2	TINNED	BE.CU. .006 THK	GLASS-FILLED THERMOPLASTIC, 94V-0, BLACK	2-640463-3
SUPERSEDED BY 390261-2	TINNED	BE.CU. .006 THK	GLASS-FILLED THERMOPLASTIC, 94V-0, BLACK	2-640463-2
		BE.CU. .006 THK	GLASS-FILLED THERMOPLASTIC, 94V-0, BLACK	2-640463-1

CONTACT FINISH		CONTACT MAT'L		HOUSING MATERIAL		PART NO.	
THIS DRAWING IS A CONTROLLED DOCUMENT.							
DIMENSIONS:		TOLERANCES UNLESS OTHERWISE SPECIFIED:		DRAWN		DATE	
INCHES		0 P.L.C.	± .005	M. CYRUS	2-20-87	AMP	
		1 P.L.C.	± .005	R. MILLER	2-20-87	Tyco Electronics Corporation	
		2 P.L.C.	± .005	J. LAMBERT	2-28-87	Harrisburg, PA 17105	
		3 P.L.C.	± .005			SOCKET ASSY, DIP, 8 POS, DIPLOMATE DL	
		4 P.L.C.	± .005			108-1066	
		ANGLES	± .005			APPLICATION SPEC	
MATERIAL		FINISH		SIZE		CAGE CODE	
SEE TABLE		SEE TABLE		A1		00779	
				DRAWING NO		640463	
				CUSTOMER DRAWING		SCALE 5:1	
						SHEET 1 OF 1	
						REV AF	

单击下面可查看定价，库存，交付和生命周期等信息

[>>TE Connectivity\(泰科\)](#)