

# SPECIFICATION CONTROL DRAWING

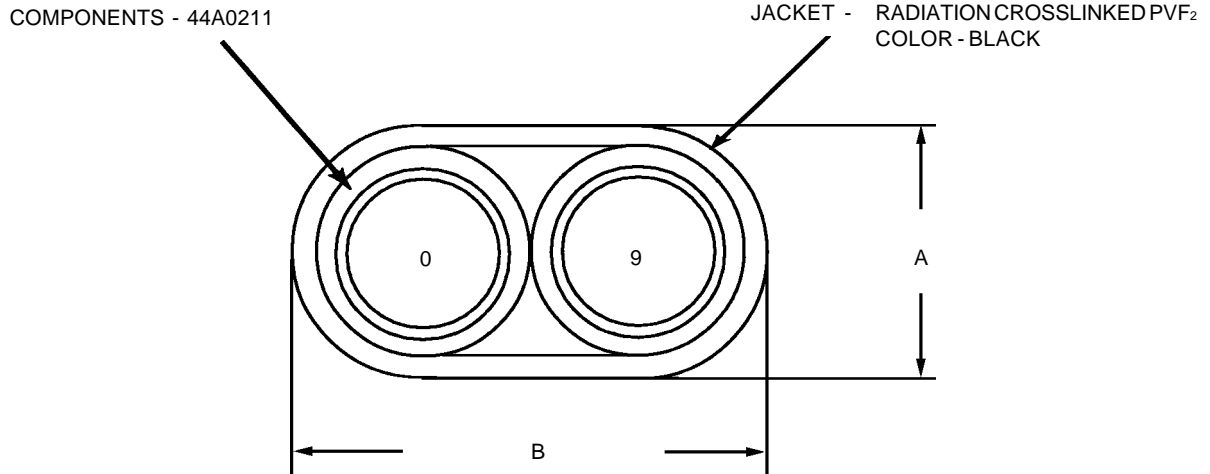
**ASC15865**

TITLE TWO CONDUCTOR CABLE, PARALLEL, JACKETED

Date **2-13-05**

Revision **D**

This specification sheet forms a part of the latest issue of Raychem Specification 44A



CABLE CONSTRUCTION DETAILS				
PART NUMBER <u>1/</u>	CONDUCTOR SIZE (AWG)	OUTSIDE DIAMETER in. (mm)		NOMINAL WEIGHT lb/1000 ft (kg/km)
		A	B	
ASC15865-22-0	22	.082 (2.1)	.136 (3.5)	11.2 (16.7)
ASC15865-20-0	20	.090 (2.3)	.152 (3.9)	14.9 (22.2)

### ADDITIONAL REQUIREMENTS

CABLE LAY: Components shall be laid parallel  
 CABLE JACKET: Tube Extruded  
 COMPONENT REMOVABILITY: Components shall not be easily removed from a 6 inch cable sample after stripping 1 inch of jacket from one end.  
 DIAMETER TOLERANCE: ±.004 in. (.1mm)  
 WALL THICKNESS: .0140" (.36mm) (nominal)

*Users should evaluate the suitability of this product for their application. Specifications are subject to change without notice. Tyco Electronics also reserves the right to make changes in materials or processing, which do not affect compliance with any specification, without notification to Buyer.*

1/ COLORS AND COLOR CODE DESIGNATORS SHALL BE IN ACCORDANCE WITH MIL-STD-681. HOWEVER, DUE TO LENGTH LIMITATIONS OF THE RAYCHEM PART NUMBER, AN ALTERNATIVE COLOR CODE MAY REPLACE MIL-STD-681 COLOR CODE DESIGNATORS. (EXAMPLE: "901/902..." MAY BE REPLACED BY "Axxx".) OTHER CODES AND SUFFIXES MAY BE ADDED TO THE PART NUMBER, AS NECESSARY, TO CAPTURE ANY ADDITIONAL REQUIREMENTS IMPOSED BY THE PURCHASE ORDER.

DIMENSIONS ARE IN INCHES, AND UNLESS OTHERWISE DESIGNATED ARE NOMINAL.

THIS SPECIFICATION SHEET TAKES PRECEDENCE OVER DOCUMENTS REFERENCED HEREIN. REFERENCED DOCUMENTS SHALL BE OF THE ISSUE IN EFFECT ON DATE OF INVITATION FOR BID.



**Raychem** Wire & Cable  
 501 Oakside Avenue  
 Redwood City, CA 94063-3800  
 Phone: 1-800-227-8816  
 Fax: 1-650-361-6297

单击下面可查看定价，库存，交付和生命周期等信息

[>>TE Connectivity\(泰科\)](#)