

4

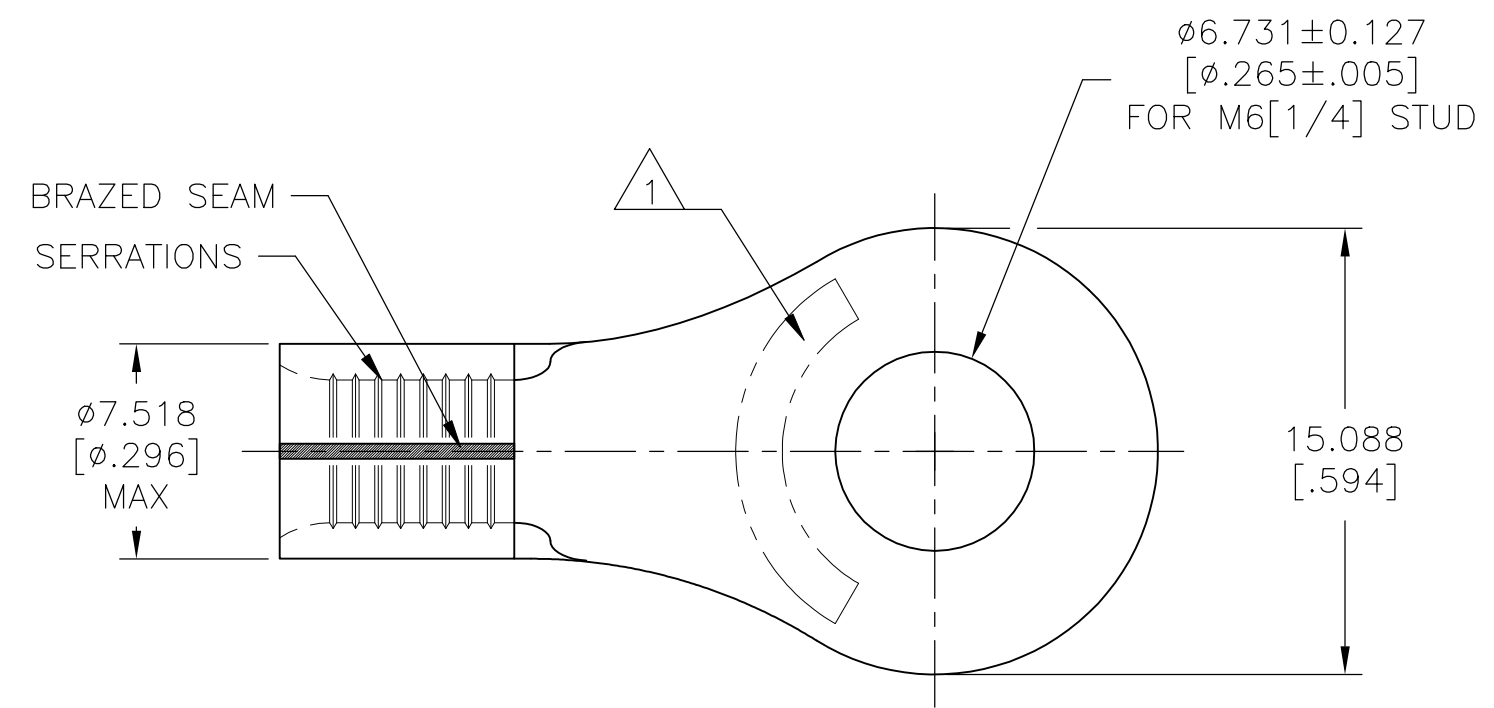
3

2

1

THIS DRAWING IS UNPUBLISHED. RELEASED FOR PUBLICATION
 © COPYRIGHT - By - ALL RIGHTS RESERVED.

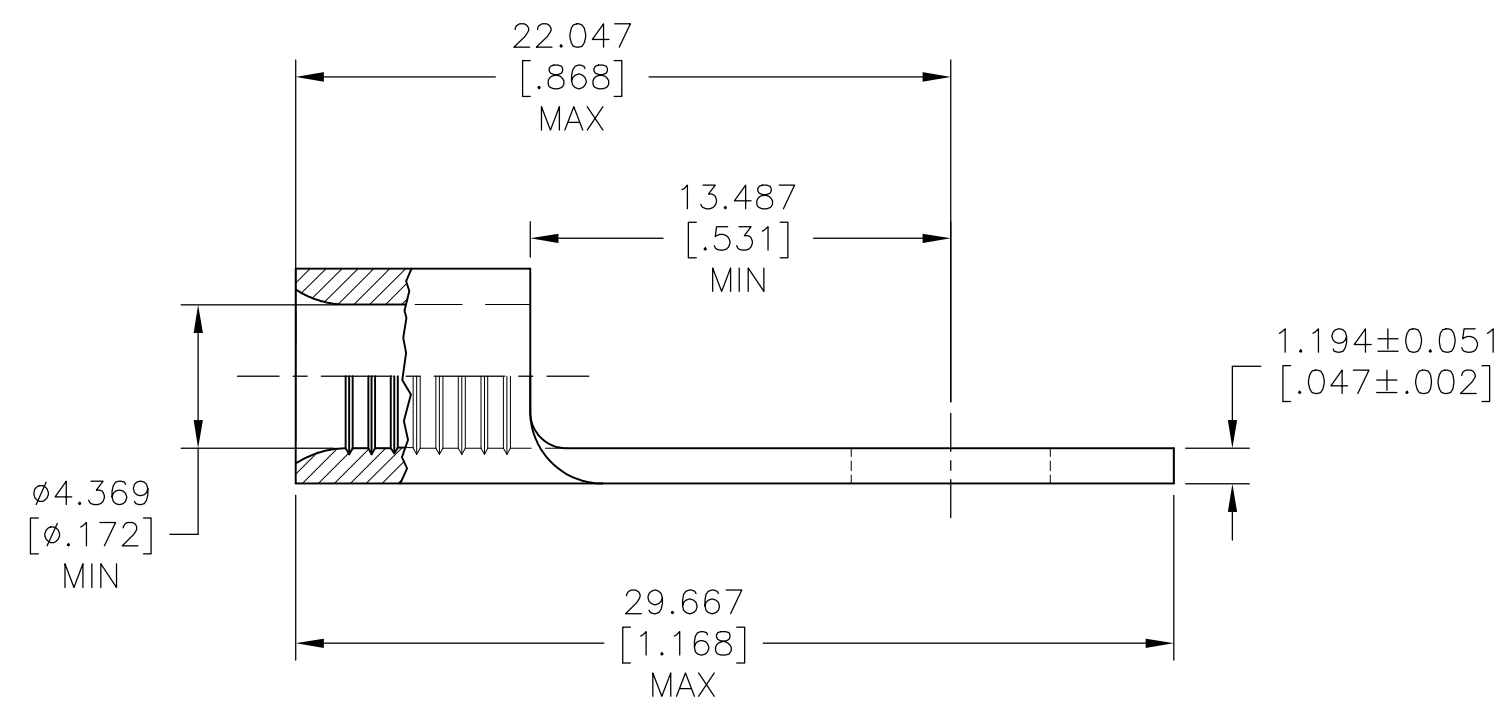
REVISIONS					
P	LTR	DESCRIPTION	DATE	DWN	APVD
G2		REVISED PER ECO-16-001643	05FEB2016	NK	DR
G3		REVISED PER ECO-17-008808	02FEB2018	RS	DR
G4		REVISED PER ECO-18-009935	27JUN2018	RS	DR



AMP WIRE RANGE	E13288 Listed
8 AWG SOLID OR STRANDED	8 AWG STRANDED

LR7189 Certified	MILITARY P/N AND CLASS
8 AWG SOLID OR STRANDED	NOT APPLICABLE

- 1 STAMP AMP 8* APPROX AS SHOWN
- 2 TIN PL 0.00254[.000100] MIN THK PER ASTM B-545
- 3 NOTE DELETED
- 4 NOTE DELETED



50	LOOSE PIECE, BOX	-	8-35247-2
100	LOOSE PIECE	2	35247
QTY	PACKAGE TYPE	FINISH	TE PART NUMBER

AMP INCORPORATED CUSTOMER SERVICE SYSTEMS

FOR ADDITIONAL PRODUCT INFORMATION OR COPIES OF DRAWINGS AND TECHNICAL DOCUMENTS	PRODUCT INFORMATION CENTER 1-800-522-6752
FOR APPLICATION TOOLING INFORMATION	TOOLING ASSISTANCE CENTER 1-800-722-1111
FOR ORDER ENTRY	1-800-526-5142

RECOMMENDED OPERATING TEMPERATURE: 170°C[338°F] MAX
VOLTAGE RATING: NOT APPLICABLE
WIRE CROSS SECTIONAL AREA RANGE: 6.64-10.50mm ² [13,100-20,800] CIR MILS SOLID OR STRANDED

THIS DRAWING IS A CONTROLLED DOCUMENT.	
DIMENSIONS: mm [INCHES]	TOLERANCES UNLESS OTHERWISE SPECIFIED:
	0 PLC ± -
	1 PLC ± -
	2 PLC ± -
	3 PLC ± 0.127[.005]
	4 PLC ± -
	ANGLES ± -
MATERIAL COPPER PER ASTM B-152 ANNEALED	FINISH SEE TABLE

DWN	22AUG97
DK SCHRUM	
CHK	22AUG97
MJ SPICER	
APVD	22AUG97
JL MECKLEY	
PRODUCT SPEC	UL 486 A-B
APPLICATION SPEC	-
WEIGHT	
CUSTOMER DRAWING	

TE Connectivity Ltd.			
NAME TERMINAL, RING TONGUE, SOLISTRAND™ 8 AWG			
SIZE	CAGE CODE	DRAWING NO	RESTRICTED TO
A3	00779	C-35247	-
SCALE 4:1		SHEET 1 of 1	REV G4

单击下面可查看定价，库存，交付和生命周期等信息

[>>TE Connectivity\(泰科\)](#)