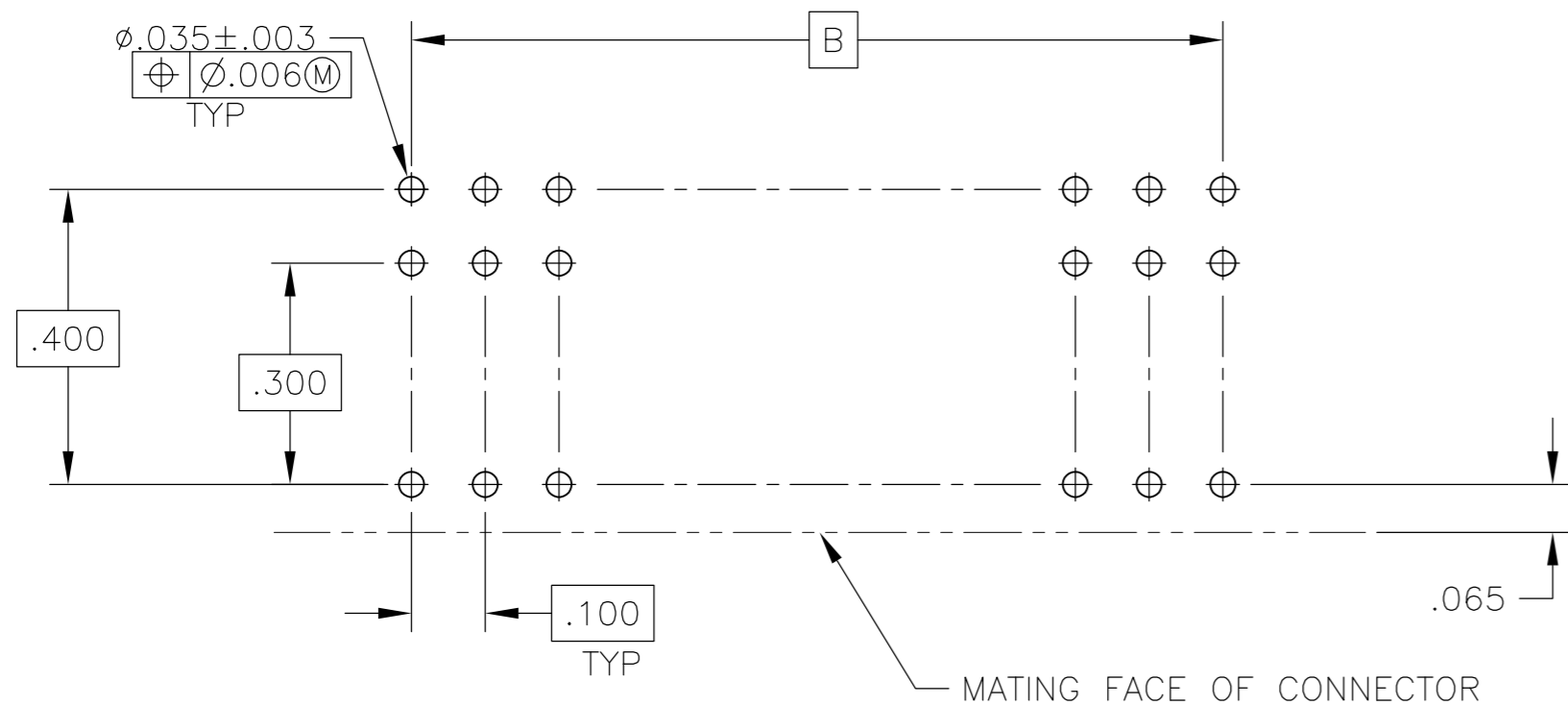
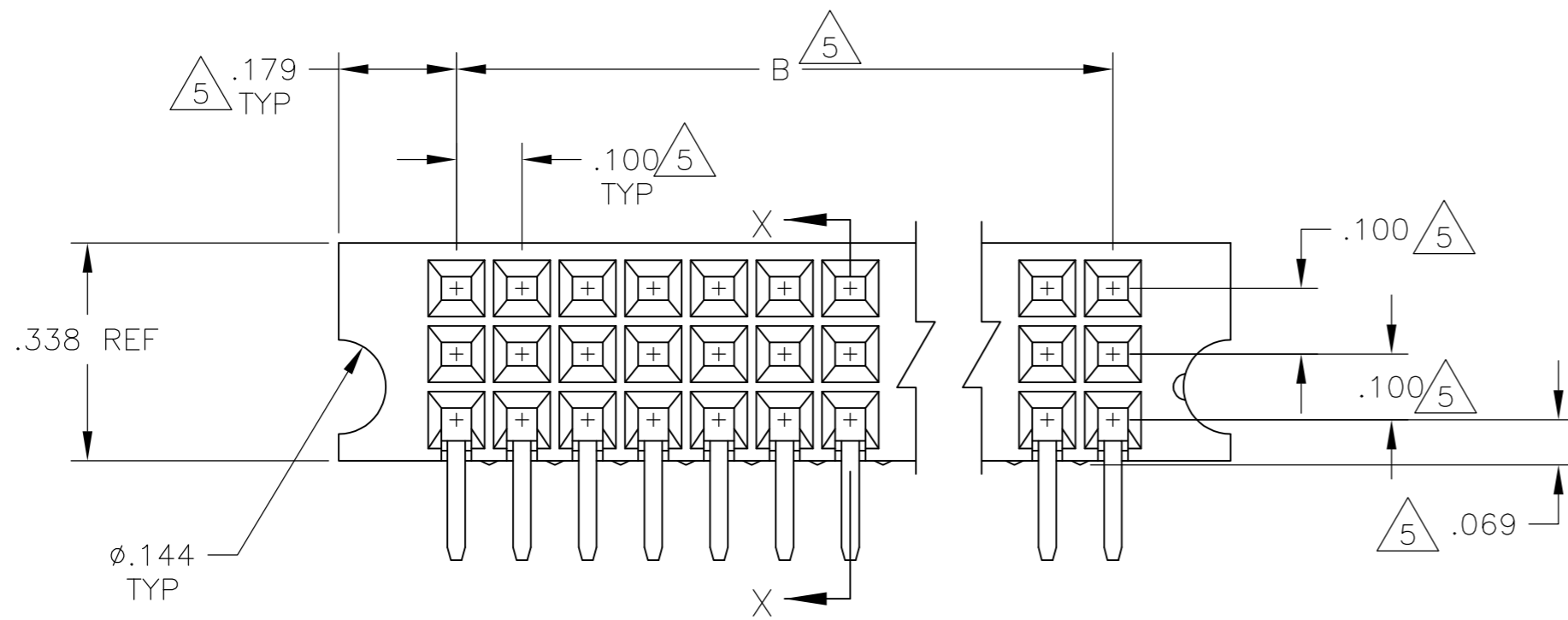
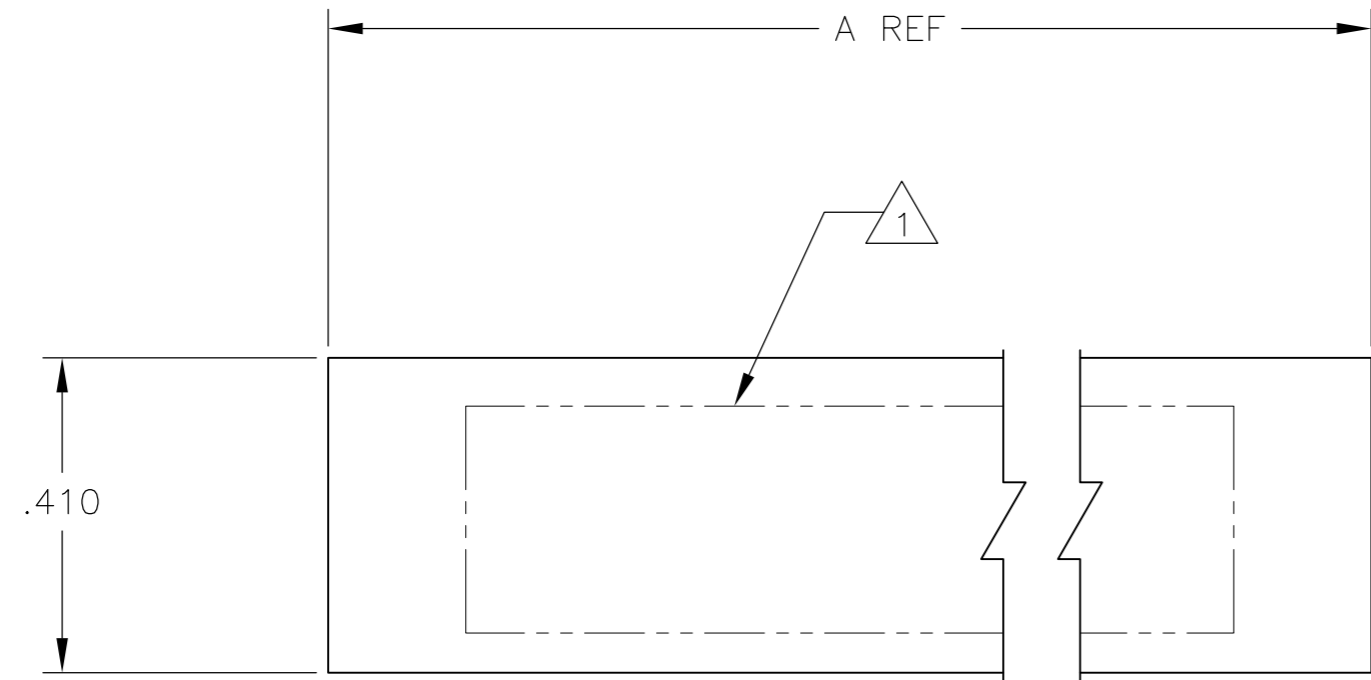


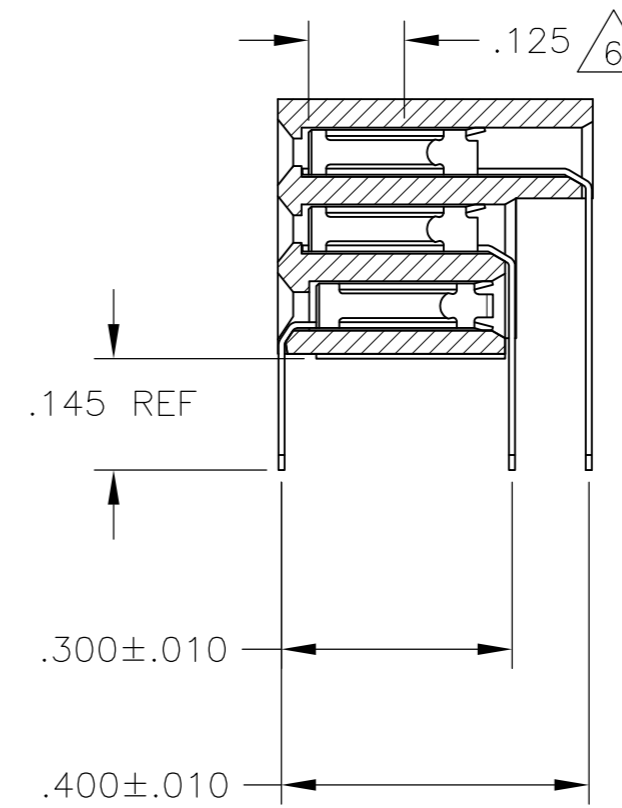
THIS DRAWING IS UNPUBLISHED. RELEASED FOR PUBLICATION  
 © COPYRIGHT BY TYCO ELECTRONICS CORPORATION. ALL RIGHTS RESERVED.

LOC		DIST		REVISIONS			
P	LTR	DESCRIPTION	DATE	DWN	APVD		
	E1	ECO-06-16525	02OCT06	MB	JO		
	E2	REVISED PER ECO-09-021510	12SEP09	KK	AEG		



RECOMMENDED P.C. BOARD HOLE LAYOUT

- 1 HOUSING: POLYPHENYLENE SULFIDE GLASS FILLED  
CONTACT: PHOS BRONZE
- 2 CONTACT FINISH: DUPLEX PLATED .000015 GOLD IN CONTACT AREA,  
.000050-.000100 BRIGHT TIN-LEAD ON SOLDER LEADS, ALL OVER .000050 NICKEL.
- 3 CONTACT FINISH: DUPLEX PLATED .000015 GOLD IN CONTACT AREA,  
.000050-.000100 MATTE TIN ON SOLDER LEADS, ALL OVER .000050 NICKEL.
- 4 "AMP", "PART NUMBER", "DATE CODE" THE WORD "FRONT" AND "CSA"  
LOGO WITH .062±.015 HIGH CHARACTERS.
- 5 THESE DIMENSIONS PERTAIN TO CAVITY CENTERLINES ONLY,  
NOT TO CONTACT LOCATIONS
- 6 POINT OF MEASUREMENT FOR PLATING THICKNESS  
(MEASURE INSIDE CONTACT BEAM)
- 7 ROHS 2002/95/EC COMPLIANT.
- 8 OBSOLETE PARTS: OBSOLETE CIS STREAMLINING PER D.RENAUD/D.SINISI



SECTION X-X

3	6.900	7.258	210	7	5-535549-2
	3.900	4.258	120	7	5-535549-1
2	6.900	7.258	210		535549-2
	3.900	4.258	120		535549-1
FINISH	B	A	NO OF POSN	PART NUMBER	

DIMENSIONS:		TOLERANCES UNLESS OTHERWISE SPECIFIED:		DWN		Tyco Electronics		Tyco Electronics Corporation		
INCHES		0 PLC	± -	M.BINNER	02OCT06	Harrisburg, PA 17105-3608				
		1 PLC	± -	CHK	J.OLSON	NAME		RECEPTACLE ASSEMBLY, MODII, CLOSED ENTRY, WITH GUIDE PIN EARS		
		2 PLC	± -	APVD	J.OLSON	PRODUCT SPEC				
		3 PLC	± .005	PRODUCT SPEC		APPLICATION SPEC				
		4 PLC	± -	APVD		SIZE		CAGE CODE	DRAWING NO	RESTRICTED TO
		ANGLES	± -	PRODUCT SPEC		A2		00779	C=535549	-
MATERIAL	1	FINISH	SEE TABLE	WEIGHT	-	SCALE		4:1	SHEET	1 OF 1
				CUSTOMER DRAWING		SCALE		4:1	SHEET	1 OF 1
						SCALE		4:1	SHEET	1 OF 1
						SCALE		4:1	SHEET	1 OF 1
						SCALE		4:1	SHEET	1 OF 1

单击下面可查看定价，库存，交付和生命周期等信息

[>>TE Connectivity\(泰科\)](#)