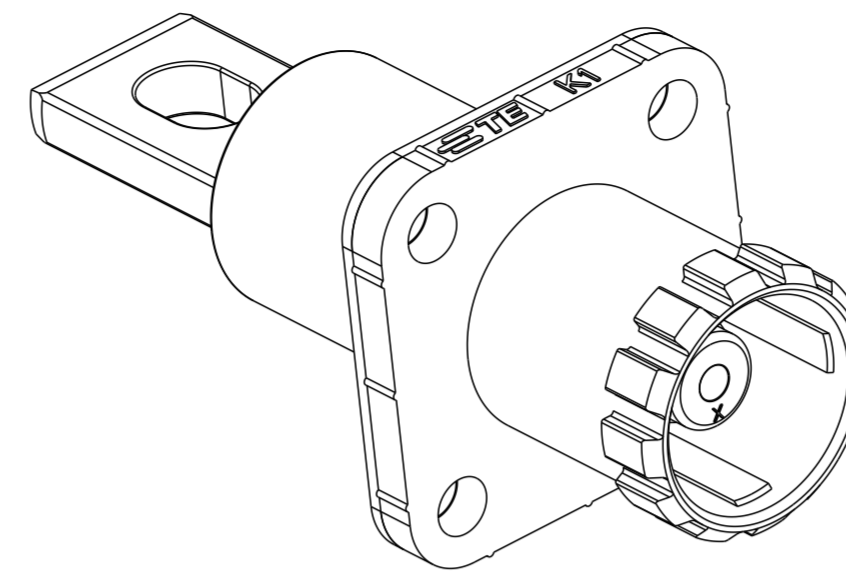
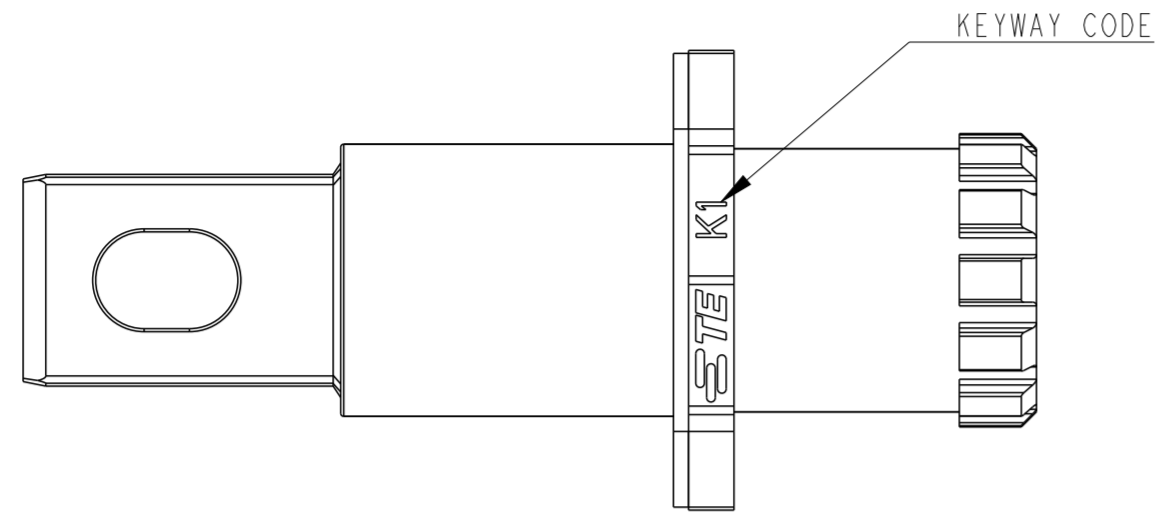


P	LTR	DESCRIPTION	DATE	DWN	APVD
A		INITIAL RELEASE	28APR2022	AD	CW

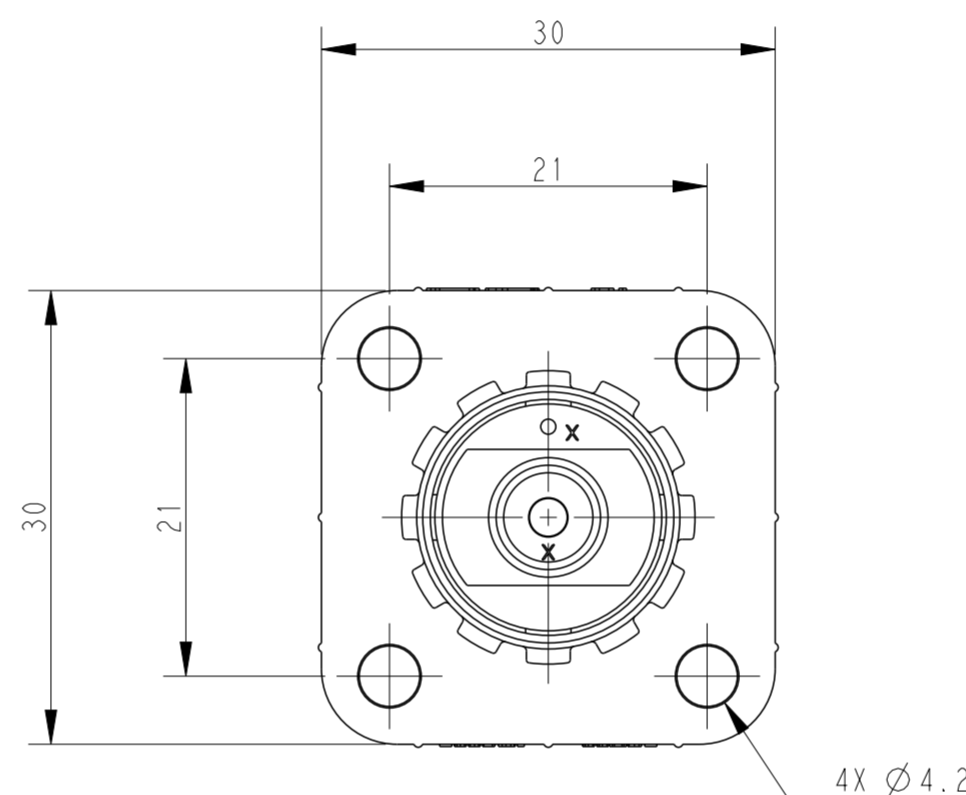
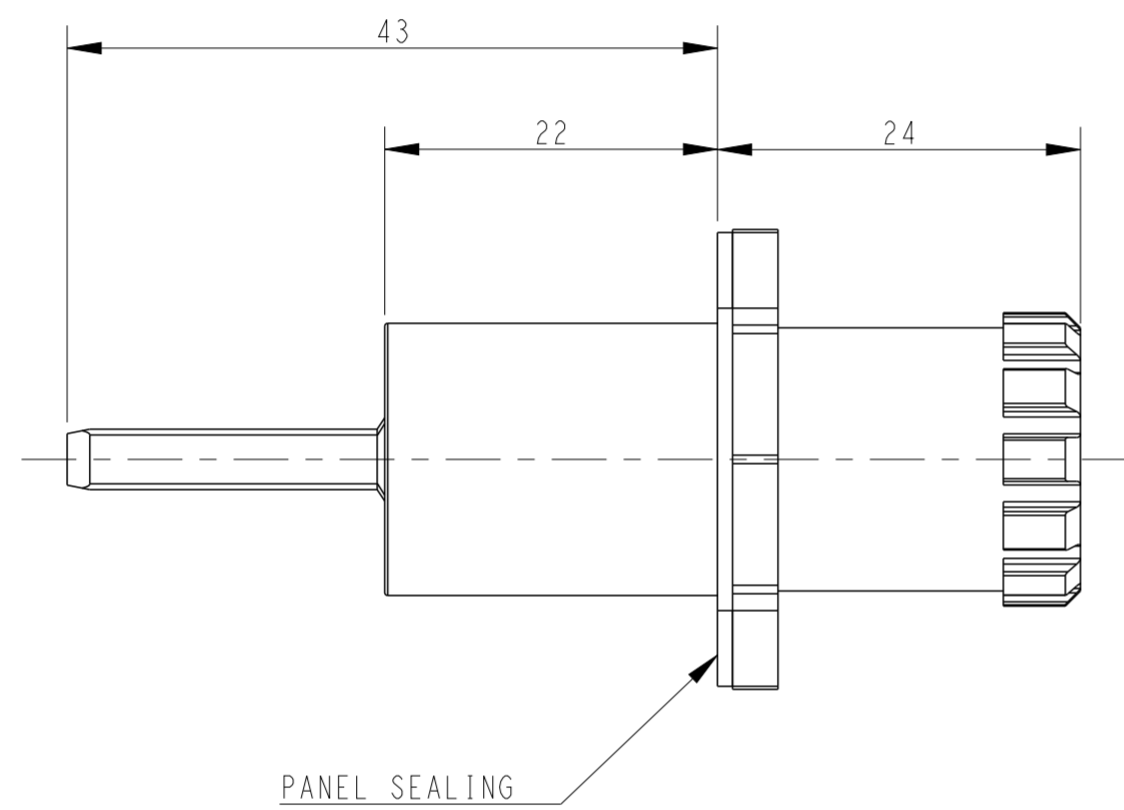


NOTES:

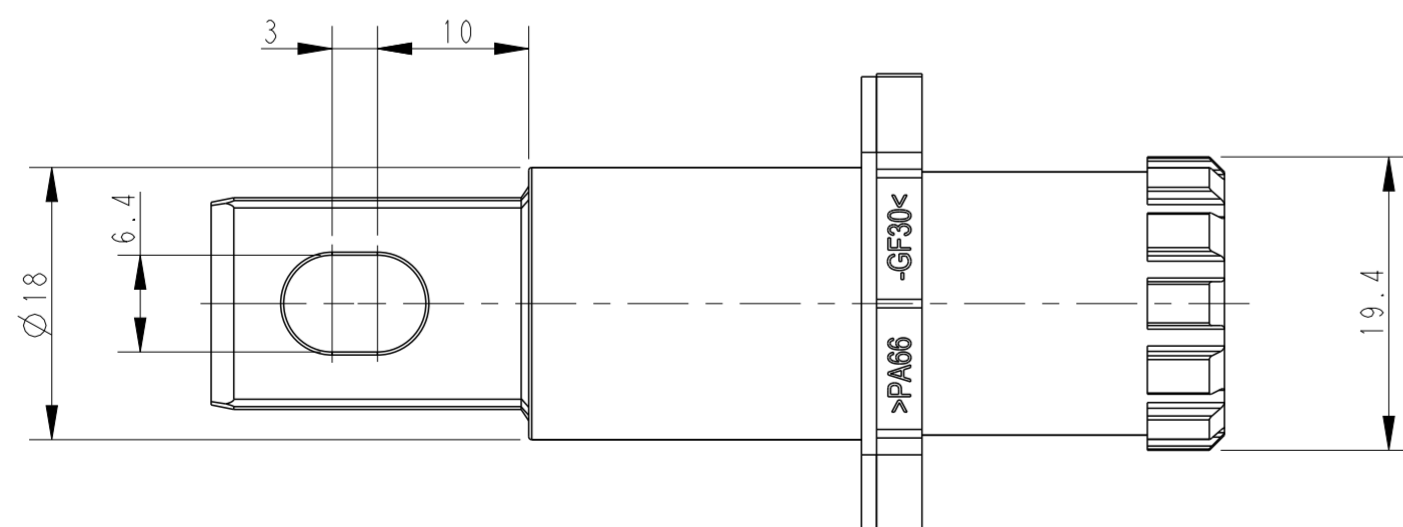
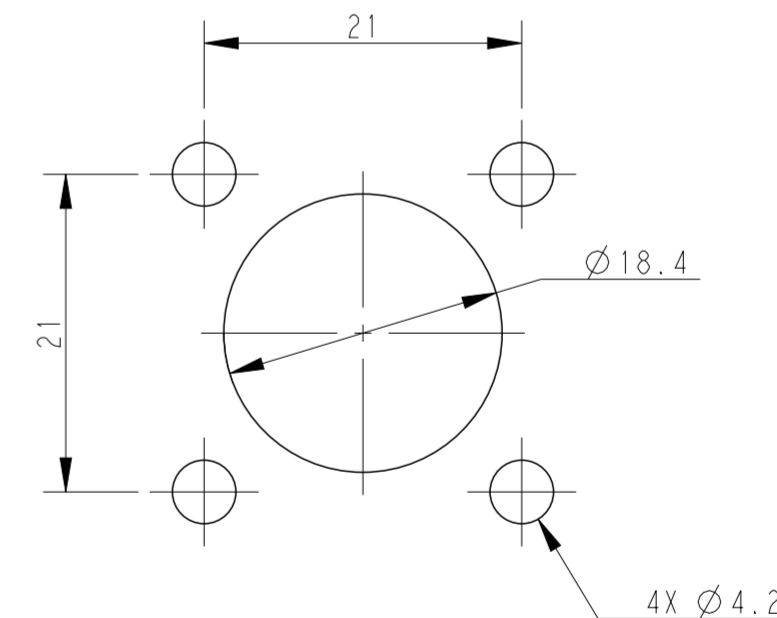
- TECHNICAL CHARACTERISTICS:
 RATED VOLTAGE: 1500V
 RATED CURRENT: 200A
 INSULATION RESISTANCE: >=5000MΩ
 RATED WITHSTAND VOLTAGE: 6.8KV
 POLLUTION DEGREE: 3
 CONTACT RESISTANCE: <0.5mΩ
 PROTECTION CLASS: IP67 (MATED)
 MATING CYCLES: 500 CYCLES
 OPERATION TEMPERATURE: -40°C~+125°C
 COLOR: ORANGE / BLACK

注释:

- 技术参数:
 额定电压: 1500V
 额定电流: 200A
 绝缘电阻: >=5000MΩ
 额定耐电压: 6.8KV
 污染等级: 3
 接触电阻: <0.5mΩ
 防护等级: IP67(配合)
 插拔次数: 500次
 工作温度: -40°C~+125°C
 颜色: 橙色 / 黑色



RECOMMENDED PANEL LAYOUT



H101100030A-000	HPC-200-M-R-OR-01	HPC, 200A, MALE RECEPTACLE, ORANGE, SINGLE CONNECTOR HPC, 200A公端插座橙色单芯连接器			
H101100130A-000	HPC-200-M-R-BK-01	HPC, 200A, MALE RECEPTACLE, BLACK, SIGNLE CONNECTOR HPC, 200A公端插座黑色单芯连接器			
PART NUMBER 料号		DESCRIPTION 描述			
THIS DRAWING IS A CONTROLLED DOCUMENT.		DWN Alan Dong 24MAR2022	TE Connectivity		
		CHK Gino Yao 24MAR2022			
		APVD Chris Wang 24MAR2022			
		NAME Chris Wang			
DIMENSIONS: mm		TOLERANCES UNLESS OTHERWISE SPECIFIED:		PRODUCT SPEC 108-137616	
		0 PLC ±		APPLICATION SPEC 114-137616	
		1 PLC ±		SIZE A2	
		2 PLC ±		CAGE CODE 00779	
		3 PLC ±		DRAWING NO H101100X30A000	
		4 PLC ±		RESTRICTED TO -	
		ANGLES ±		SCALE 2:1	
MATERIAL -		FINISH -		SHEET 1 OF 1	
				REV A	
		WEIGHT 51.5 g		CUSTOMER DRAWING	

单击下面可查看定价，库存，交付和生命周期等信息

[>>TE Connectivity\(泰科\)](#)