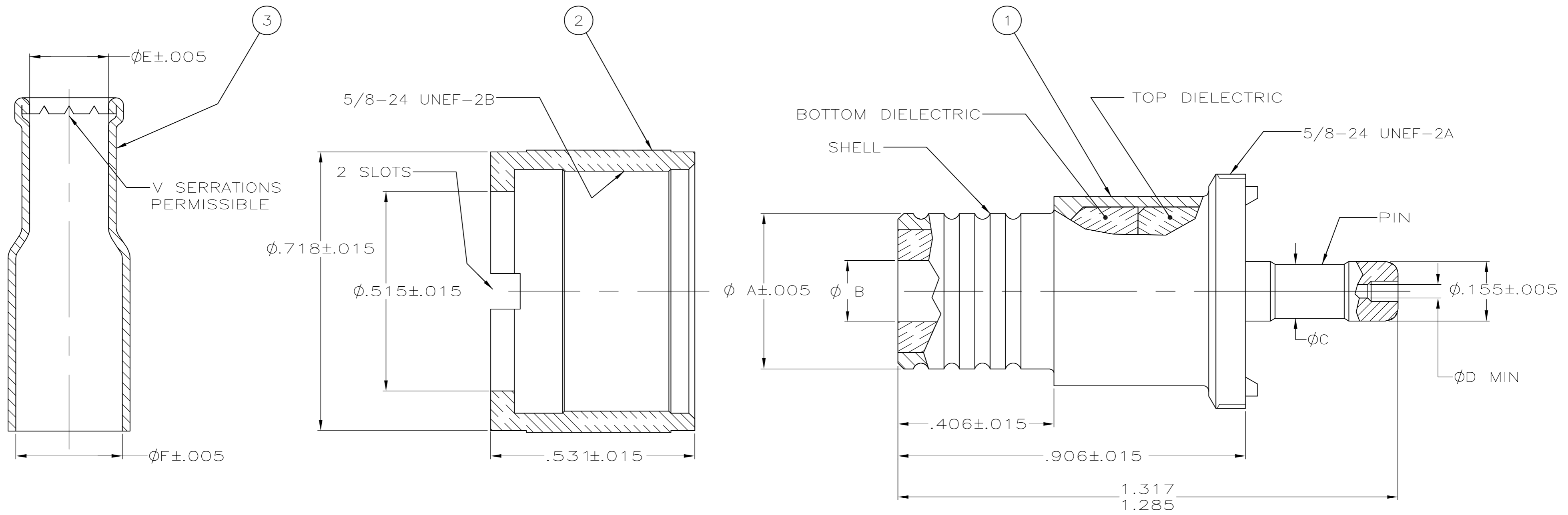


THIS DRAWING IS UNPUBLISHED. RELEASED FOR PUBLICATION
 © COPYRIGHT BY TYCO ELECTRONICS CORPORATION. ALL RIGHTS RESERVED.

LOC	DIST	REVISIONS					
AJ	16	P	LTR	DESCRIPTION	DATE	DWN	APVD
		A		REV PER ECO 06-002539	06APR06	GB	JH



.705 OZ	.875	.277	.205	.057	.141	.130	.233	RG-58/U	9-330915-1	9-330914-0	9-330913-1	2-5330830-4
-	.875	.448	.425	.088	-	.295	.405	RG-8, RG-8A, RG-213/U	9-330915-0	9-330914-0	9-330913-0	5330830
WEIGHT	G	F	E	D	C	B	A	CABLE SIZE	FERRULE QTY=1	COLLAR QTY=1	PLUG ASSY QTY=1	PART NUMBER
									3	2	1	

ITEM	MATERIAL AND FINISH
1	COPPER PER QQ-C-576 SILVER PL PER QQ-S-365 .0002 MIN. EXT THK.
2	BRASS PER ASTM B 16 SILVER PL PER QQ-S-365 .0002 MIN. EXT THK.
3	PIN: BRONZE PER ASTM-B-140 SILVER PL PER QQ-S-365 .0002 MIN. EXT THK. DIELECTRIC, TOP & BOTTOM: POLYPROPYLENE (GENERAL PURPOSE) SHELL: BRASS PER ASTM B 16 SILVER PL PER QQ-S-365 .0002 MIN. EXT THK.

THIS DRAWING IS A CONTROLLED DOCUMENT.

DWN	L. VARELA - DOCK5	21APR2005
CHK	J. HAVENER	21APR2005
APVD	G. MICHAEL	21APR2005

NAME: COAXICON CONNECTOR UHF PLUG

SIZE: A2 CAGE CODE: 00779 DRAWING NO: C=5330830

WEIGHT: SEE TABLE SCALE: 2:1 SHEET: 1 of 1

CUSTOMER DRAWING

单击下面可查看定价，库存，交付和生命周期等信息

[>>TE Connectivity\(泰科\)](#)