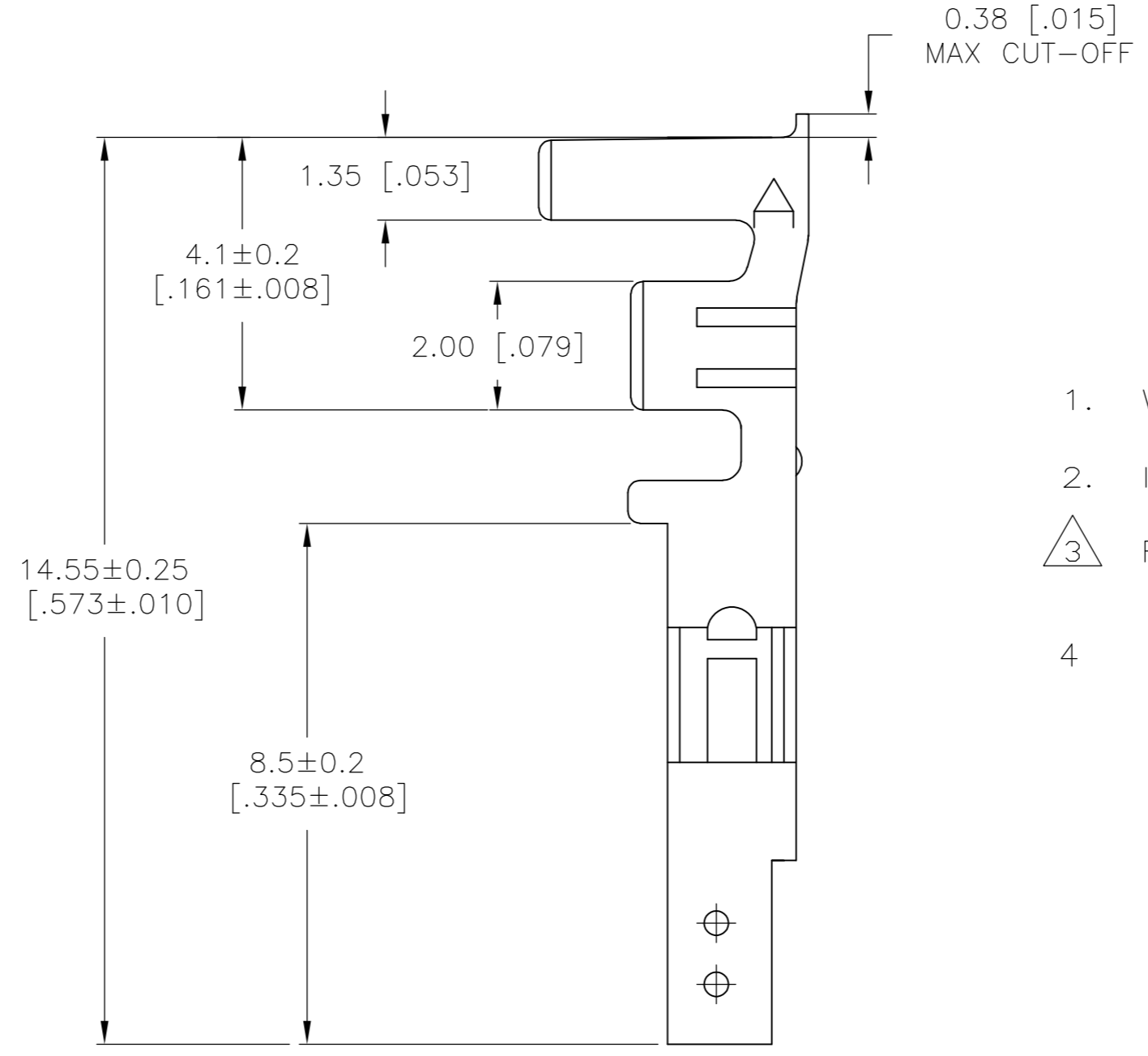
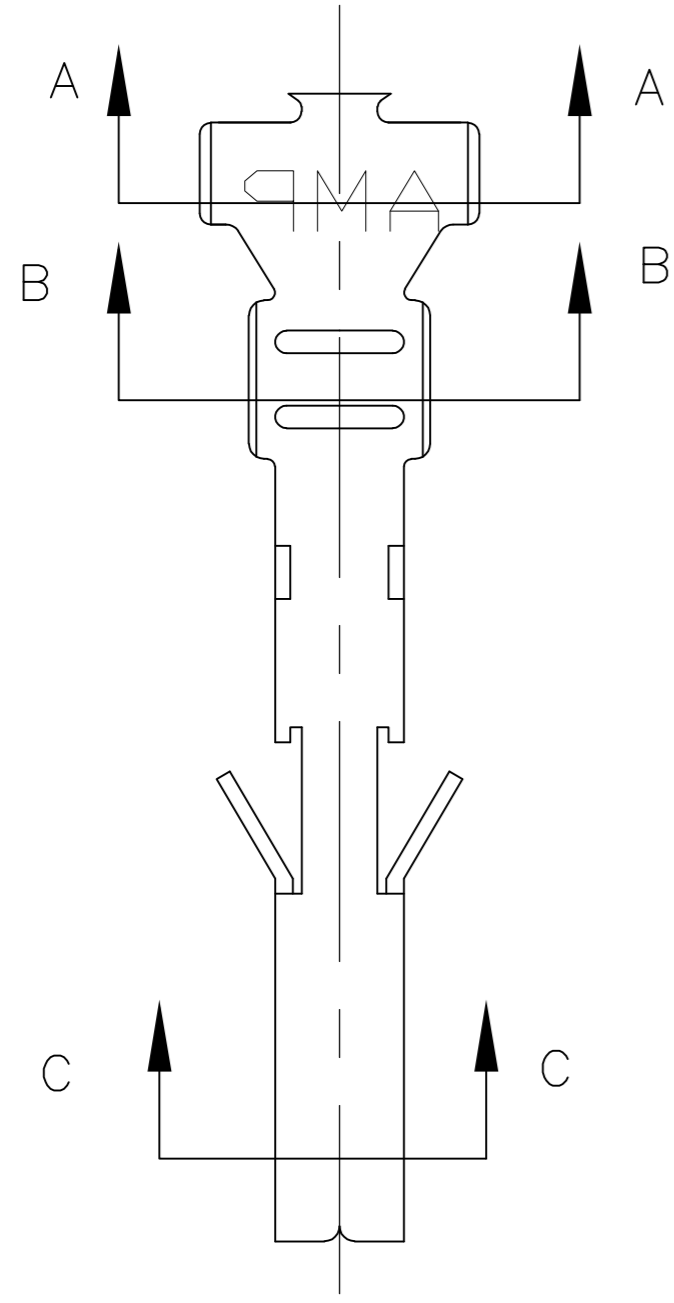
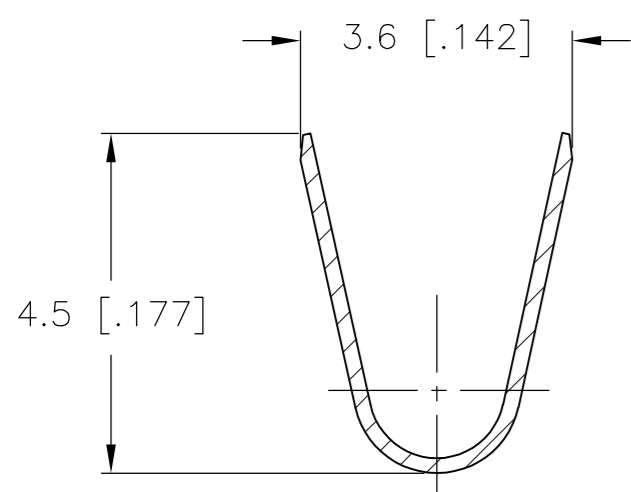


THIS DRAWING IS UNPUBLISHED. RELEASED FOR PUBLICATION
 © COPYRIGHT - By - ALL RIGHTS RESERVED.

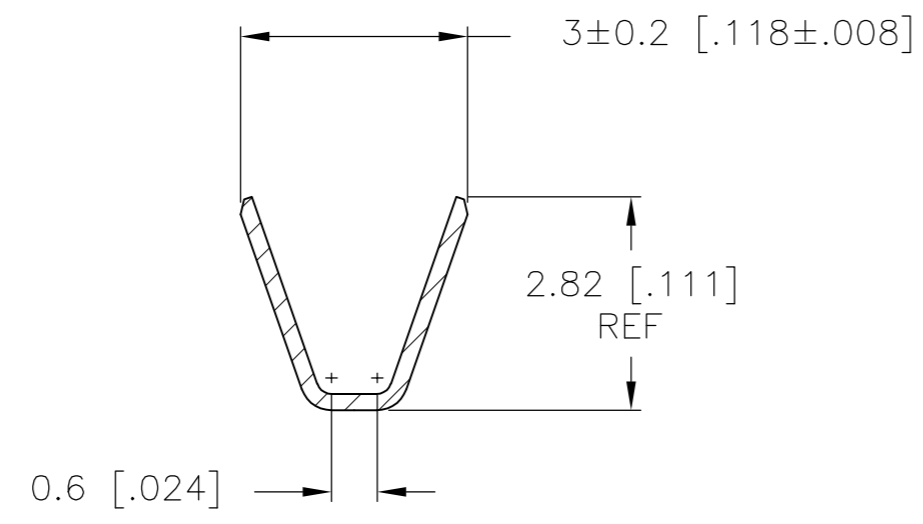
REVISIONS				
P	LTR	DESCRIPTION	DATE	APVD
A		FIRST RELEASED	15AUG2017	WH DZ



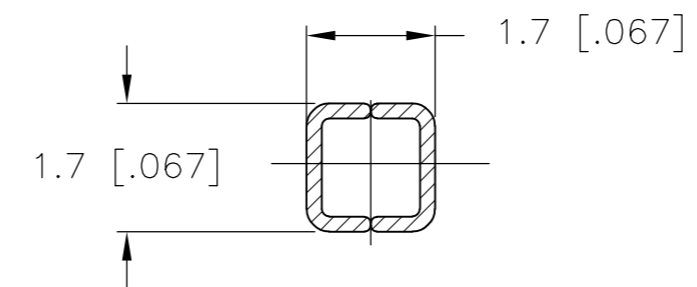
1. WIRE SIZE: 1.31mm² (16 AWG)
2. INSULATION RANGE: DIA 1.80–3.10mm [.071–.122 in].
- △3 FINISH: 2.54um MIN PRE-TIN ALL OVER, WITH 0.762um MIN NICKEL UNDER-PLATING ALL OVER.
4. MATING PART: 2825206-1 (STRIP TYPE) OR 2825208-1 (LOOSE TYPE)



SECTION A-A



SECTION B-B



SECTION C-C

PRE-TIN △3	HIGH PERFORMANCE COPPER ALLOY	2825209-1
FINISH:	MATERIAL:	PART NO.

THIS DRAWING IS A CONTROLLED DOCUMENT.		DWN WARREN HUO 15AUG2017	TE Connectivity		
DIMENSIONS: mm [INCHES]		CHK DANIEL ZHANG 15AUG2017			
TOLERANCES UNLESS OTHERWISE SPECIFIED:		APVD DANIEL ZHANG 15AUG2017			
0 PLC ± 1 PLC ± 0.25 [.010] 2 PLC ± 0.13 [.005] 3 PLC ± - 4 PLC ± ANGLES ±		NAME			
MATERIAL SEE TABLE		FINISH SEE TABLE	PRODUCT SPEC 108-150000	TERMINAL VAL-U-LOK(TM) HCS SOCKET (LOOSE PIECE)	
CUSTOMER DRAWING		WEIGHT 0	APPLICATION SPEC 114-13172	SIZE A2	RESTRICTED TO -
		SCALE N/A	CAGE CODE 00779	DRAWING NO C=2825209	REV A
			SHEET 1 OF 1		

2825209

单击下面可查看定价，库存，交付和生命周期等信息

[>>TE Connectivity\(泰科\)](#)