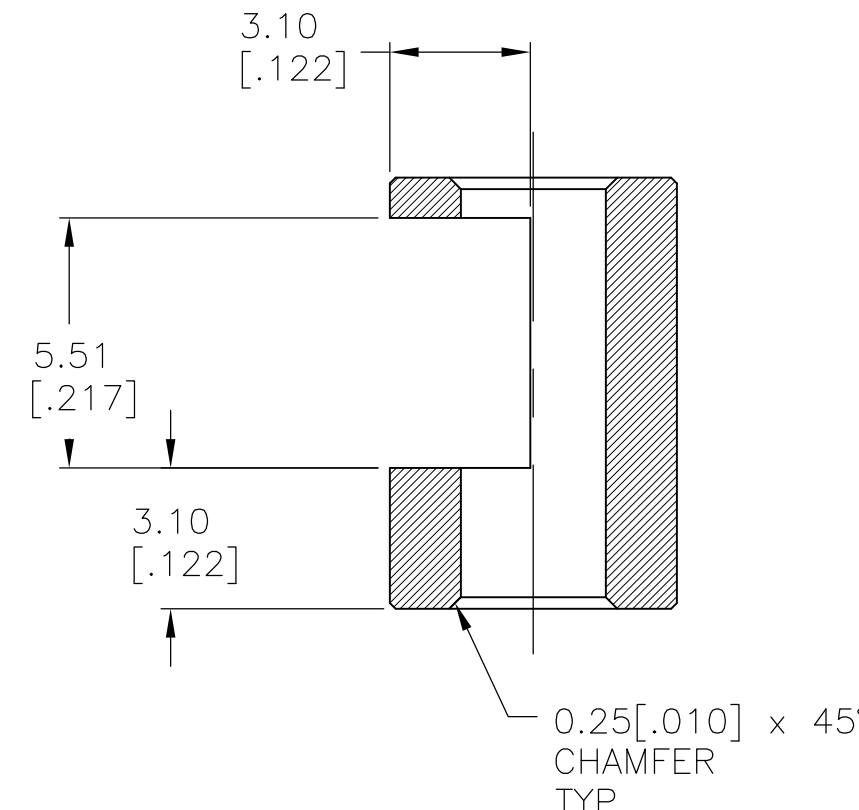
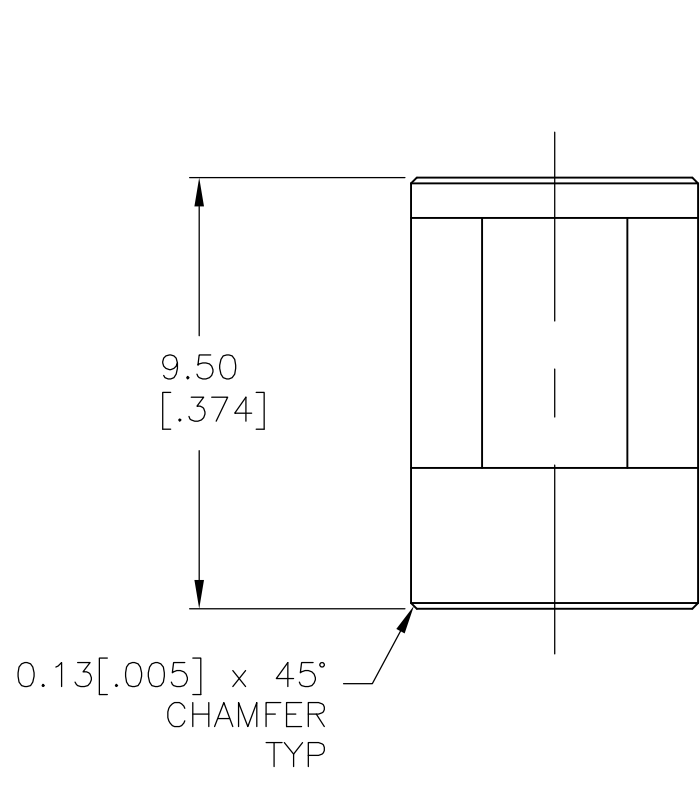
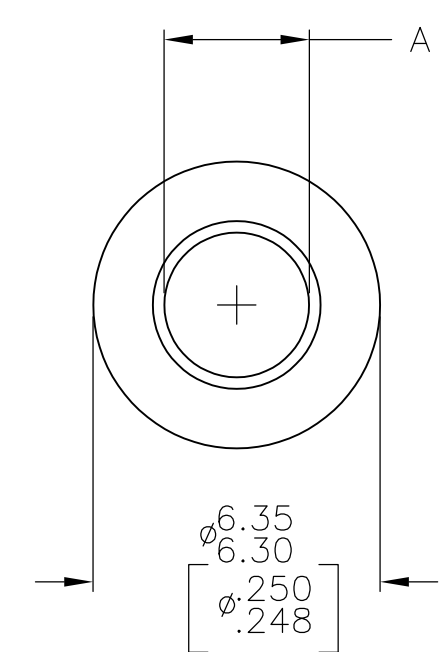


THIS DRAWING IS UNPUBLISHED. RELEASED FOR PUBLICATION  
 © COPYRIGHT - By - ALL RIGHTS RESERVED.

LOC	DIST	REVISIONS			
P	LTR	DESCRIPTION	DATE	DWN	APVD
AD	00	A1	REVISED PER ECO-11-004917	11MAR11	RK HMR



- △ 1 BRASS
- △ 2 NICKEL PLATE ELECTRODEPOSITED



4.09 <sup>+0.08</sup> <sub>-0.0</sub> [.161 <sup>+0.003</sup> <sub>-.000</sub> ]	△ 2	△ 1	KR-304	1825620-3
4.83 <sup>+0.08</sup> <sub>-0.0</sub> [.190 <sup>+0.003</sup> <sub>-.000</sub> ]	△ 2	△ 1	KR-204	1825620-2
3.20 <sup>+0.08</sup> <sub>-0.0</sub> [.126 <sup>+0.003</sup> <sub>-.000</sub> ]	△ 2	△ 1	KR-104	1825620-1
A	FINISH	MATERIAL	ALCO P/N	P/N

THIS DRAWING IS A CONTROLLED DOCUMENT.		DWN M.BINNER 18OCT2007	<b>STE</b> TE Connectivity														
DIMENSIONS: mm [INCHES]		CHK M.WILBOURN 18OCT07															
TOLERANCES UNLESS OTHERWISE SPECIFIED:		APVD M.WILBOURN 18OCT07	NAME SHAFT ADAPTER														
<table border="0"> <tr><td>0 PLC</td><td>± -</td></tr> <tr><td>1 PLC</td><td>± -</td></tr> <tr><td>2 PLC</td><td>± 0.13 [.005]</td></tr> <tr><td>3 PLC</td><td>± -</td></tr> <tr><td>4 PLC</td><td>± -</td></tr> <tr><td>ANGLES</td><td>± 5°</td></tr> </table>		0 PLC	± -	1 PLC	± -	2 PLC	± 0.13 [.005]	3 PLC	± -	4 PLC	± -	ANGLES	± 5°	PRODUCT SPEC -	SIZE A3		
0 PLC	± -																
1 PLC	± -																
2 PLC	± 0.13 [.005]																
3 PLC	± -																
4 PLC	± -																
ANGLES	± 5°																
MATERIAL SEE TABLE		APPLICATION SPEC -	CAGE CODE 00779	DRAWING NO C-1825620	RESTRICTED TO -												
FINISH SEE TABLE		WEIGHT -	SCALE 8:1														
CUSTOMER DRAWING			SHEET 1 OF 1		REV A1												

单击下面可查看定价，库存，交付和生命周期等信息

[>>TE Connectivity\(泰科\)](#)