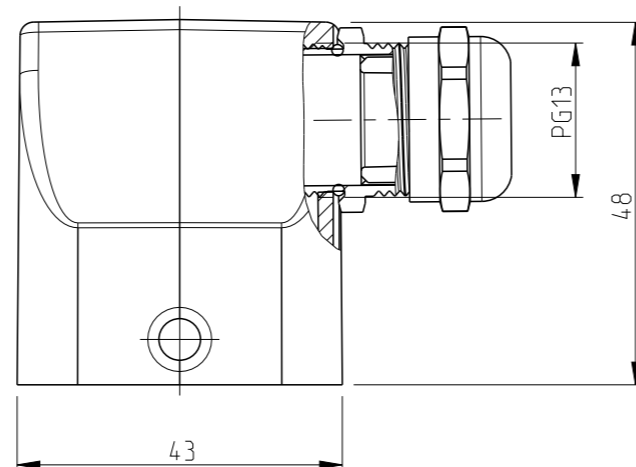
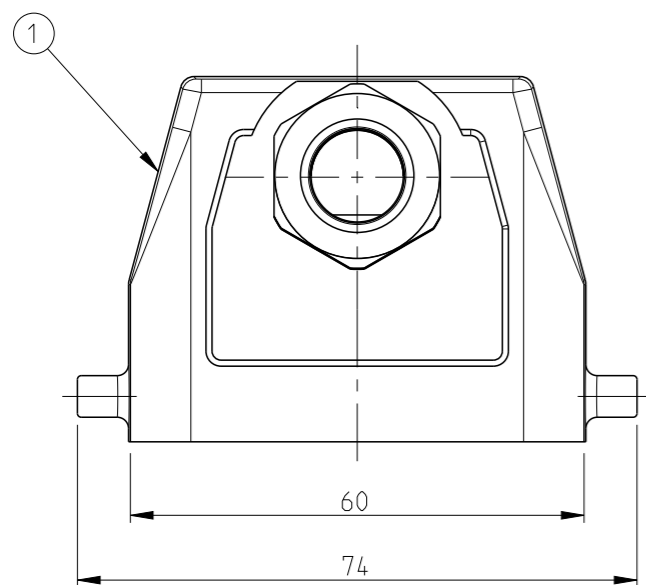


P	LTR	DESCRIPTION	DATE	DWN	APVD
B2		RELEASED AS PER ECR-07-030416	17.12.07	SP	TS
C		ECR-20-007544	08JUN2020	QY	JB

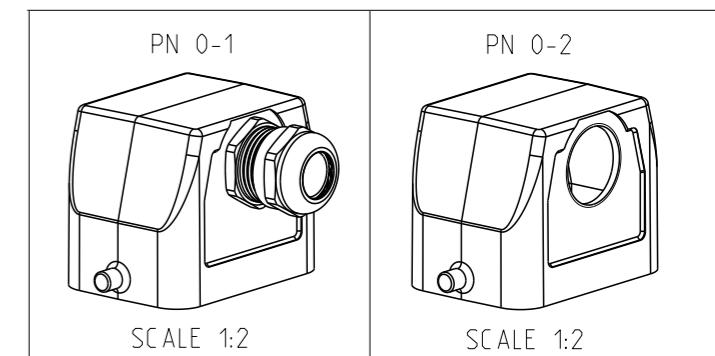
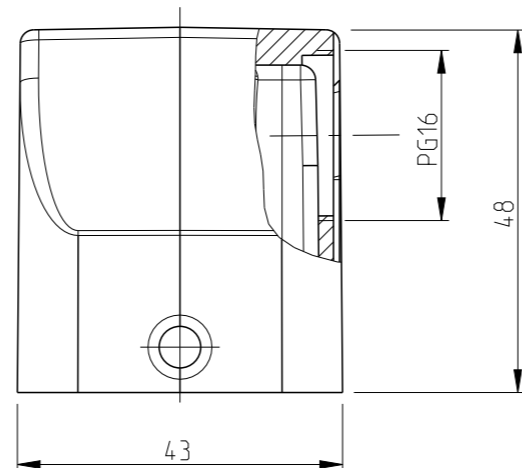
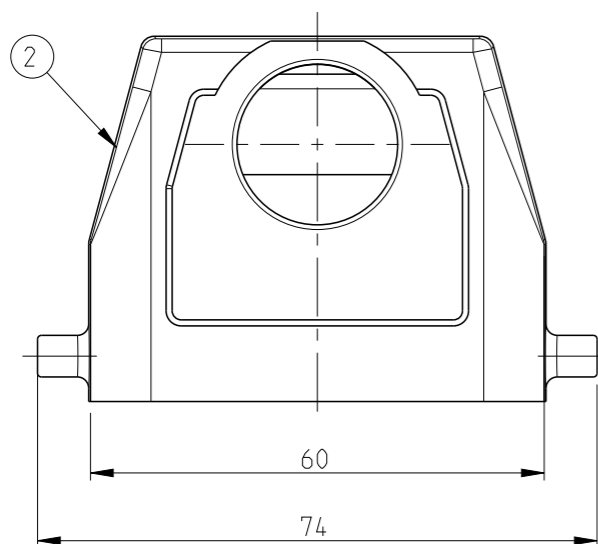
PN 0-1



NOTES

- 1 MATERIAL: HOUSING: ALUMINIUM DIECASTING ALLOY
- 2 SURFACE:- VARNISH-GREY
- 3 VARNISH ON THE INSIDE NOT NECESSARY
- 4 PACKAGING
PACKAGING QUANTITY: 5 PIECES IN BOX

PN 0-2



REV	REV	DESCRIPTION	MATERIAL	SURFACE	COLOR	ITEM NO	NOTES
1	-	Hood HB.6 PG16	ALUMINIUM	-	GREY	2	
-	1	Hood HB.6 PG13	ALUMINIUM	-	GREY	1	
0-2	0-1						
		HB.6.STW .1.13					
		HB.6.STW .1.16.G					

THIS DRAWING IS A CONTROLLED DOCUMENT.

DIMENSIONS:	TOLERANCES UNLESS OTHERWISE SPECIFIED:
mm	0 PLC ±
	1 PLC ±
	2 PLC ±
	3 PLC ±
	4 PLC ±
	ANGLES ±
MATERIAL	FINISH
-	-

DWN	30.03.00
CHK	30.03.00
APVD	



PRODUCT SPEC	NAME		
APPLICATION SPEC	HOOD HB.6.STW		
WEIGHT	SIZE	CAGE CODE	DRAWING NO
	A3	00779	C-1108770
CUSTOMER DRAWING	SCALE	SHEET	REV
	1:1	1 OF 1	C

单击下面可查看定价，库存，交付和生命周期等信息

[>>TE Connectivity\(泰科\)](#)