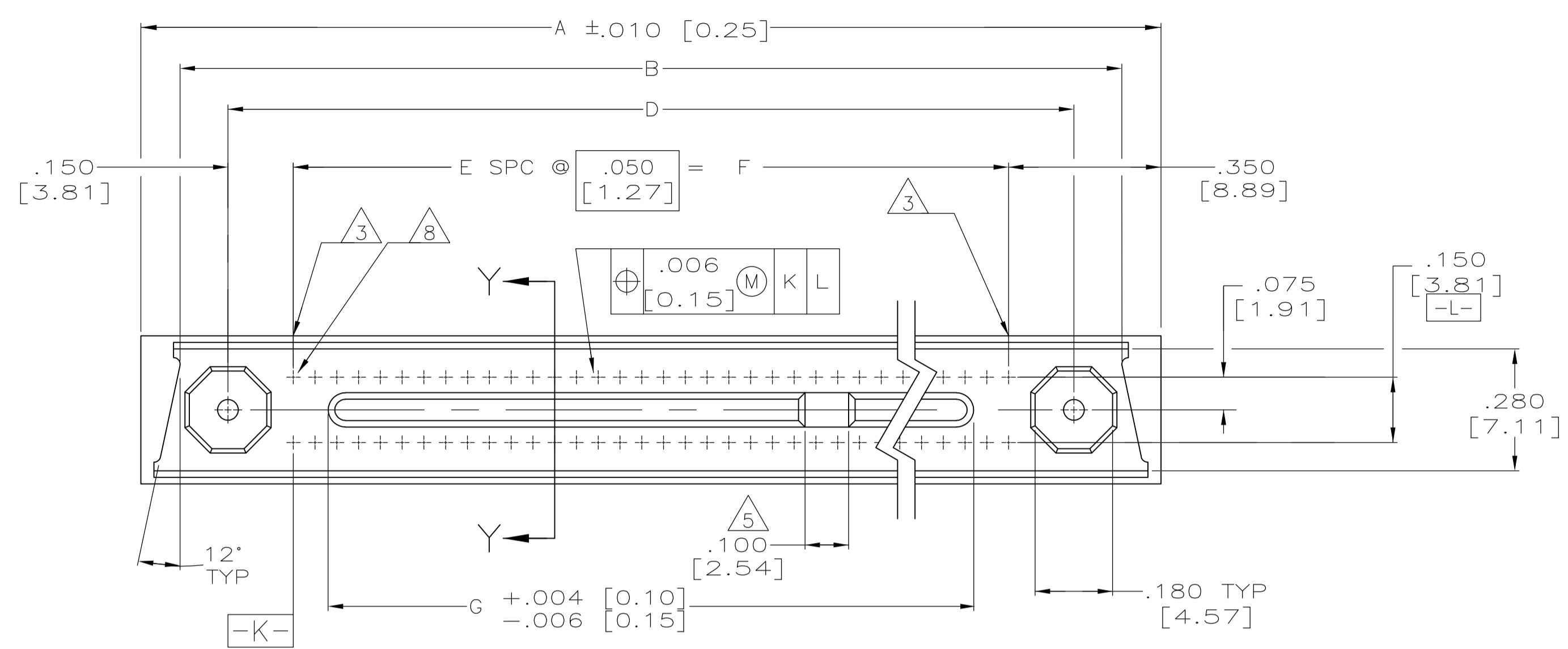
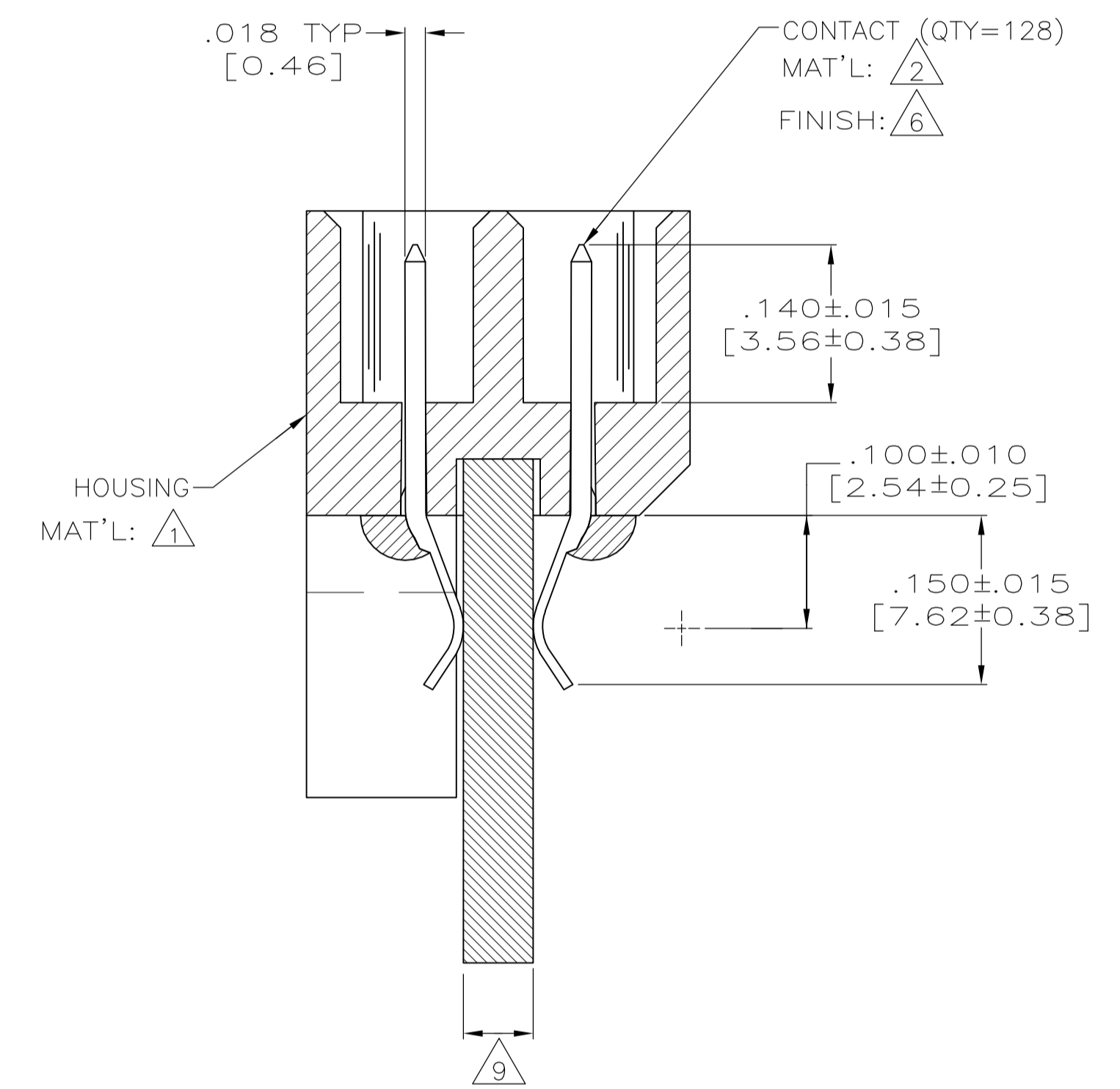
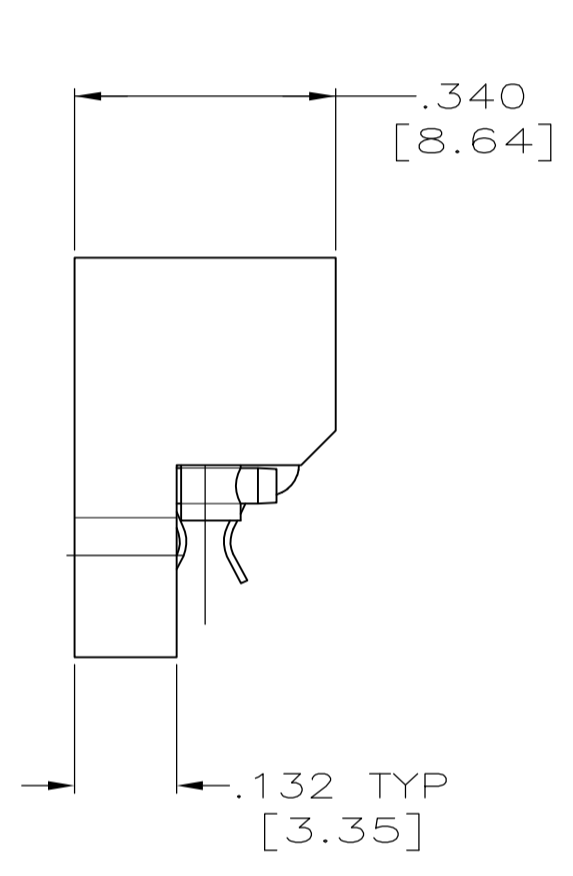
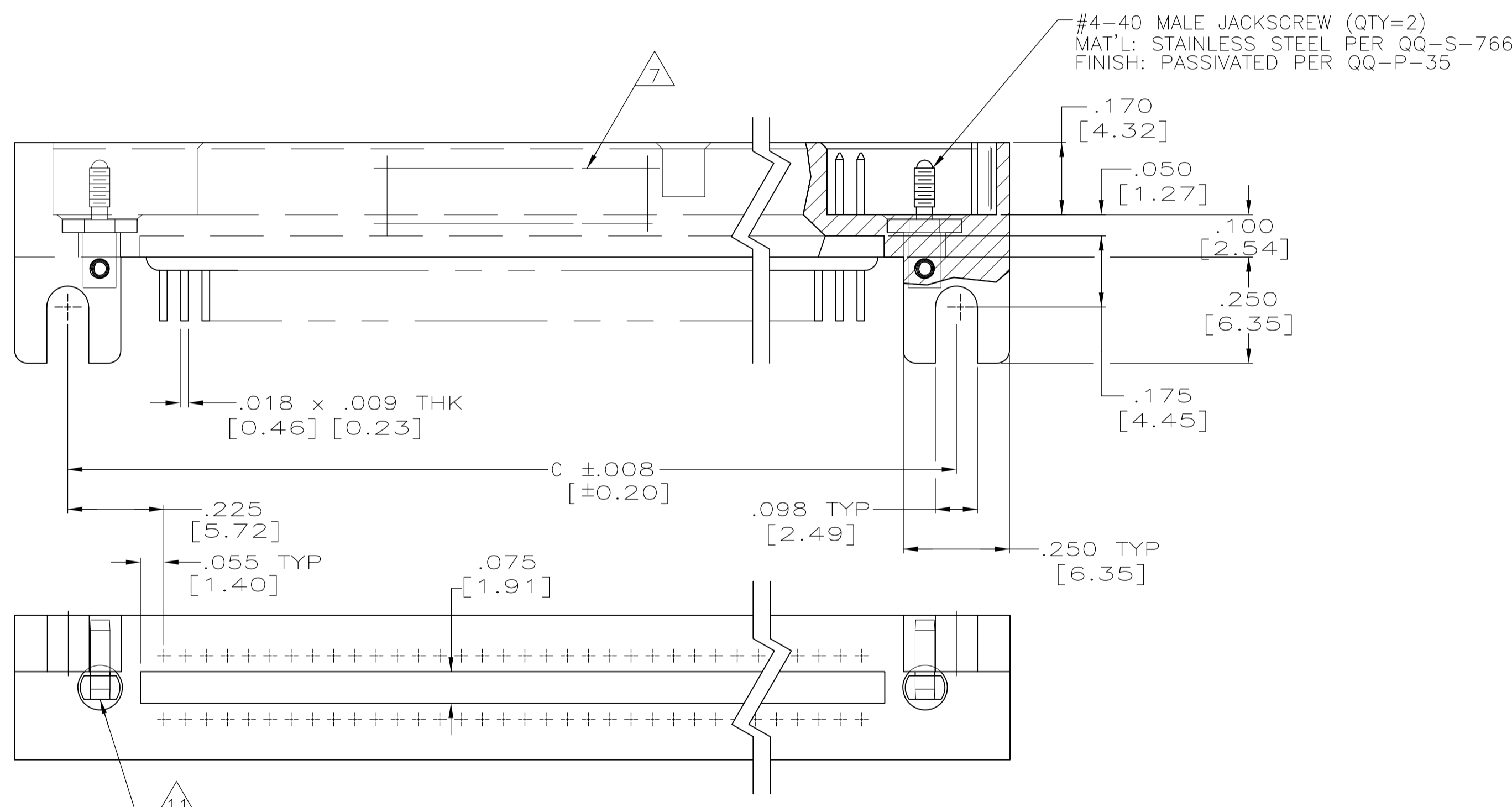


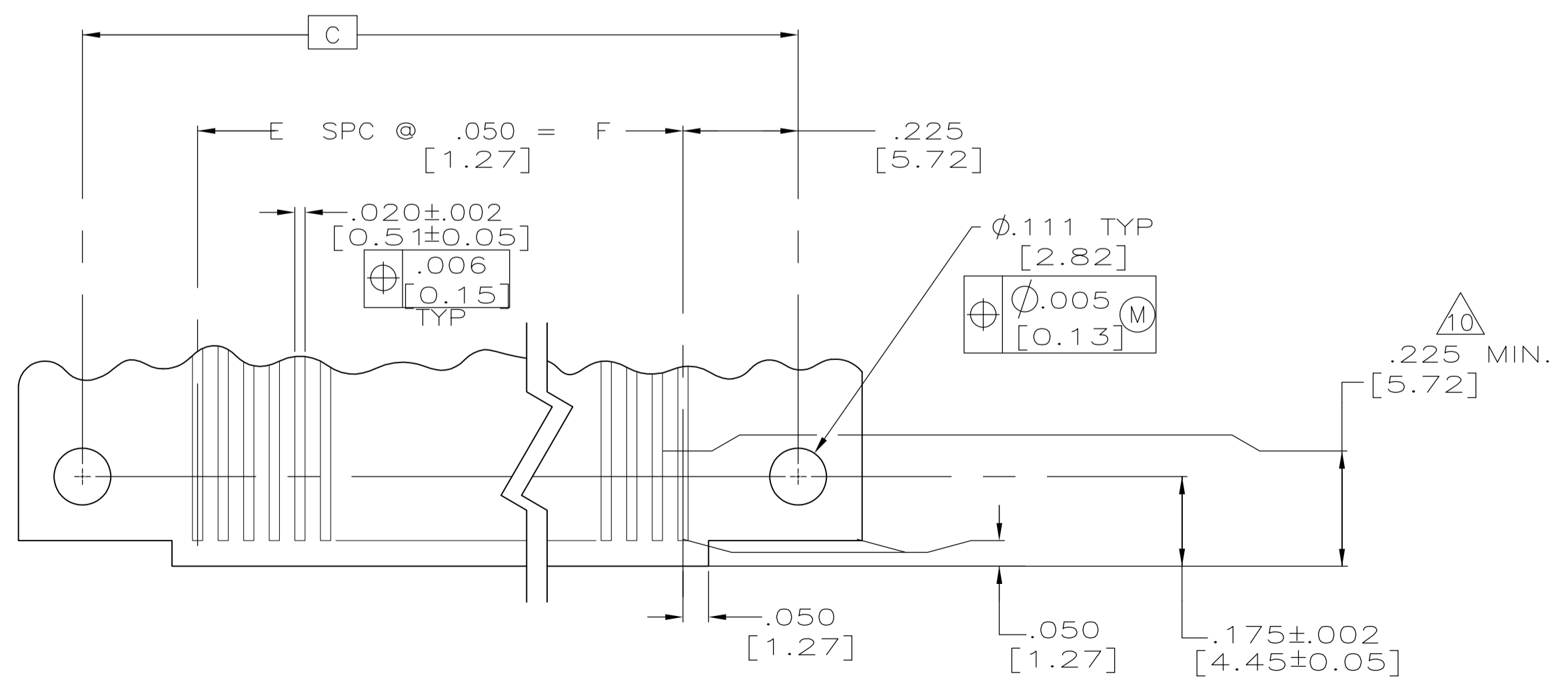
LOC		DIST		REVISIONS			
DF	FO	REV	DATE	BY	CHK	APPV	
A		1	11NOV08	CT	SG		REVISED PER ECO-08-025660



- 1 HOUSING MATERIAL: LIQUID CRYSTAL POLYMER PER MIL-M-24519, GLCP-30F; COLOR: GRAY.
- 2 CONTACT MATERIAL: BRASS.
- 3 END CAVITY IDENTIFICATION NUMBERS, MARKED, (SEE TABLE).
- 4 MEETS ALL APPLICABLE REQUIREMENTS OF MIL-C-55302.
- 5 EXCEPT 20 THRU 50 POSITIONS.
- 6 CONTACT FINISH: GOLD PLATED .000050 [0.0013] MIN THK PER MIL-G-45204 ON MATING END. SOLDER TAILS: TIN-LEAD PLATED FOR SOLDERABILITY OVER NICKEL PER MIL-C-55302.
- 7 AMP, AMP PART NUMBER AND DATE CODE MARKED IN THIS APPROXIMATE AREA, FAR SIDE.
- 8 CAVITY NO. 1
- 9 .054-.070 [1.37-1.78] THICK PRINTED CIRCUIT BOARD.
- 10 MINIMUM PAD LENGTH ON PRINTED CIRCUIT BOARD.
- 11 PIN TO BE FLUSH TO .020 [0.51] RECESS, THIS SURFACE.



SECTION Y-Y
 SCALE 8:1
 (ROT.90° CW)



RECM. .P.C. BD. LAYOUT

1 & 64	2.990	3.150	63	3.450	3.600	3.670	3.850	128	443379-1
CAVITY IDENT	G	F	E	D	C	B	A	NO OF POSN	PART NUMBER
	[75.95]	[80.01]		[87.63]	[91.44]	[93.22]	[97.79]		

THIS DRAWING IS A CONTROLLED DOCUMENT.		DIN C.C.THOMAS 3-4-96	Tyco Electronics Corporation Harrisburg, PA 17105-3608	
DIMENSIONS: INCHES [mm]	TOLERANCES UNLESS OTHERWISE SPECIFIED:	CHK D. GUTTER 3-4-96	NAME D. GUTTER 3-4-96	PRODUCT SPEC
0 PLC ± -	1 PLC ± -	APPLICATION SPEC		
2 PLC ± -	3 PLC ± .005 [0.13]	WEIGHT		
4 PLC ± -	ANGLES ± -	CUSTOMER DRAWING		
MATERIAL SEE CALLOUTS	FINISH SEE CALLOUTS	SIZE A1	CAGE CODE 00779	DRAWING NO. 443379
		SCALE 4:1	SHEET 1 OF 1	REV A

单击下面可查看定价，库存，交付和生命周期等信息

[>>TE Connectivity\(泰科\)](#)