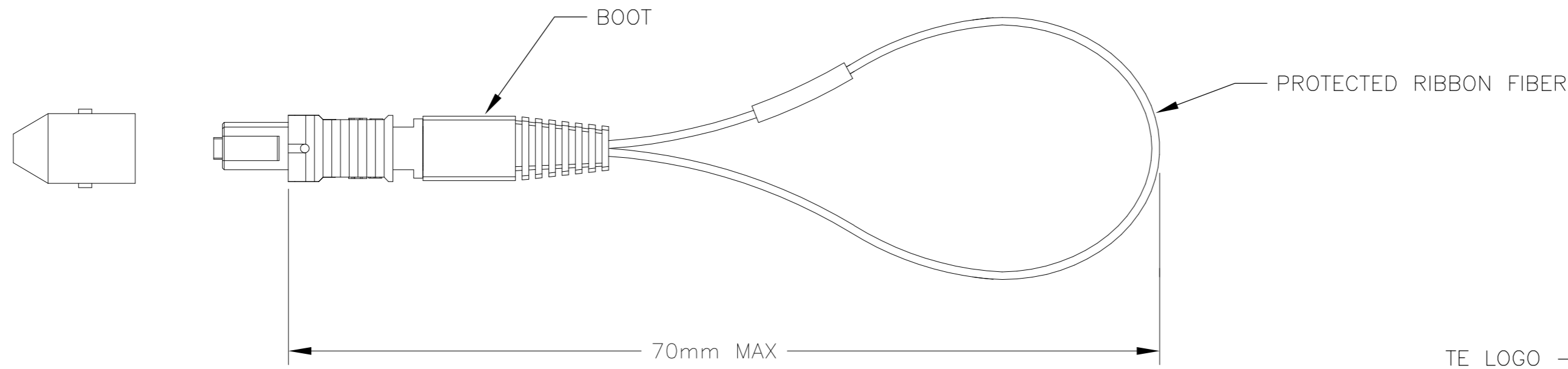


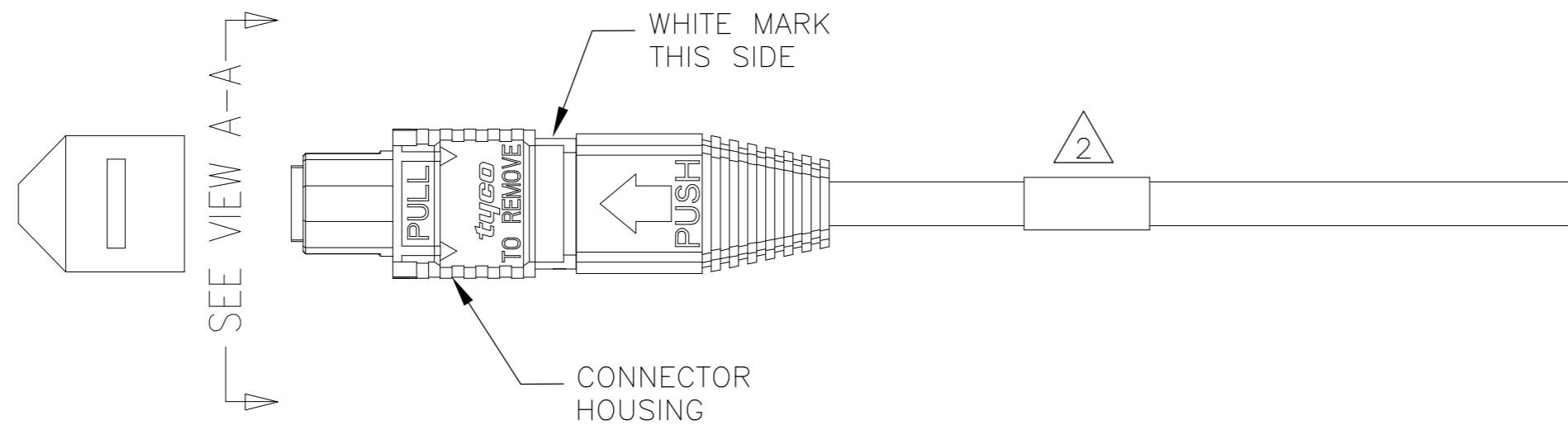
THIS DRAWING IS UNPUBLISHED. RELEASED FOR PUBLICATION
 © COPYRIGHT - By - ALL RIGHTS RESERVED.

LOC	DIST	REVISIONS			
P	LTR	DESCRIPTION	DATE	DWN	APVD
CE	17	A	ECR-15-018403	28DEC2015	BB SW

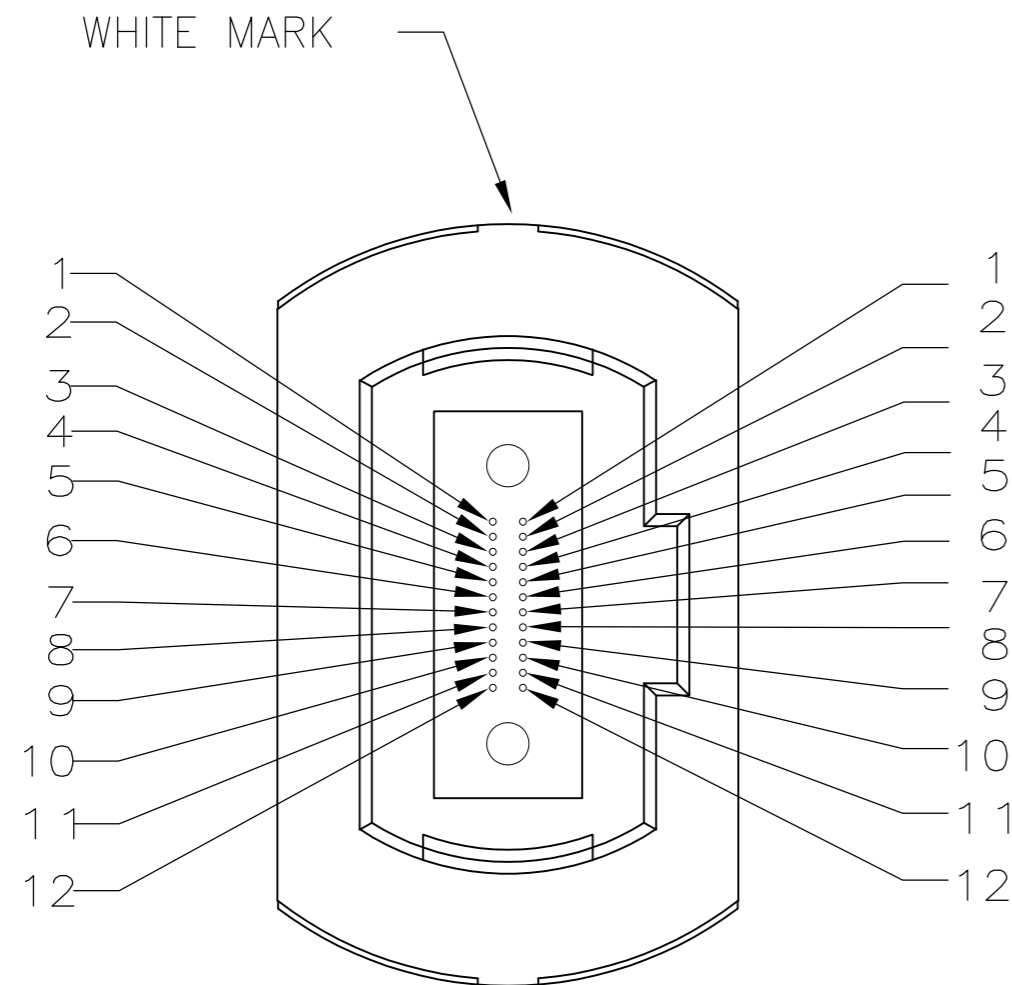


TE LOGO - XXXXXXXX-X —TE TRACE NO.
 —TE P/N

△ 2 TRACE LABEL DETAIL (NOT TO SCALE)



1. MAX. INSERTION LOSS EACH CHANNEL 2.0dB AT 850nm.
- △ 2 SEE TRACE LABEL DETAIL.
3. INCLUDE INSERTION LOSS DATA WITH EACH LOOPBACK
4. PRODUCT AND PROCESSING MUST MEET REQUIREMENTS OF TEC-138-702



FIBER NUMBER COLOR		
1	BLUE	1
2	ORANGE	2
3	GREEN	3
4	BROWN	4
5	SLATE	5
6	WHITE	6
7	RED	7
8	BLACK	8
9	YELLOW	9
10	VIOLET	10
11	ROSE	11
12	AQUA	12

VIEW A-A NTS

2123248-1
PART NUMBER

THIS DRAWING IS A CONTROLLED DOCUMENT.		DWN LG EBY 2-2-2010	TE Connectivity	
DIMENSIONS: mm		CHK F. ABENDSCHEIN 2-2-2010		
TOLERANCES UNLESS OTHERWISE SPECIFIED:		APVD D. BAECHTLE 2-2-2010	NAME CABLE ASSEMBLY, 24 FIBER MTP®50/125um PROTECTED RIBBON LOOPBACK	
0 PLC ± -		PRODUCT SPEC	SIZE A2 CAGE CODE 00779 C=2123248	
1 PLC ± -		APPLICATION SPEC	RESTRICTED TO	
2 PLC ± -		WEIGHT -	SCALE NTS SHEET 1 of 1 REV A	
3 PLC ± -		MATERIAL -		
4 PLC ± -		FINISH -		
ANGLES ± -		CUSTOMER DRAWING		

单击下面可查看定价，库存，交付和生命周期等信息

[>>TE Connectivity\(泰科\)](#)