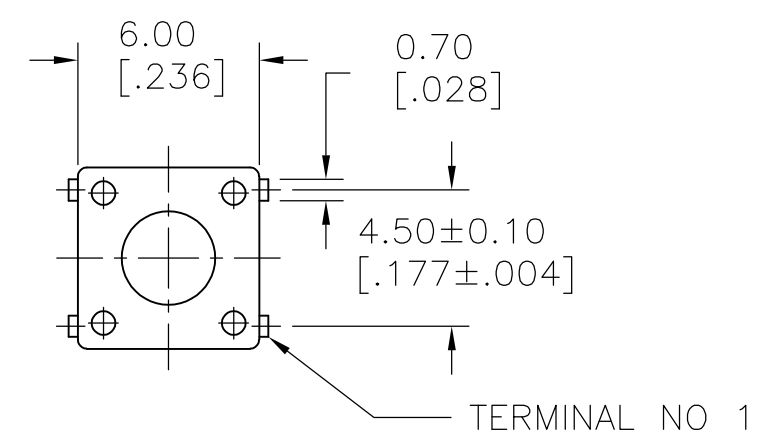
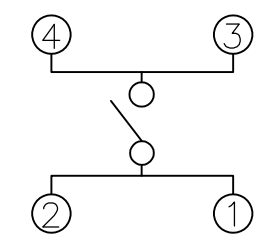


THIS DRAWING IS UNPUBLISHED. RELEASED FOR PUBLICATION
 © COPYRIGHT - By - ALL RIGHTS RESERVED.

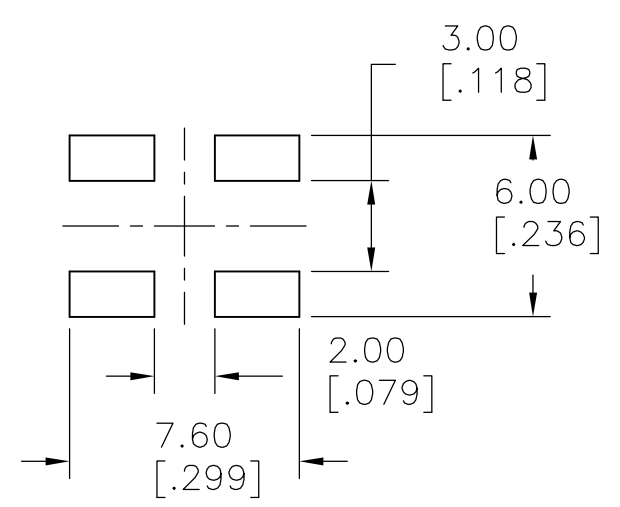
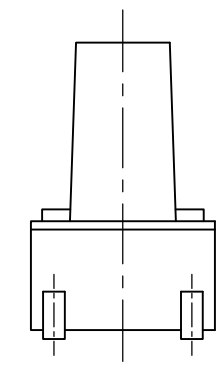
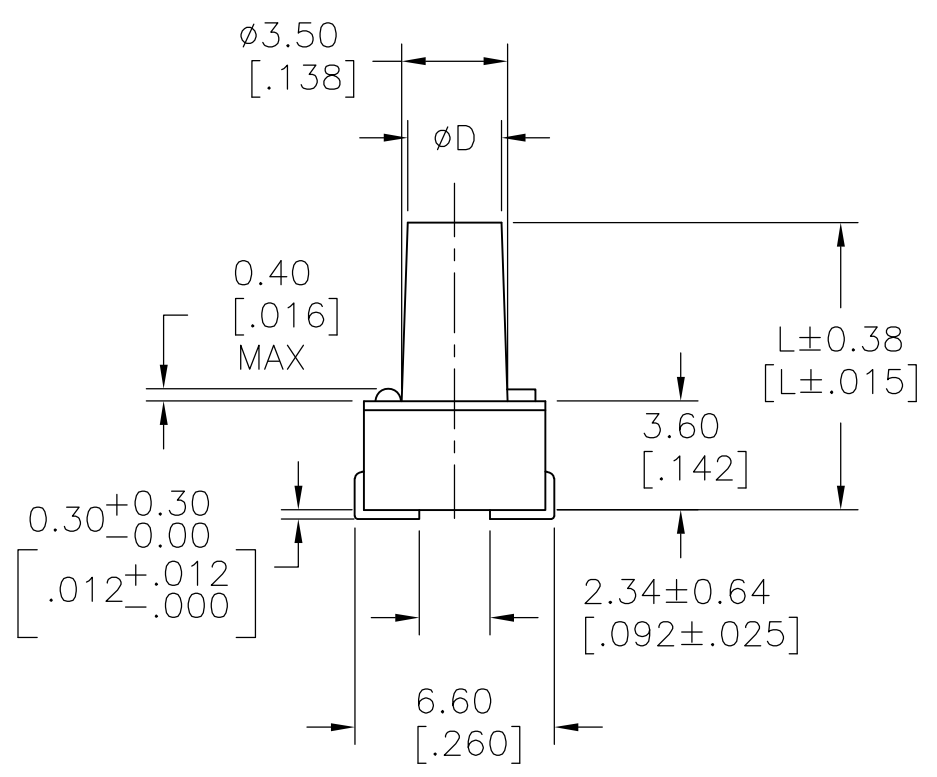
REVISIONS					
P	LTR	DESCRIPTION	DATE	DWN	APVD
	B	REVISED PER ECO-16-018632	05APR2017	SK	PO



CIRCUIT DIAGRAM



- 1 ACTUATOR TRAVEL: $0.25^{+0.2}_{-0.1}$ [$.010^{+.008}_{-.004}$].
- 2 CONTACT RESISTANCE: 100mΩ MAX.
- 3 ELECTRICAL RATING: 12VDC @ 50mA MAX.
- 4 OPERATING TEMP: -20° TO 70°C
45-85% RH
- 5 STORAGE TEMP: -30°C TO 80°C.
(96 HOURS MAX @ CONTINUOUS TEMP OF
-20°C TO -30°C AND 70°C TO 80°C).
- 6 OPERATING LIFE: 100,000 CYCLES.
- 7 RIGHT AND LEFT VARIATION HAVE TO BE
IN 0.10[.004] AFTER TERMINAL BENDING.



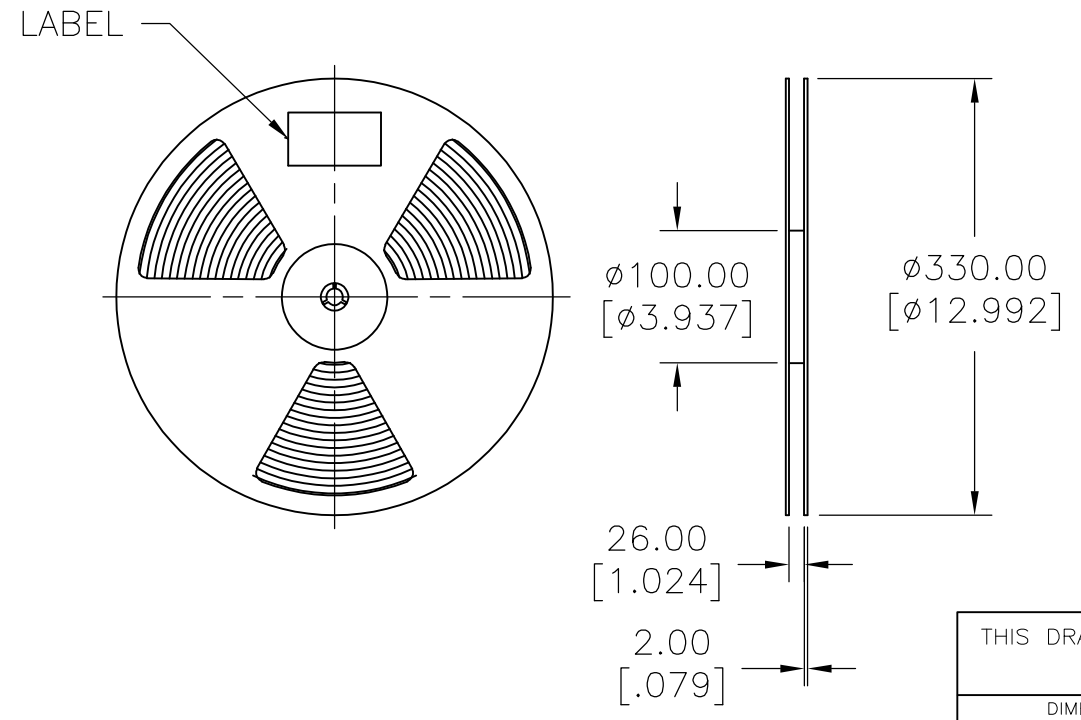
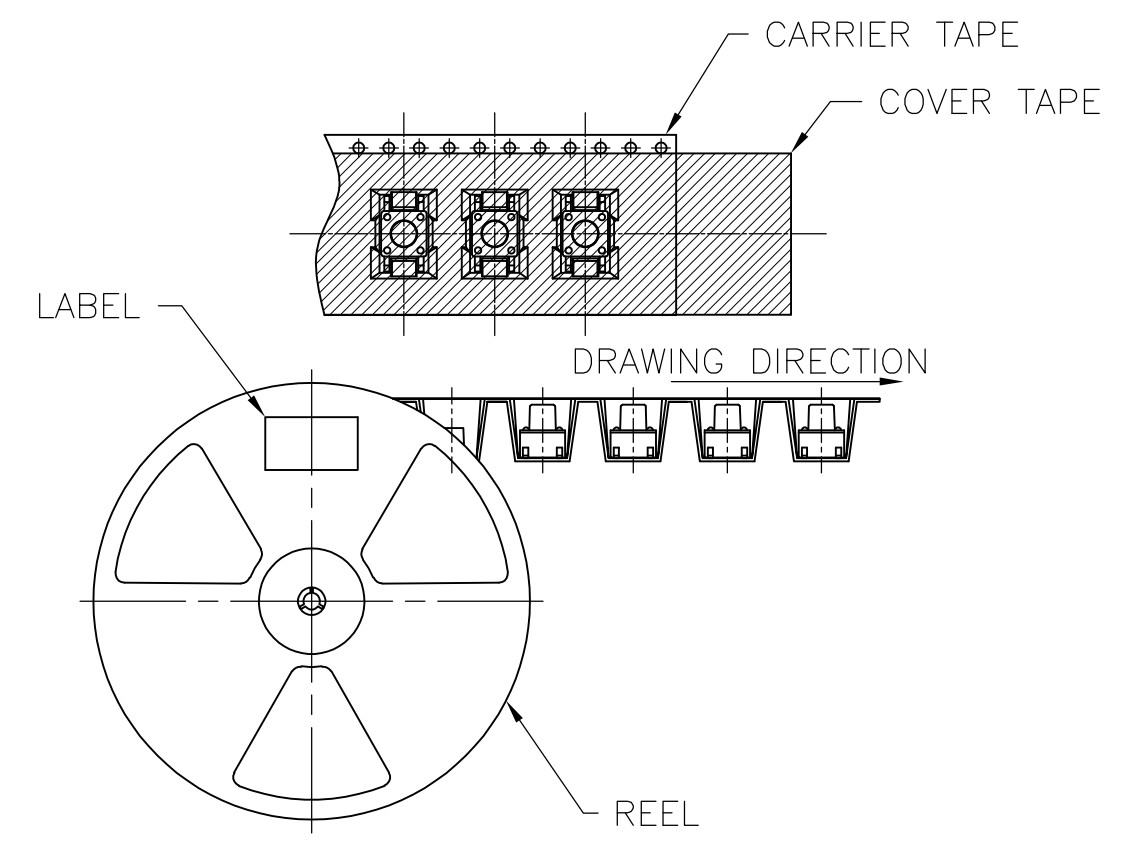
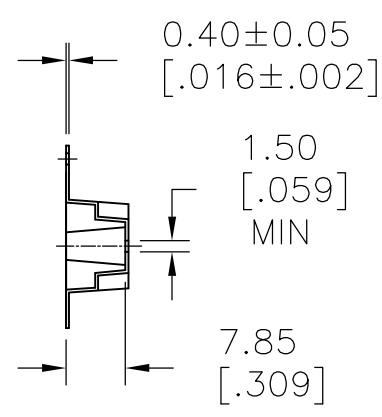
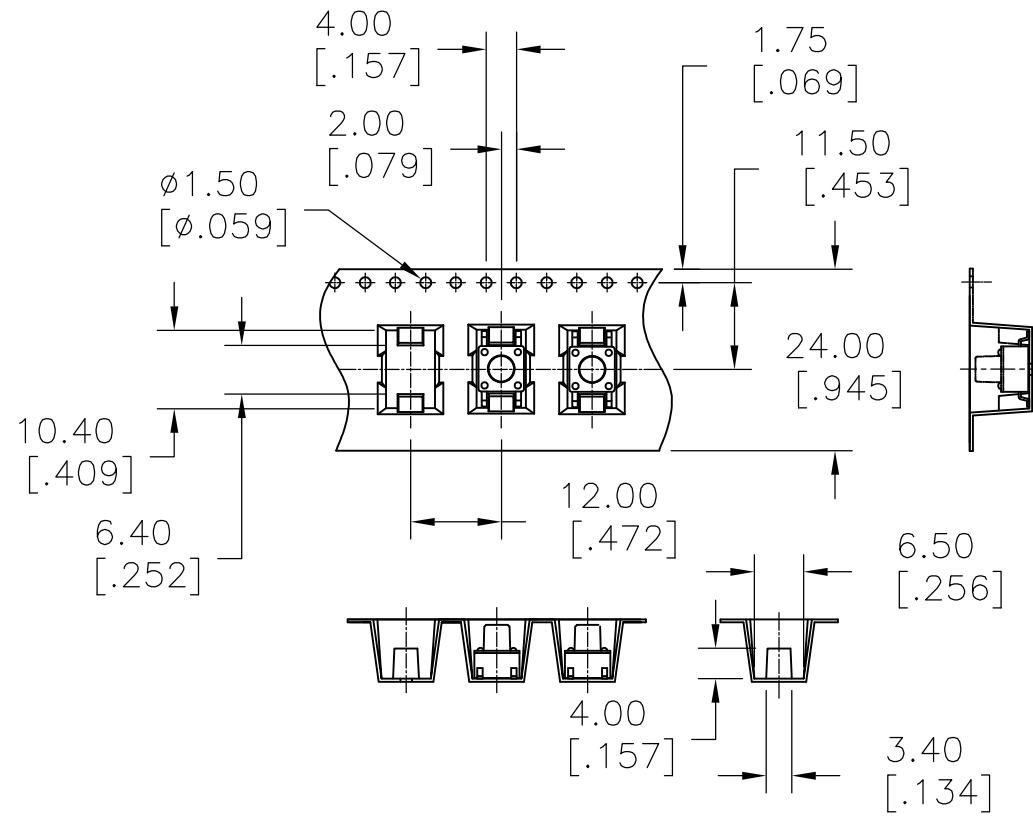
BOARD LAYOUT

OBSOLETE	BULK	160±50gf	BLACK	3.10[.122]	9.50[.375]	1977764-2
	TAPE & REEL	160±50gf	BLACK	3.10[.122]	9.50[.375]	1977764-1
	PACKAGE	O/FORCE	STEM COLOR	D(φ)	L	PART NO

THIS DRAWING IS A CONTROLLED DOCUMENT.		DWN RAGHAVENDRA 13DEC10	TE Connectivity			
DIMENSIONS: mm [INCHES]		CHK EPPLEY NAZ 13DEC10				
TOLERANCES UNLESS OTHERWISE SPECIFIED:		PRODUCT SPEC		TACT SWITCH, J-LEADS		
0 PLC ± - 1 PLC ± - 2 PLC ± 0.3[.012] 3 PLC ± - 4 PLC ± - ANGLES ± -		APPLICATION SPEC		RESTRICTED TO		
MATERIAL		WEIGHT 0		SIZE A3	CAGE CODE 00779	DRAWING NO C-1977764
FINISH		CUSTOMER DRAWING		SCALE 4:1	SHEET 1 OF 2	REV B

THIS DRAWING IS UNPUBLISHED. RELEASED FOR PUBLICATION
 © COPYRIGHT - By - ALL RIGHTS RESERVED.

REVISIONS					
P	LTR	DESCRIPTION	DATE	DWN	APVD
-	-	SEE SHEET 1	-	-	-



THIS DRAWING IS A CONTROLLED DOCUMENT.

DIMENSIONS:	TOLERANCES UNLESS OTHERWISE SPECIFIED:
mm [INCHES]	
	0 PLC ± -
	1 PLC ± -
	2 PLC ± -
	3 PLC ± 0.3[.012]
	4 PLC ± -
	ANGLES ± -

MATERIAL	FINISH
-	-

DWN	RAGHAVENDRA	13DEC10
CHK	EPPLEY NAZ	13DEC10
APVD	EPPLEY NAZ	13DEC10
PRODUCT SPEC	-	-
APPLICATION SPEC	-	-
WEIGHT	-	-



NAME				TACT SWITCH, J-LEADS	
SIZE	CAGE CODE	DRAWING NO	RESTRICTED TO		
A3	00779	C-1977764	-		

CUSTOMER DRAWING SCALE 4:1 SHEET 2 OF 2 REV B

单击下面可查看定价，库存，交付和生命周期等信息

[>>TE Connectivity\(泰科\)](#)