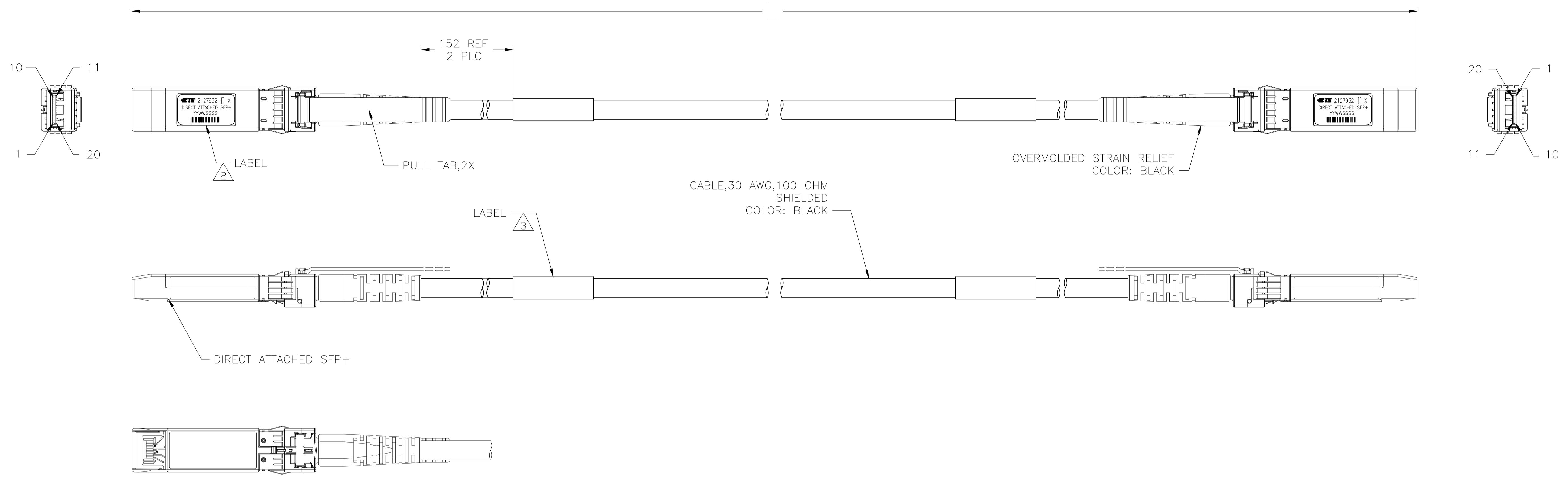
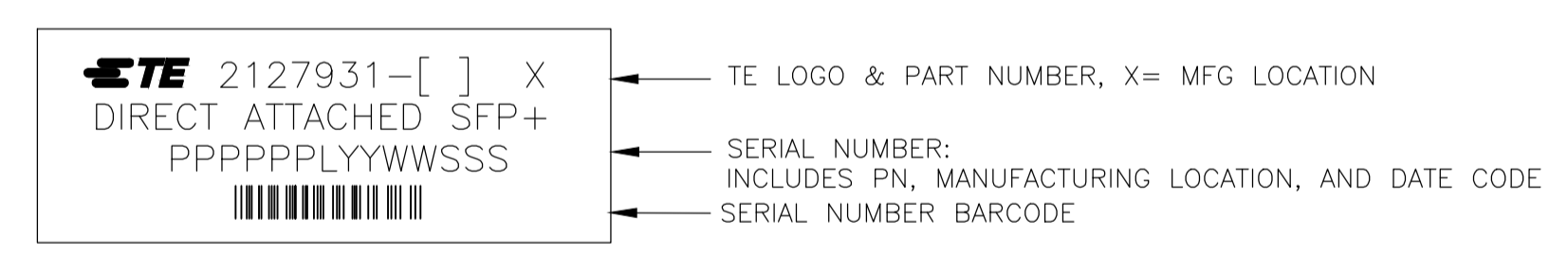


REVISIONS					
P	LTR	DESCRIPTION	DATE	DMN	APVD
H		REV PER ECO-20-005314	22APR2020	AK	GF

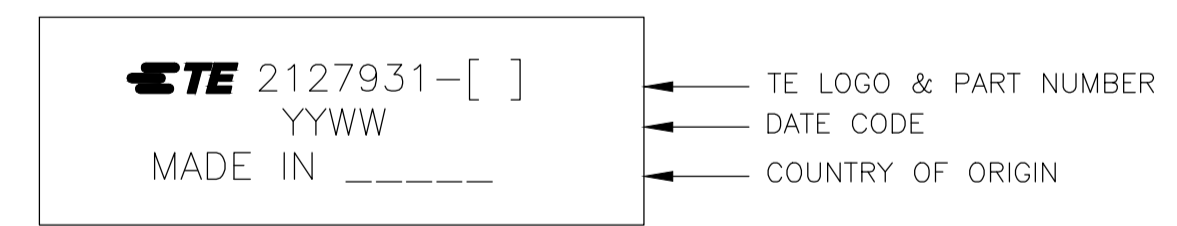


1. CHARACTERISTIC IMPEDANCE: 100±10 OHMS (MEASURED DIFFERENTIALLY).

△2 LABEL INFORMATION:



△3 LABEL INFORMATION:



4. SEE SHEET 2 FOR WIRING SCHEMATIC.

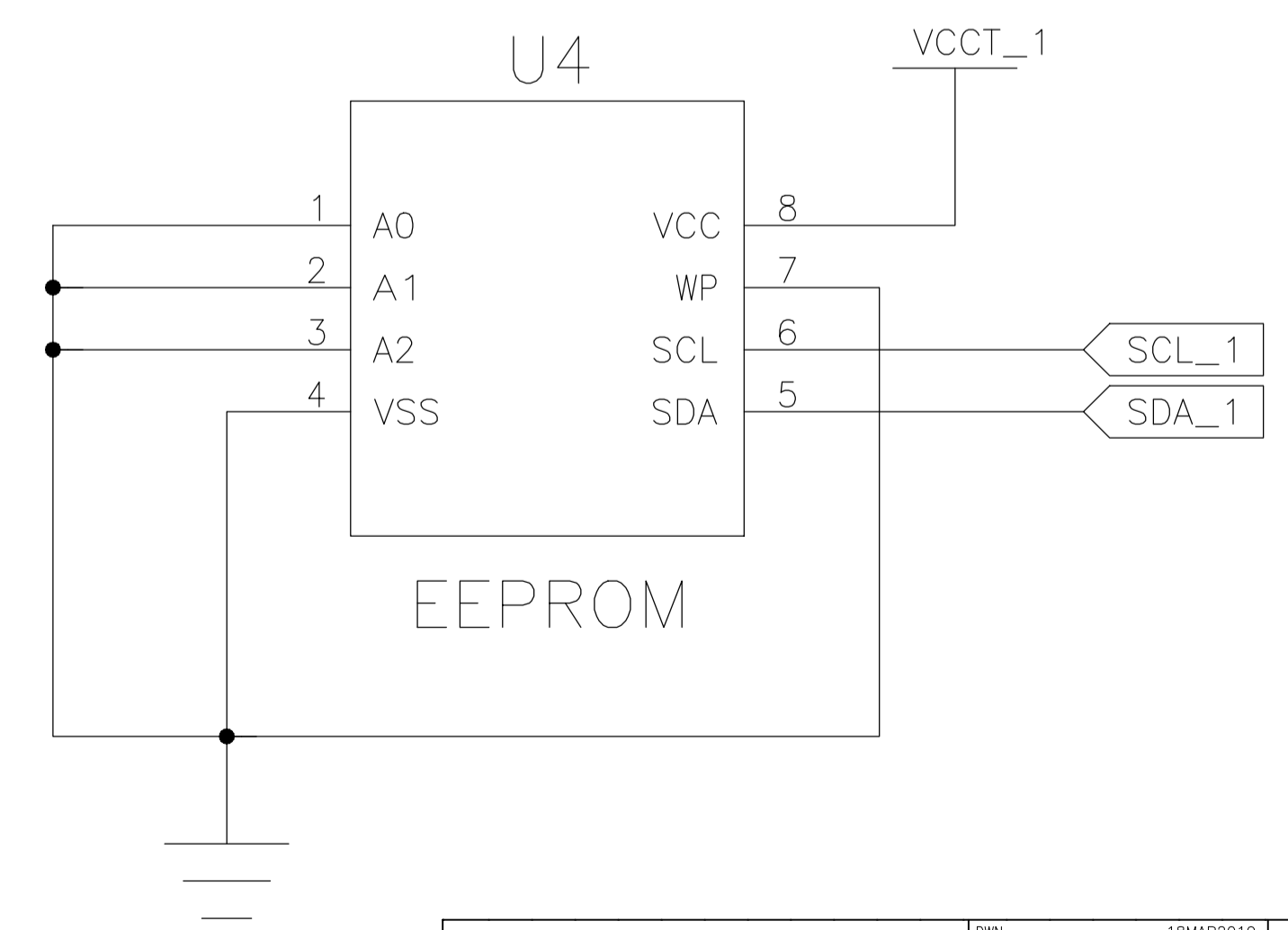
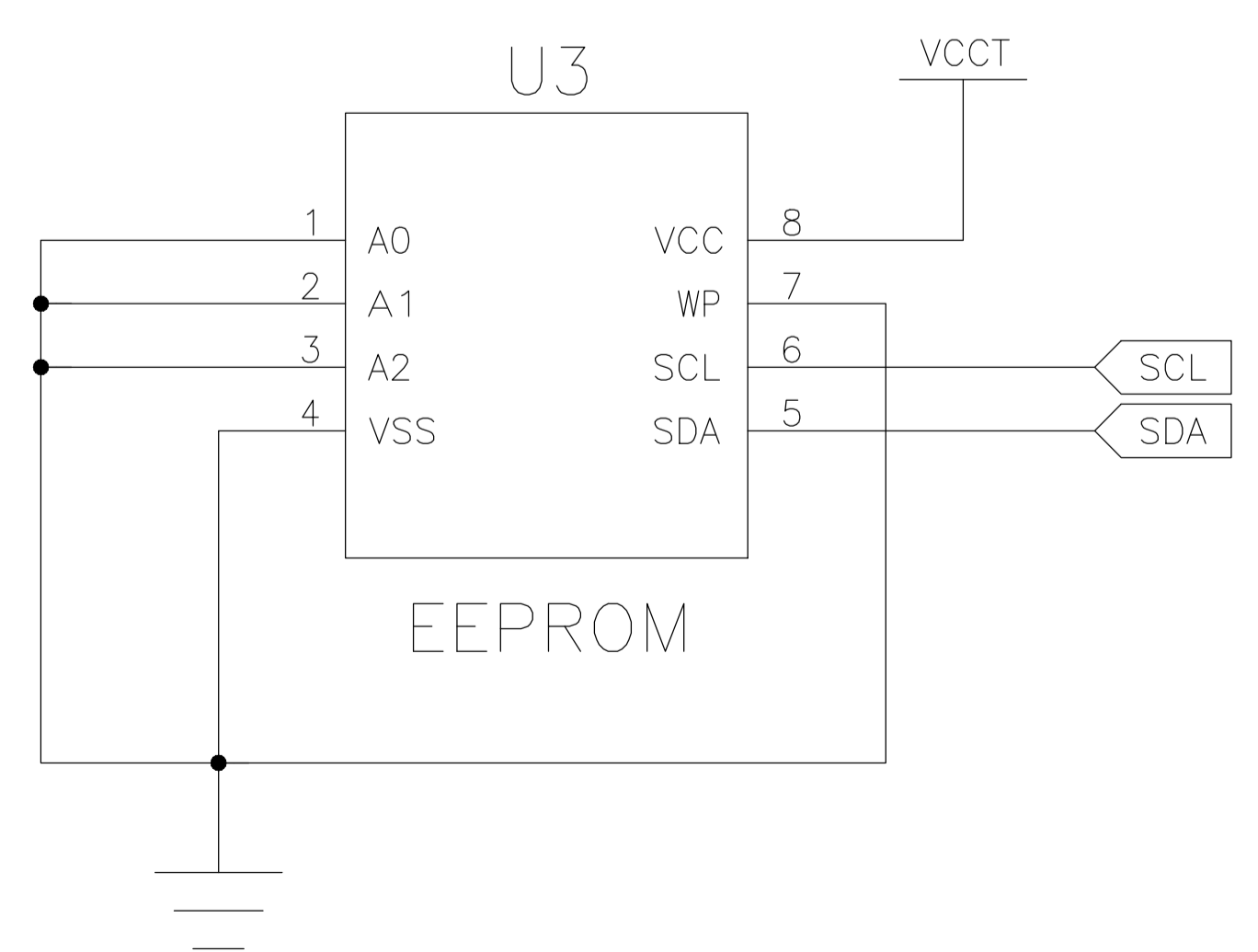
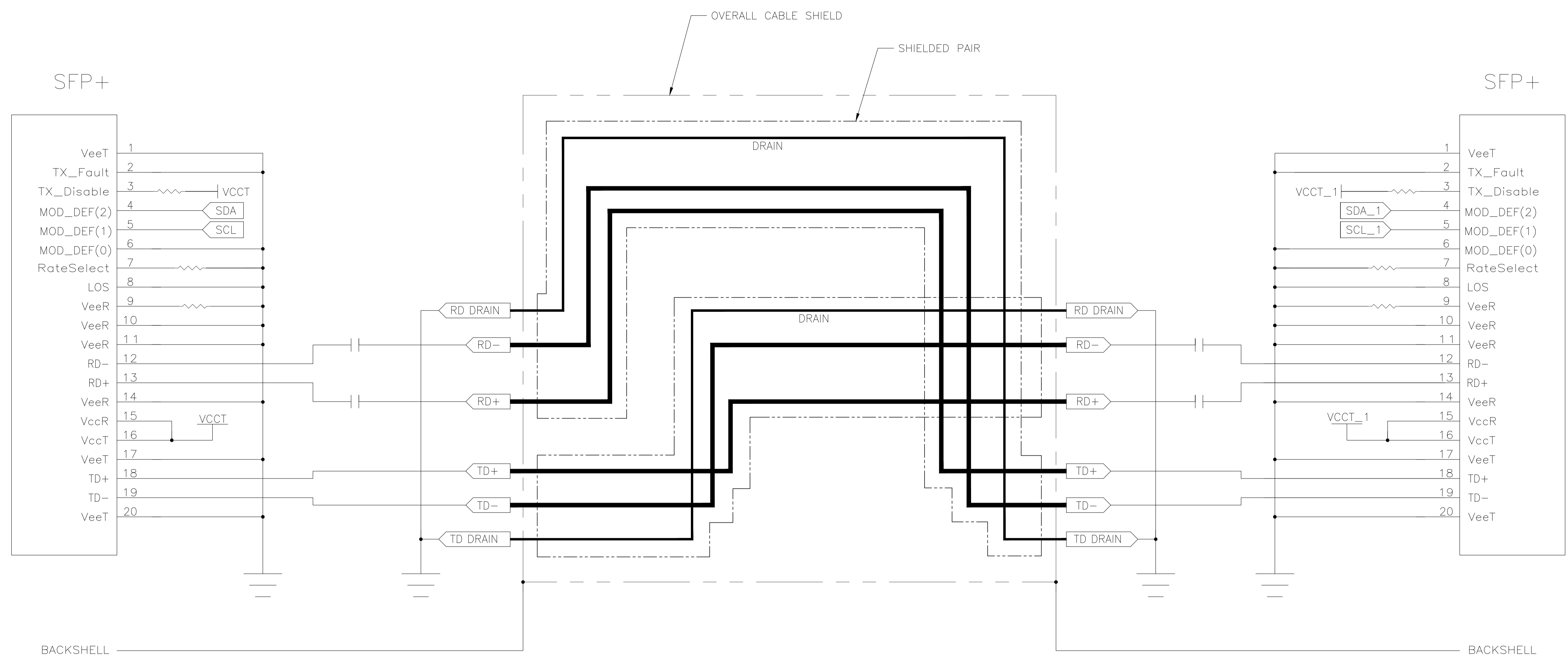
5. ROHS COMPLIANCE: PRODUCT AND PROCESSING MEETS REQUIREMENTS OF TE SPECIFICATION TEC-138-702.

2.5 ^{+0.08} ₋₀ METERS	1-2127931-5	SUPERSEDED BY 1-2127931-5
2.5 ^{+0.08} ₋₀ METERS	2127931-7	
1.5 ^{+0.05} ₋₀ METERS	2127931-6	
3 ^{+0.08} ₋₀ METERS	1-2127931-4	
1 ^{+0.05} ₋₀ METERS	1-2127931-2	
0.305 ^{+0.05} ₋₀ METERS	2127931-5	
3 ^{+0.08} ₋₀ METERS	2127931-4	
2 ^{+0.08} ₋₀ METERS	2127931-3	
1 ^{+0.05} ₋₀ METERS	2127931-2	
0.5 ^{+0.05} ₋₀ METERS	2127931-1	
L	PART NO	

THIS DRAWING IS A CONTROLLED DOCUMENT.

DIMENSIONS:	TOLERANCES UNLESS OTHERWISE SPECIFIED:	DIN	T. SMITH	18MAR2010	TE Connectivity
mm	0 PLC ± - 1 PLC ± - 2 PLC ± - 3 PLC ± - 4 PLC ± - ANGLES ± -	CHK	C. ADAMS	18MAR2010	
MATERIAL	FINISH	APVD	C. ADAMS	18MAR2010	NAME
		PRODUCT SPEC			CABLE ASSY, 30 AWG, SFP+ TO SFP+ NI_PLATED
		APPLICATION SPEC			
		WEIGHT	0		SIZE
					A1
					CAGE CODE
					00779
					DRAWING NO
					C=2127931
					RESTRICTED TO
					CUSTOMER DRAWING
					SCALE 1:1 SHEET 1 OF 2 REV H

REVISIONS					
P	LTR	DESCRIPTION	DATE	DWN	APVD
-	-	SEE SHEET 1	-	-	-



THIS DRAWING IS A CONTROLLED DOCUMENT.		DWN T. SMITH 18MAR2010		
DIMENSIONS: mm		CHK C. ADAMS 18MAR2010		
TOLERANCES UNLESS OTHERWISE SPECIFIED:		APRD C. ADAMS 18MAR2010	NAME CABLE ASSY, 30 AWG, SFP+ TO SFP+ NI_PLATED	
0. PLC ± -	1. PLC ± -	PRODUCT SPEC	SIZE A1	
2. PLC ± -	3. PLC ± -	APPLICATION SPEC	CAGE CODE 00779	
4. PLC ± -	ANGLES ± -	FINISH	DRAWING NO. 2127931	
MATERIAL		WEIGHT	RESTRICTED TO	
CUSTOMER DRAWING		SCALE 1:1	SHEET 2 OF 2	

单击下面可查看定价，库存，交付和生命周期等信息

[>>TE Connectivity\(泰科\)](#)