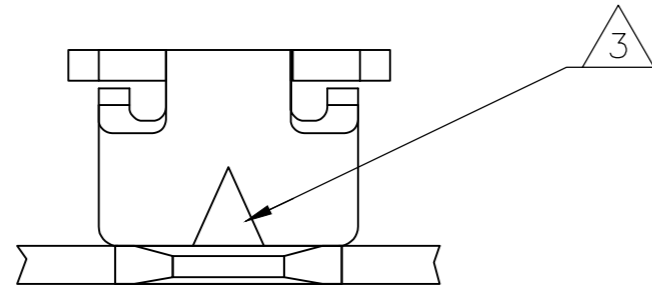
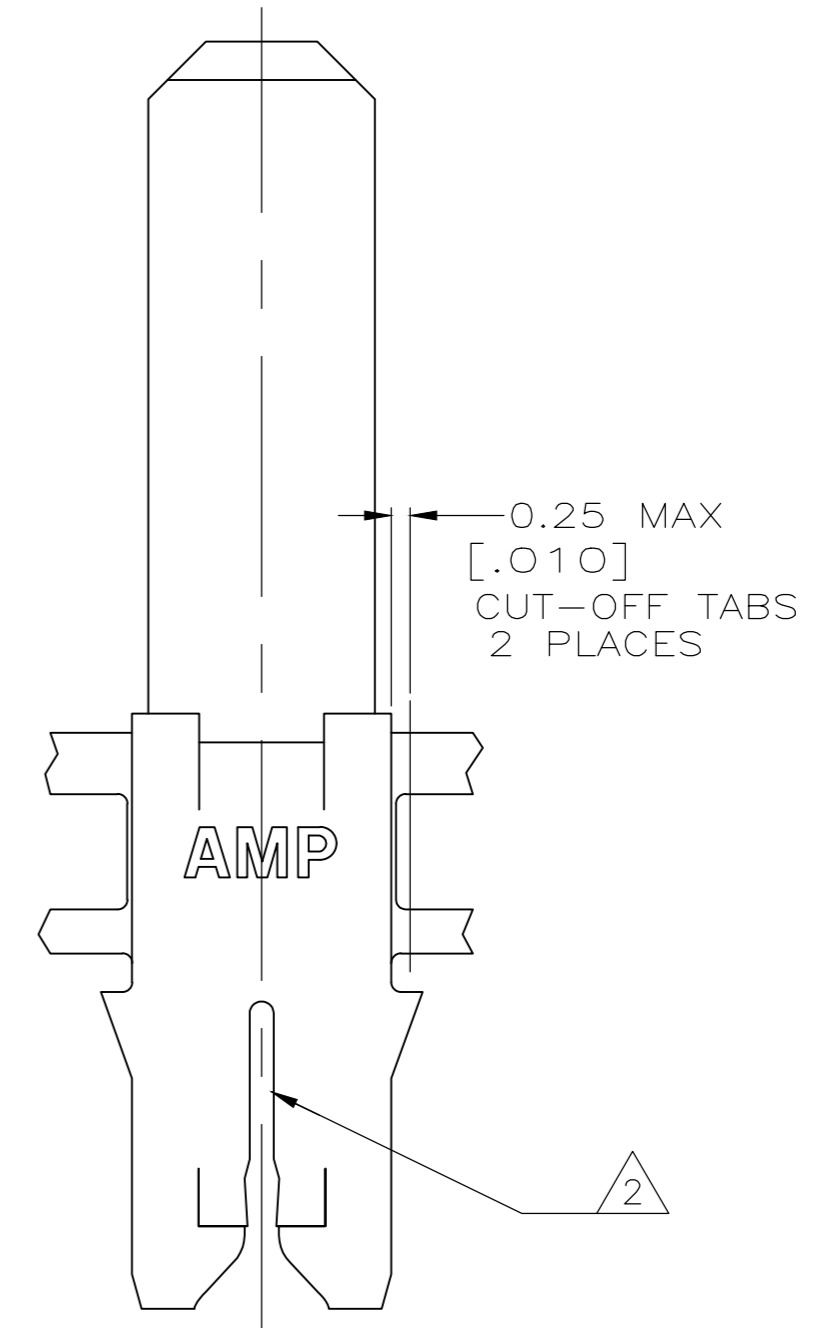
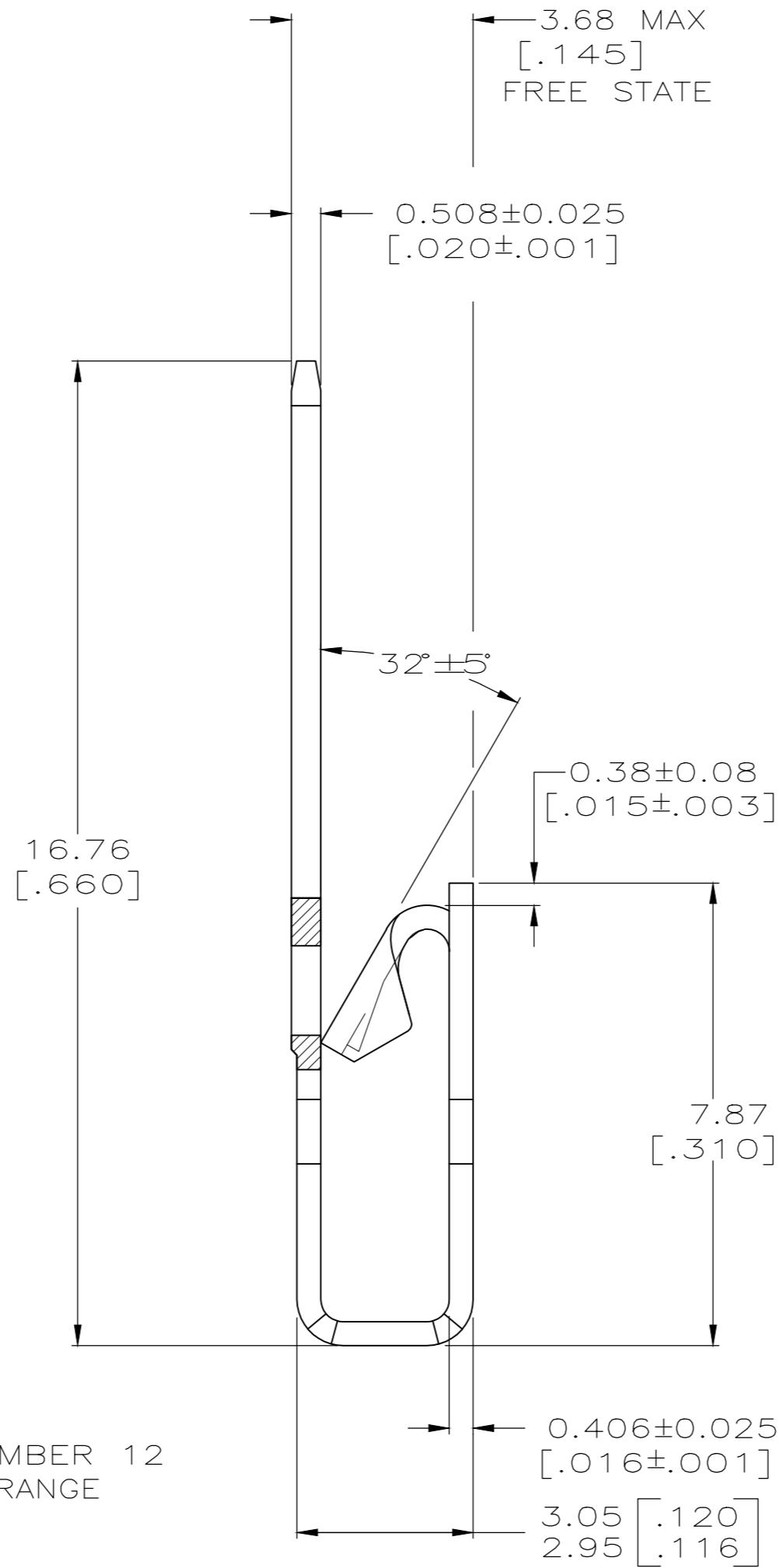
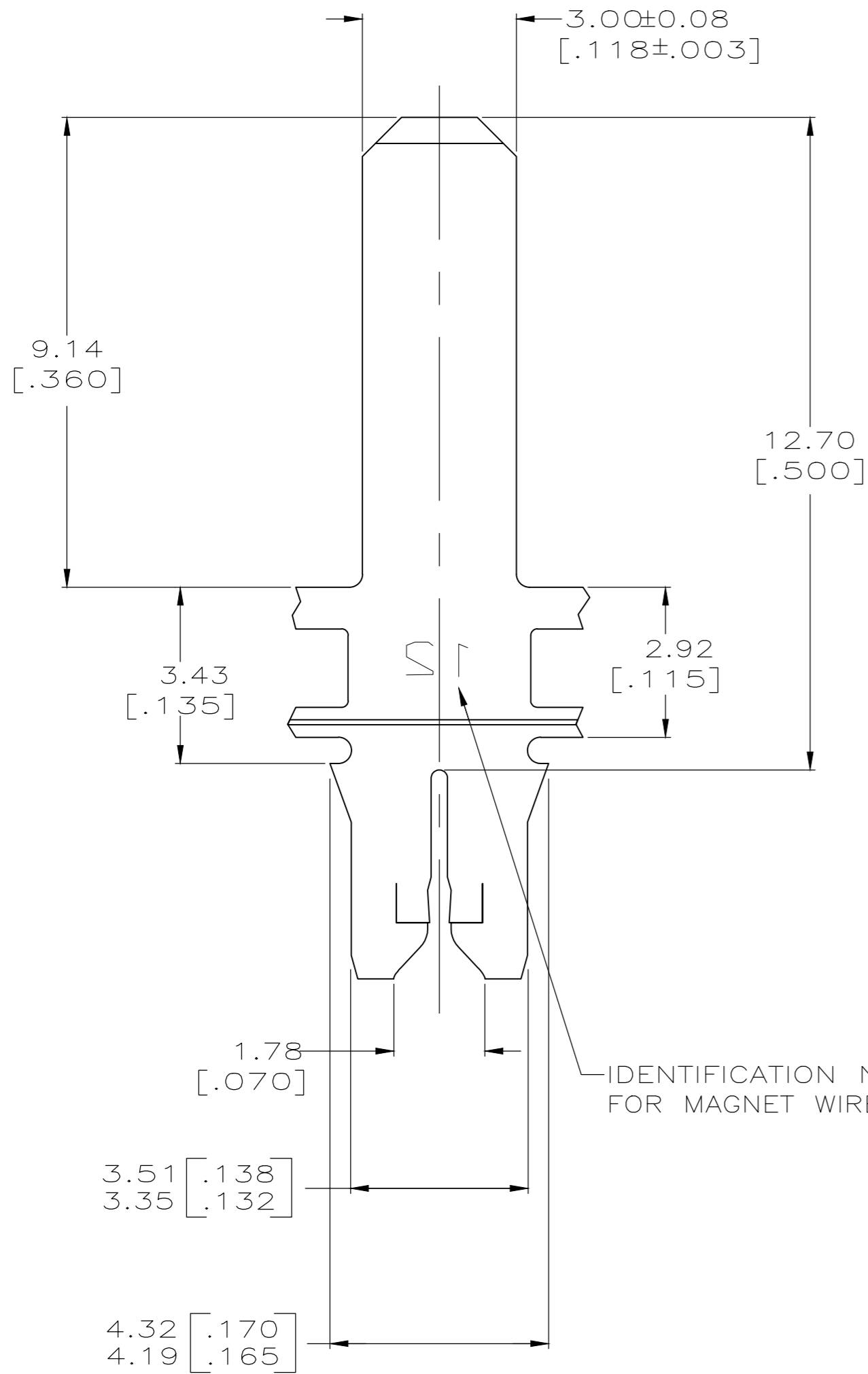


THIS DRAWING IS UNPUBLISHED. RELEASED FOR PUBLICATION
 © COPYRIGHT BY TYCO ELECTRONICS CORPORATION. ALL RIGHTS RESERVED.

LOC		DIST		REVISIONS			
P	LTR	DESCRIPTION	DATE	DWN	APVD		
AF	50	C3	REVISED PER ECR-18-006427	11MAY2018	BW	SV	



- 1 CONTINUOUS STRIP ON REELS WITH TERMINALS LOCATED ON 5.59±0.08 [.220±.003] CENTERS.
- 2 SLOT ACCEPTS 0.45-0.64mm [#25-#22] AWG COPPER MAGNET WIRE. 2 WIRES OF THE SAME SIZE PER SLOT EXCEPT 0.64mm [#22] AWG WHICH IS ONE WIRE ONLY. SLOT ACCEPTS 0.57-0.72mm[#23-#21] AWG ALUMINIUM SINGLE MAGNET WIRE ONLY. ALUMINIUM WIRE RANGE IS APPLICABLE FOR POST TIN PLATED PART NOS ONLY.
- 3 POKE-IN ACCEPTS A 0.5-0.8mm² [#20-#18] AWG SOLID OR FUSED STRANDED LEAD WIRE.



REVERSE	1217210-2
STANDARD	1217210-1
REELING	PART NUMBER

THIS DRAWING IS A CONTROLLED DOCUMENT.		DWN 14SEP1999 MICHAEL S. FEHER	TE CONNECTIVITY TAB, POKE-IN/3.00[.118] SERIES, COMBINATION, 300 SERIES MAG-MATE		
DIMENSIONS: mm		CHK 22SEP1999 KURT A. RANDOLPH			NAME
TOLERANCES UNLESS OTHERWISE SPECIFIED:		APVD 22SEP1999 KURT A. RANDOLPH			PRODUCT SPEC
0 PLC ± - 1 PLC ± - 2 PLC ± 0.25[.010] 3 PLC ± - 4 PLC ± - ANGLES ± -		APPLICATION SPEC			SIZE
MATERIAL 4M PRE-MILLED		FINISH 0.002032[.000080]	WEIGHT	CAGE CODE 00779	
			CUSTOMER DRAWING	DRAWING NO 114-2046	
				RESTRICTED TO	
			SCALE 10:1	SHEET 1 OF 1	
				REV C3	

单击下面可查看定价，库存，交付和生命周期等信息

[>>TE Connectivity\(泰科\)](#)