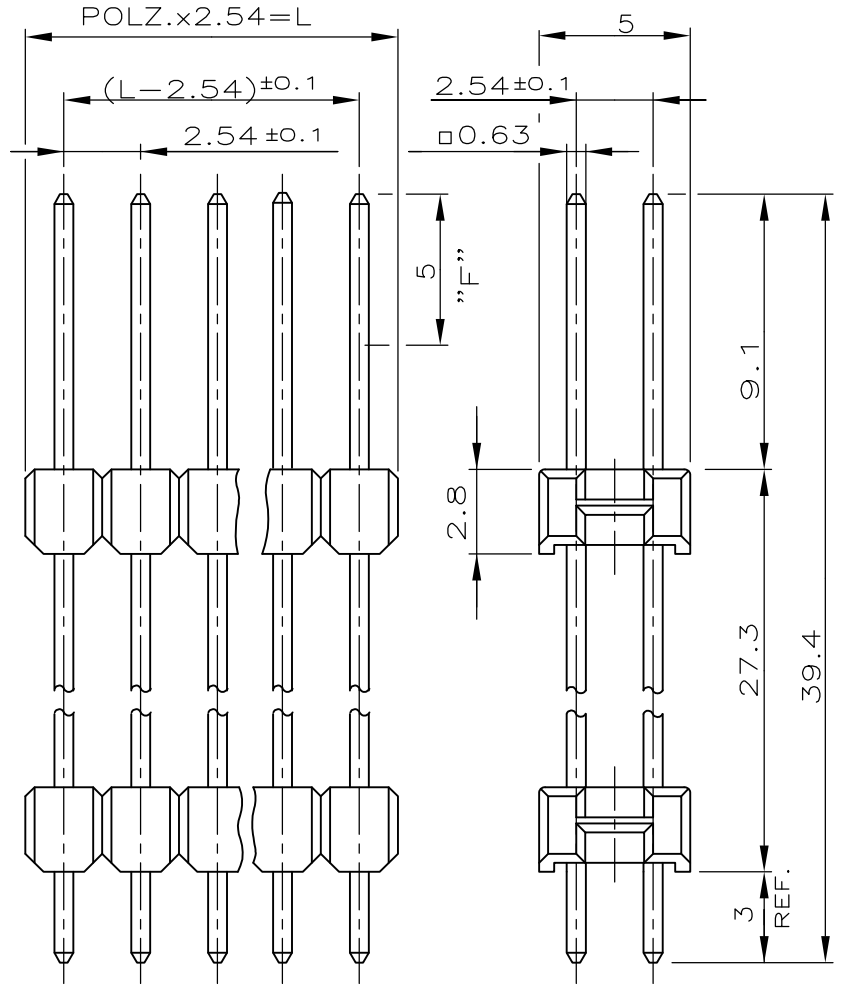


LOC	DIST
—	—

REVISIONS

NUMMER	P	LTR	DESCRIPTION	DATE	DWN	APVD
829822		01	S.P.C. MAB ENTFÄLLT	07.12.94	—	A.HO
VERWENDET FÜR E91-52529		02	REVISED PER ECO-09-023929	15OCT09	—	AEG
WAR NR. E91-52529		03	ECR-10-026307	13JAN11	KK	HMR

POLZ-PRO-REIHE	L±0.4	BESTELL-NR.
—	—	—
2	5.08	-2
3	7.62	3
4	10.16	-4
5	12.70	-5
6	15.24	-6
7	17.78	829 822 -7
8	20.32	-8
9	22.86	9
10	25.40	1-
11	27.94	1
12	30.48	-2
13	33.02	1
14	35.56	1
15	38.10	1
16	40.64	1-
17	43.18	1
18	45.72	1
19	48.26	1
20	50.80	2-
21	53.34	1
22	55.88	2
23	58.42	3
24	60.96	4
25	63.50	5
26	66.04	6
27	68.58	7
28	71.12	8
29	73.66	9
30	76.20	0
31	78.74	1
32	81.28	2
33	83.82	3
34	86.36	4
35	88.90	5
36	91.44	6
37	93.98	7
38	96.52	8
39	99.06	9
40	101.60	0
41	104.14	1
42	106.68	2
43	109.22	3
44	111.76	4
45	114.30	5
46	116.84	6
47	119.38	7
48	121.92	8
49	124.46	9
50	127.00	5- 829 822 -0



- ① STECKSEITE: IM BEREICH "F" 0.8 μm GOLD ÜBER 1.27 μm NICKEL
LÖTSEITE: MIN. 2.5 μm ZINN ÜBER 1.27 μm NICKEL
- ② OBSOLETE PARTS: OBSOLETE CIS STREAMLINING PER D.RENAUD/D.SINISI
- ③ OBSOLETE

KONTAKT	Cu Sn	①
STIFTGEHÄUSE	PBTP GV	GRÜN
BENENNUNG	WERKSTOFF	OBERFLÄCHE
		FARBE

ZEICHNUNG GÜLTIG AB KW 50/94.

DIMENSIONS: mm	DWN	A.HO	12.03.91	MATERIAL	—	FINISH	—	
	CHK	M.SCHAARSCHMIDT	13.03.91					
TOLERANCES UNLESS OTHERWISE SPECIFIED: ±0.2 mm	APVD	—	—					
0 PLC ± -	PRODUCT SPEC	—	NAME	SPEZ. AMPMODU II STIFTLISTE ZWEIREIHIG				
1 PLC ± -	APPLICATION SPEC	—	SIZE	A4	CAGE CODE	00779	DRAWING NO	829822
2 PLC ± -	WEIGHT	—	RESTRICTED TO		—			
3 PLC ± -		CUSTOMER DRAWING	SCALE	4:1	SHEET	1 OF 1	REV	03
4 PLC ± -								
ANGLES ± *								

RELEASED FOR PUBLICATION

ALL RIGHTS RESERVED.

COPYRIGHT - By -

THIS DRAWING IS UNPUBLISHED.

单击下面可查看定价，库存，交付和生命周期等信息

[>>TE Connectivity\(泰科\)](#)