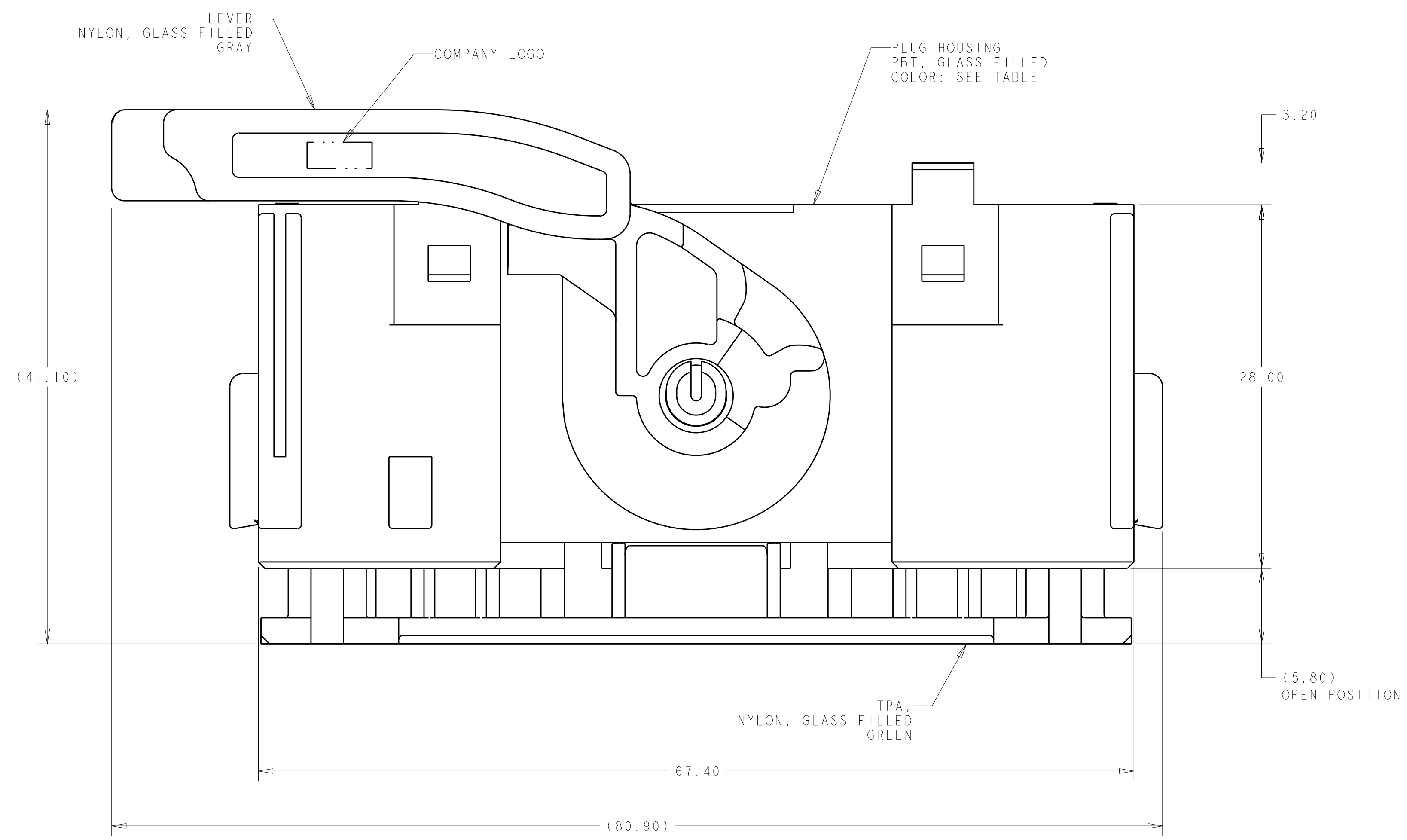
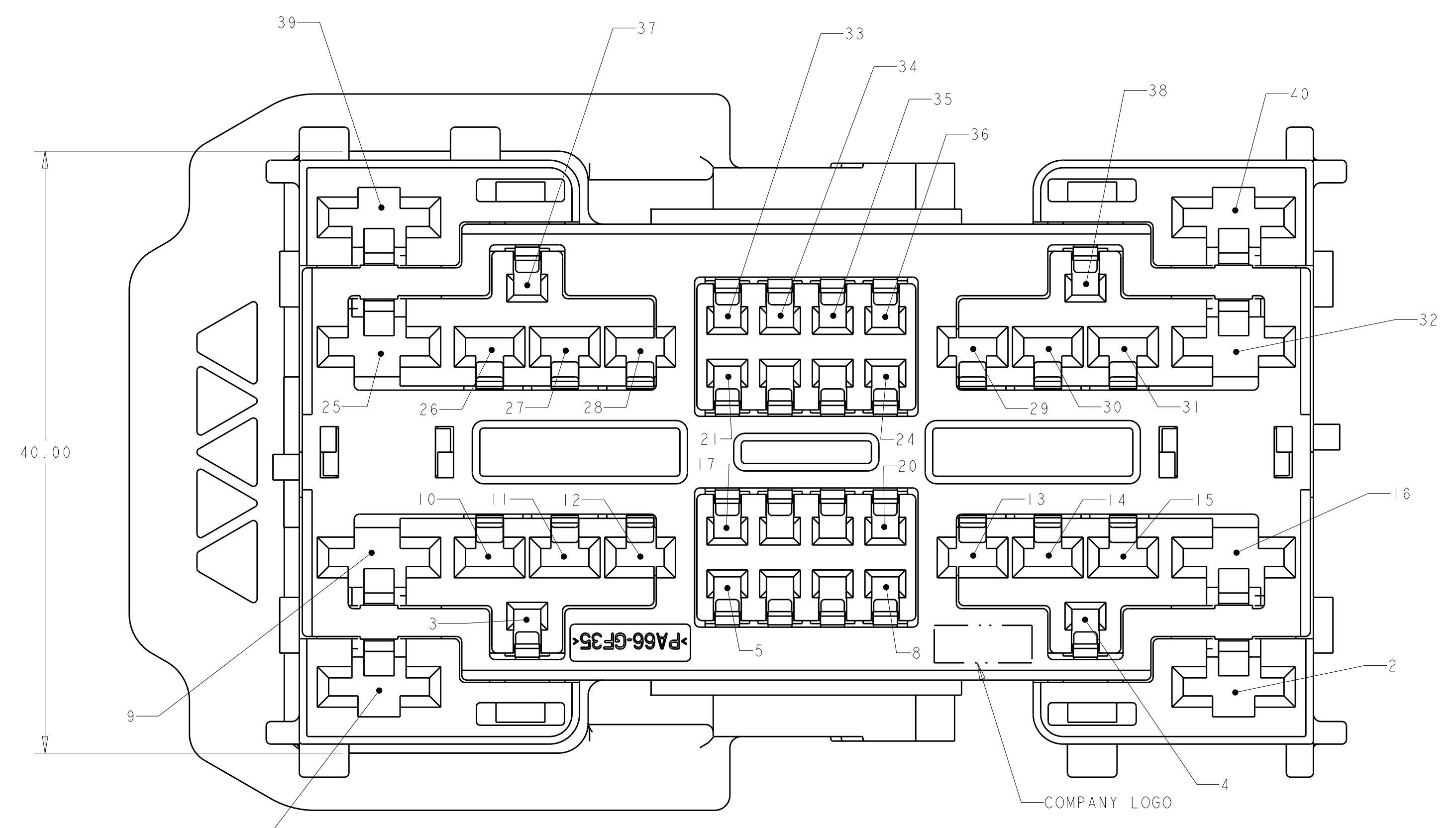


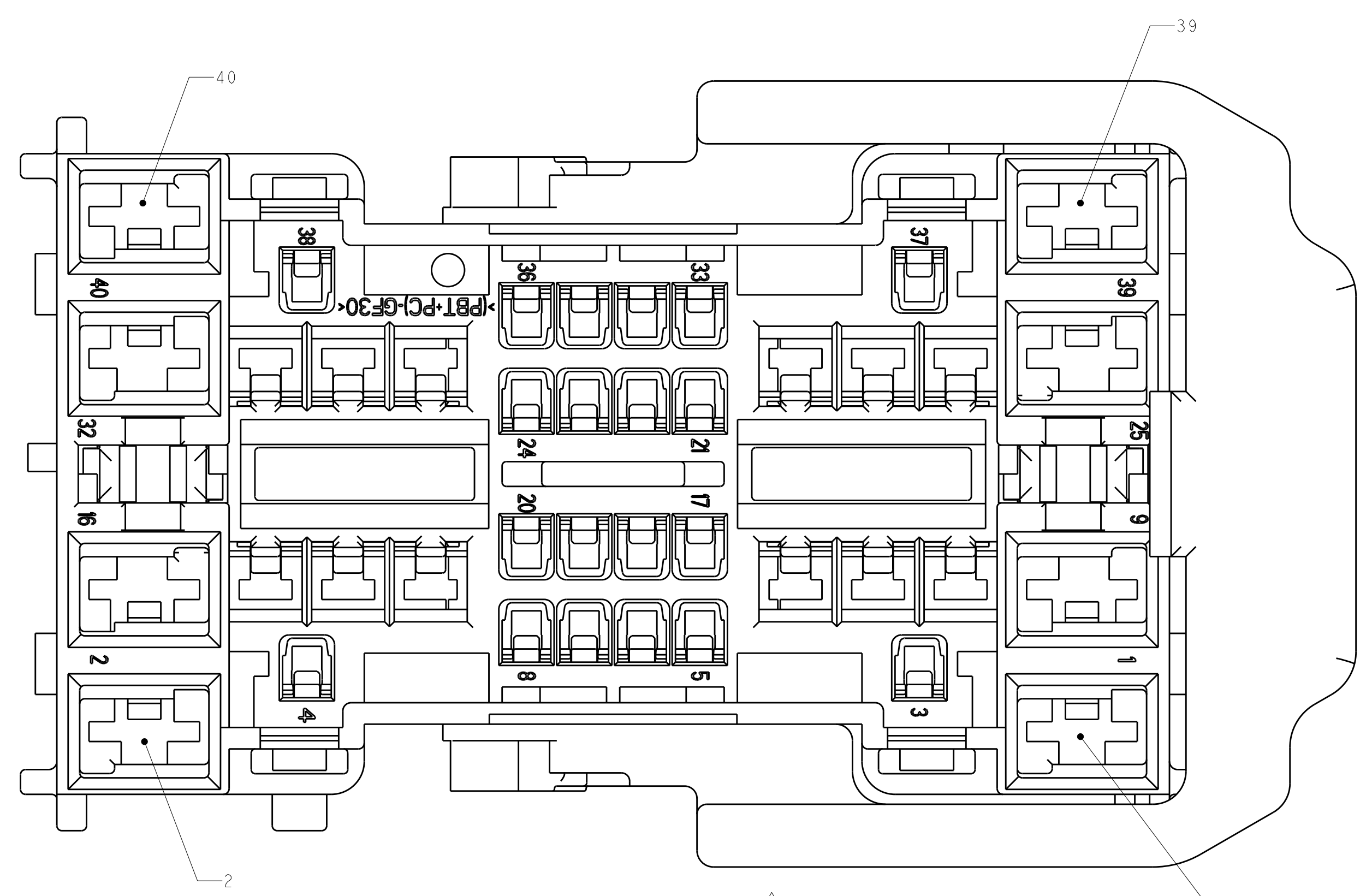
LOC	DIST	REV	DATE	BY	APPD
GE	00	C2	27DEC2010	DLD	SLM



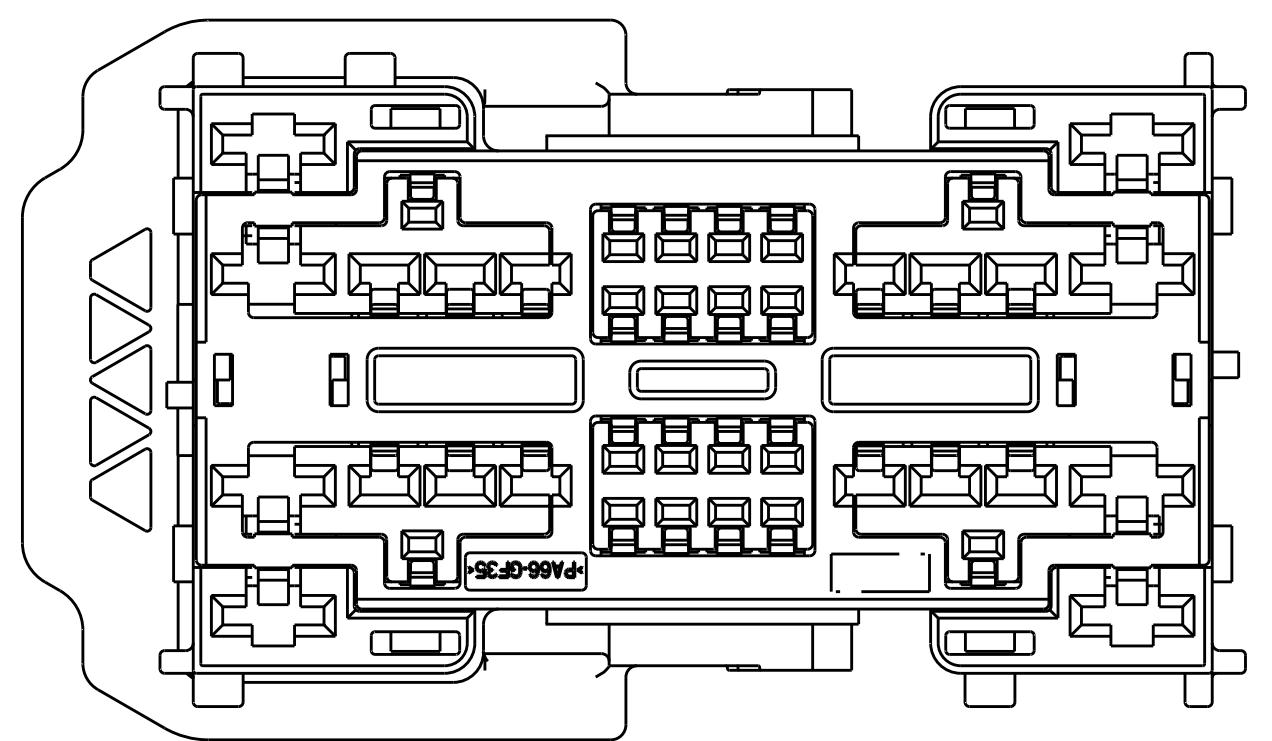
1. WIRE COVER, TYCO ELECTRONICS PART NUMBER 1488539 OR 1488540, MUST BE PURCHASED SEPERATELY.
 2. FOR ASSEMBLY INSTRUCTIONS, SEE TYCO ELECTRONICS INSTRUCTION SHEET 408-8768.
 3. FOR MATING AND UNMATING INSTRUCTIONS, SEE TYCO ELECTRONICS INSTRUCTION SHEET 408-8769.
 4. FOR INFORMATION ON THE MATING PART, SEE TYCO ELECTRONICS CUSTOMER DRAWING NUMBER 1488325.
- △ ADDITIONAL CIRCUIT NUMBER CALLOUTS ARE SHOWN ON DRAWING FOR CLARIFICATION ONLY AND DO NOT APPEAR ON ACTUAL CONNECTOR HOUSING.



MATING VIEW △
CIRCUIT CAVITY NUMBERS SHOWN
FOR 1488846-1 KEYING (BLACK)



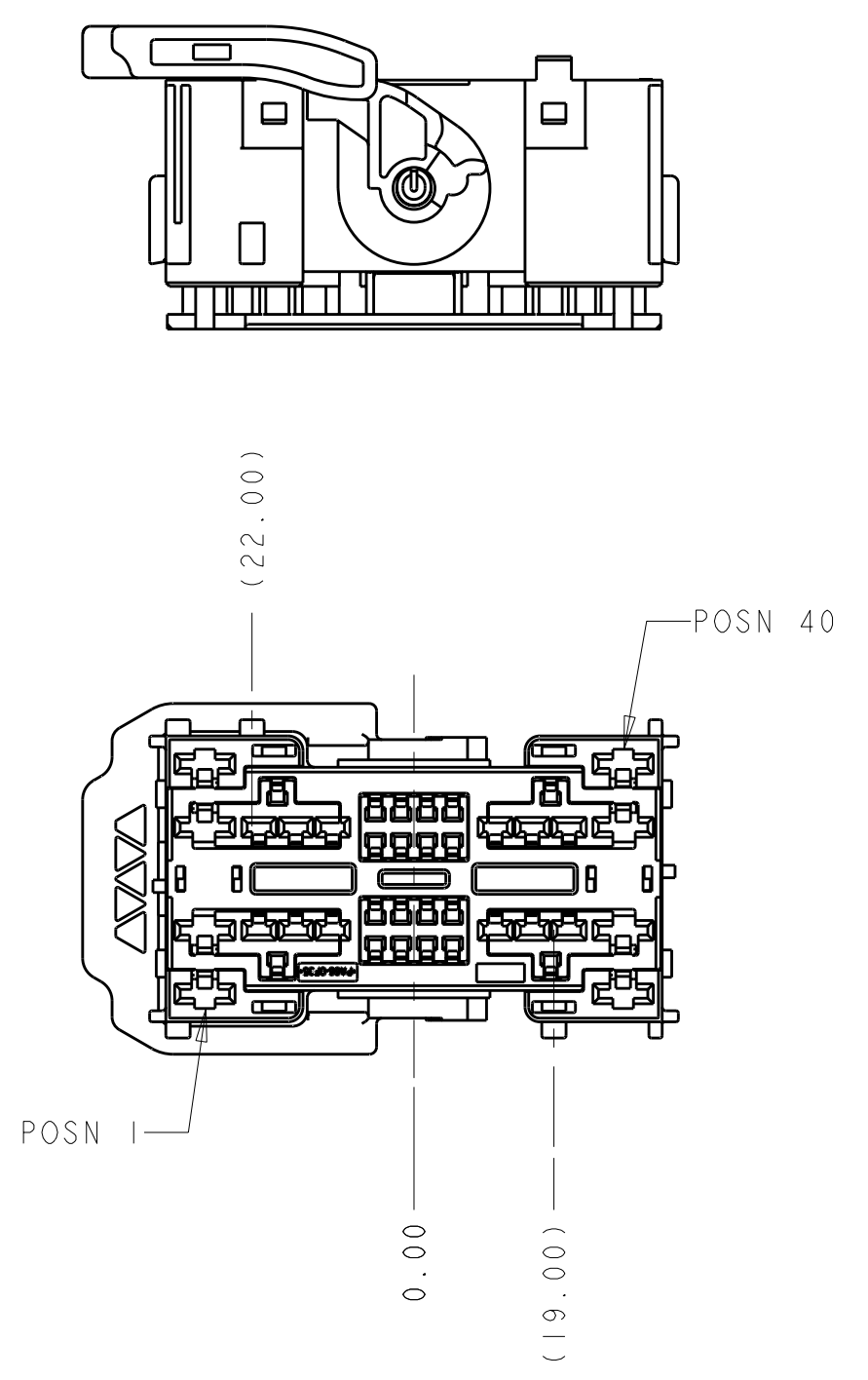
BACK HARNESS VIEW △



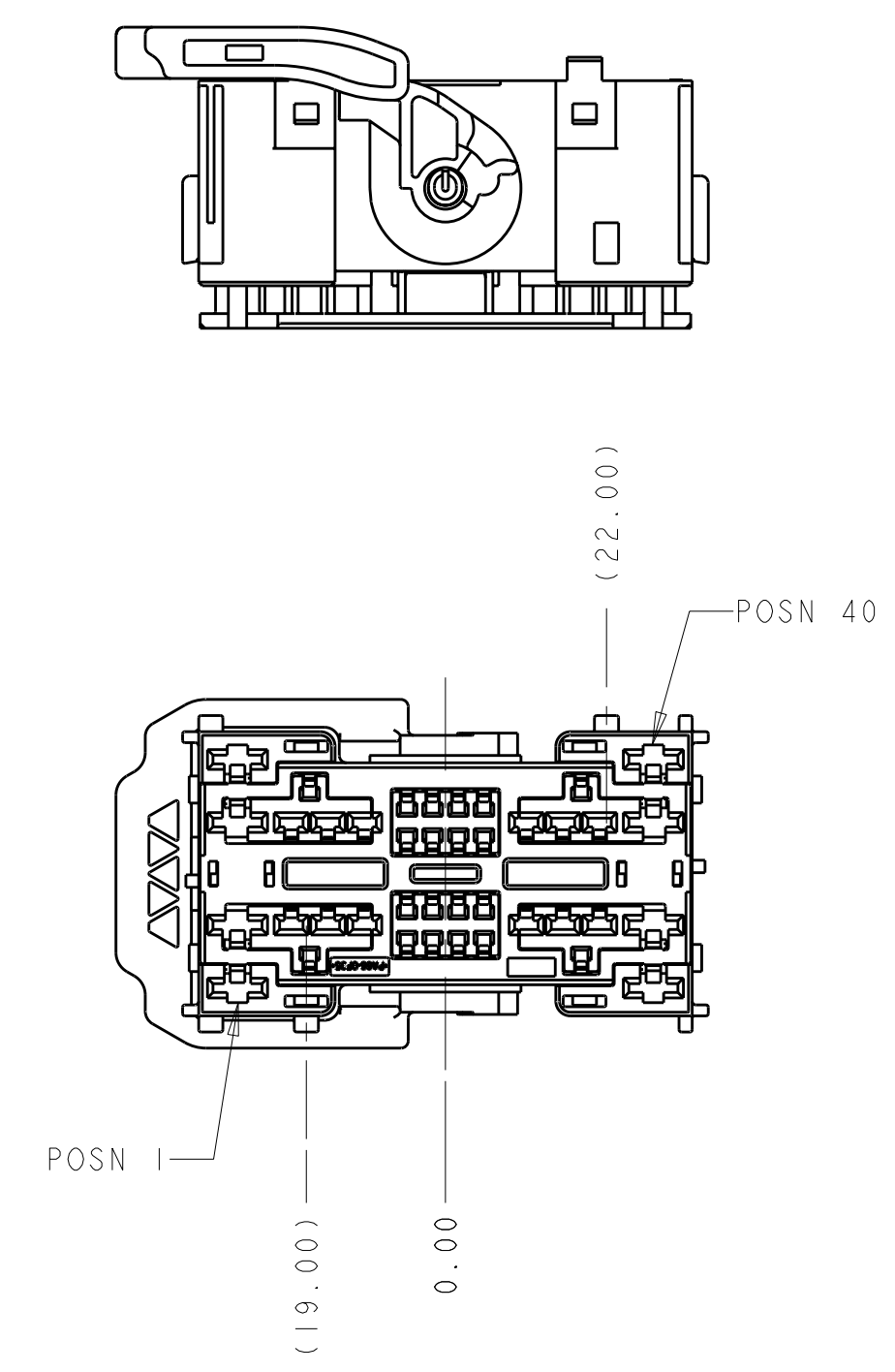
PLUG HOUSING COLOR	LEVER ORIENTATION	KEYING CODE	PLUG HOUSING COLOR REFERENCE	KEY CODE ARRANGEMENT REFERENCE	PART NUMBER
SEE VIEWS FOR 1488846-6			BROWN	C	1488846-6
SEE VIEWS FOR 1488846-5			BROWN	C	1488846-5
SEE VIEWS FOR 1488846-4			GRAY	B	1488846-4
SEE VIEWS FOR 1488846-3			BLACK	A	1488846-3
SEE VIEWS FOR 1488846-2			GRAY	B	1488846-2
SEE VIEWS FOR 1488846-1			BLACK	A	1488846-1

DIMENSIONS: mm 		TOLERANCES UNLESS OTHERWISE SPECIFIED: 9 PLC ± 1 PLC ±0.50 5 PLC ± 4 PLC ± ANGLES ± FINISH		DWN: D. AHERON TOSEP2003 CHK: GALEN MARTIN TOSEP2003 APPD: GALEN MARTIN TOSEP2003 PRODUCT SPEC: APPLICATION SPEC: WEIGHT: CUSTOMER DRAWING		Tyco Electronics Harrisburg, PA 17105-3608 NAME: PLUG ASSEMBLY, 40 POSITION, FOR 1.5, 2.8, 6.35 CONTACT SIZES, HYBRID SIZE: A1 CAGE CODE: 00779 DRAWING NO: C=1488846 SCALE: 4:1 SHEET: 1 OF 2 REV: C2	
-----------------------	--	--	--	--	--	--	--

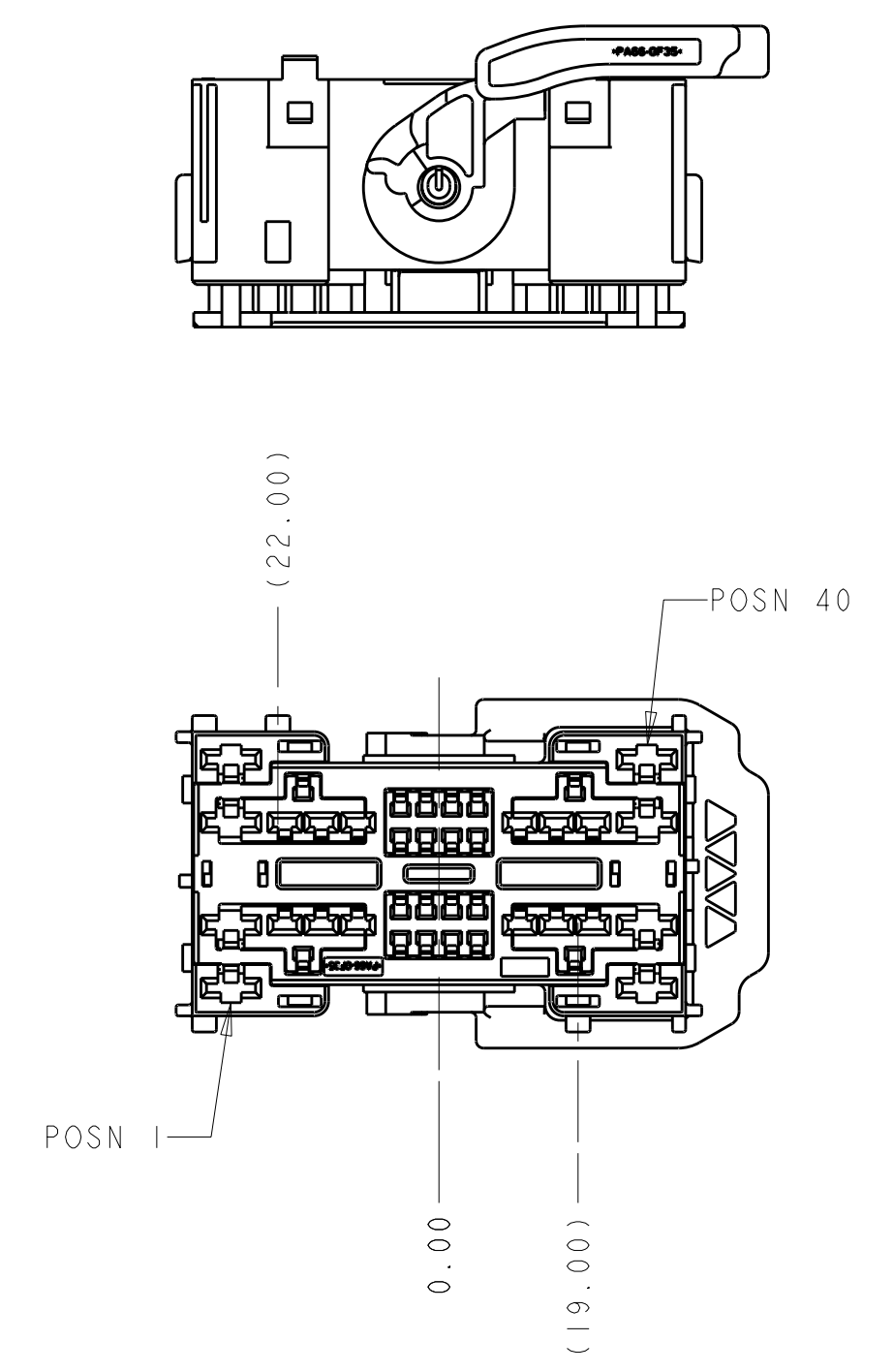
LOC	DIST	REVISIONS			
GE	00	REV	DATE	BY	APPD
		1			
		2			
		3			
		4			
		5			
		6			
		7			
		8			
		9			
		10			



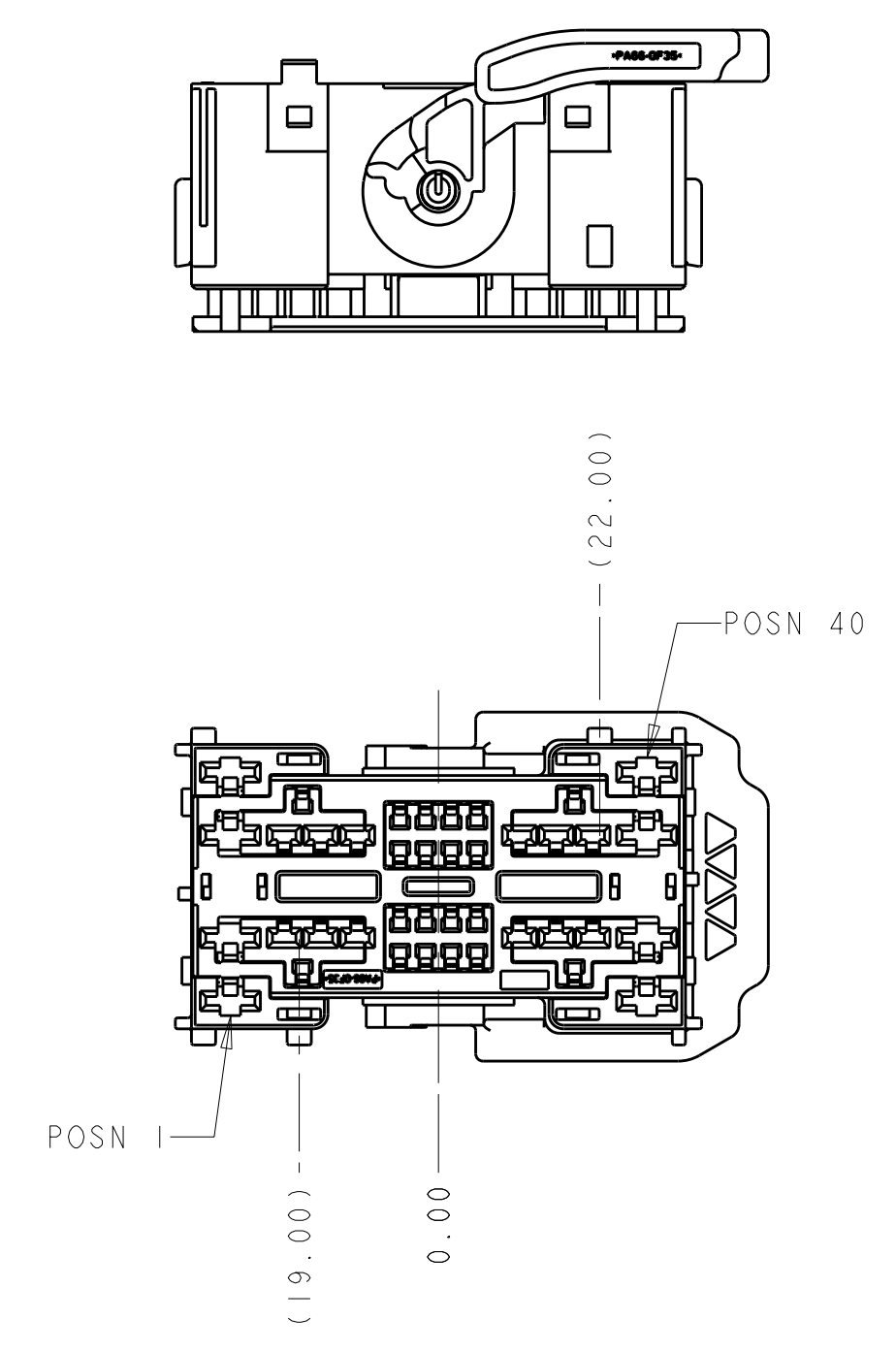
1488846-1
 KEYING CODE: A
 LEVER ORIENTATION: LEFT
 PLUG HOUSING COLOR: BLACK
 SCALE 1:1



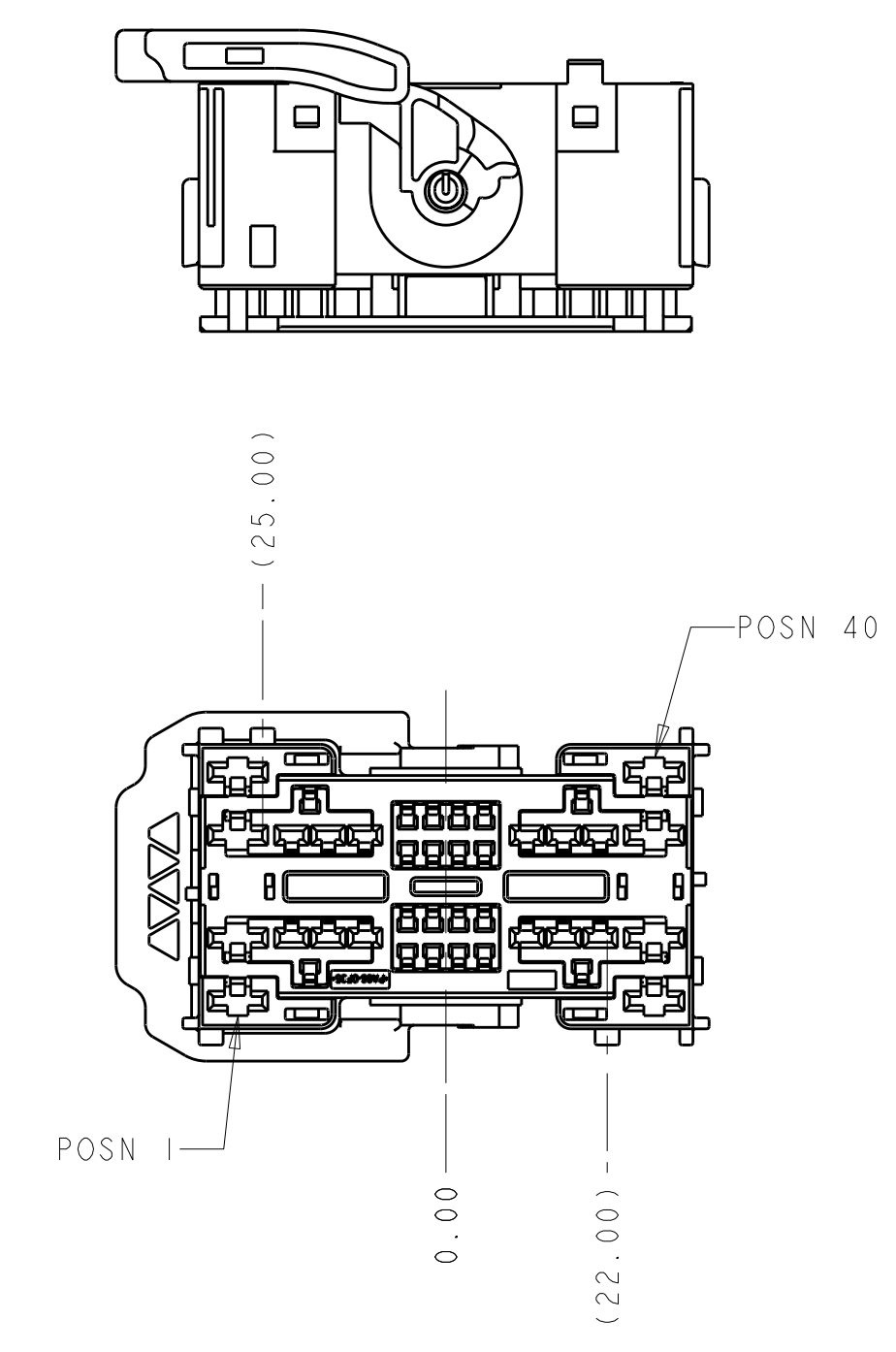
1488846-2
 KEYING CODE: B
 LEVER ORIENTATION: LEFT
 PLUG HOUSING COLOR: GRAY
 SCALE 1:1



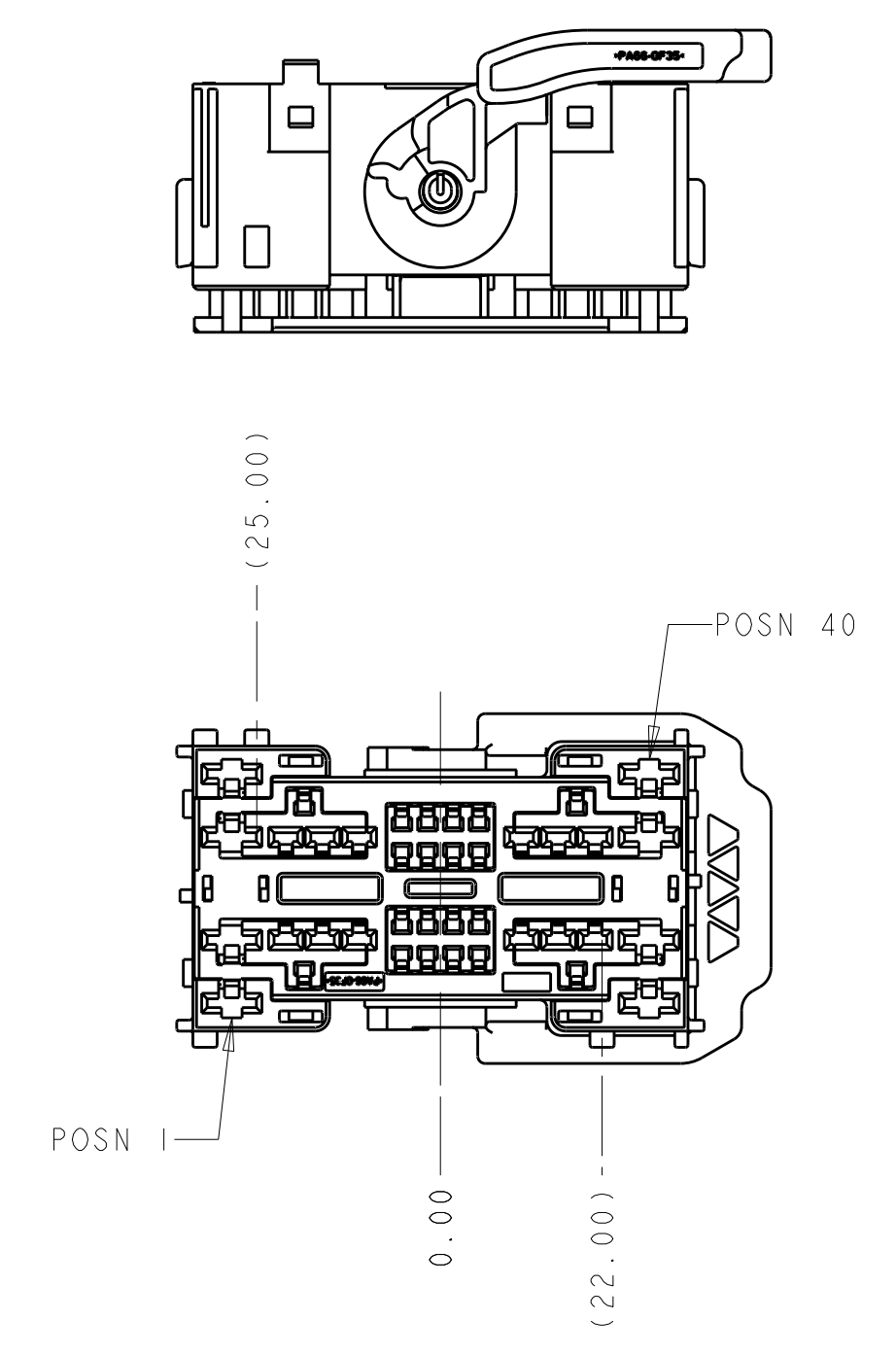
1488846-3
 KEYING CODE: A
 LEVER ORIENTATION: RIGHT
 PLUG HOUSING COLOR: BLACK
 SCALE 1:1



1488846-4
 KEYING CODE: B
 LEVER ORIENTATION: RIGHT
 PLUG HOUSING COLOR: GRAY
 SCALE 1:1



1488846-5
 KEYING CODE: C
 LEVER ORIENTATION: LEFT
 PLUG HOUSING COLOR: BROWN
 SCALE 1:1



1488846-6
 KEYING CODE: C
 LEVER ORIENTATION: RIGHT
 PLUG HOUSING COLOR: BROWN
 SCALE 1:1

VIEWS FOR LEVER ORIENTATION, KEYING CODE ARRANGEMENT, AND PLUG HOUSING COLOR

DIMENSIONS: mm 		TOLERANCES UNLESS OTHERWISE SPECIFIED: 0 PLC ± 1 PLC ±0.50 2 PLC ± 3 PLC ± 4 PLC ± ANGLES ± FINISH -		DWN D. AHERON TOSEP2003 CHK GALEN MARTIN TOSEP2003 APVD GALEN MARTIN TOSEP2003 PRODUCT SPEC - APPLICATION SPEC - WEIGHT - CUSTOMER DRAWING		Tyco Electronics Harrisburg, PA 17105-3608 NAME PLUG ASSEMBLY, 40 POSITION, FOR 1.5, 2.8, 6.35 CONTACT SIZES, HYBRID SIZE CAGE CODE DRAWING NO RESTRICTED TO A 00779 C-1488846 - SCALE 4:1 SHEET 2 OF 2 REV C2	
-----------------------	--	---	--	--	--	---	--

单击下面可查看定价，库存，交付和生命周期等信息

[>>TE Connectivity\(泰科\)](#)