

REVISIONS					DATE	APPD	
LOC	DIST	P	ZONE	LTR	DESCRIPTION	DATE	APPD
DF	LO			B	REV PER ECO 05-10335	6-06	SG

17 POSN 21°10' THROW, LAYER 1  
 ● = CLOSED TO COMMON

POSN.	B	C	D	E
1	●	●	●	●
2	●	●	●	●
3	●	●	●	●
4	●	●	●	●
5	●	●	●	●
6	●	●	●	●
7	●	●	●	●
8	●	●	●	●
9	●	●	●	●
10	●	●	●	●
11	●	●	●	●
12	●	●	●	●
13	●	●	●	●
14	●	●	●	●
15	●	●	●	●
16	●	●	●	●
17	●	●	●	●

20 POSN. 18° THROW, LAYER 4  
 ● = CLOSED TO COMMON

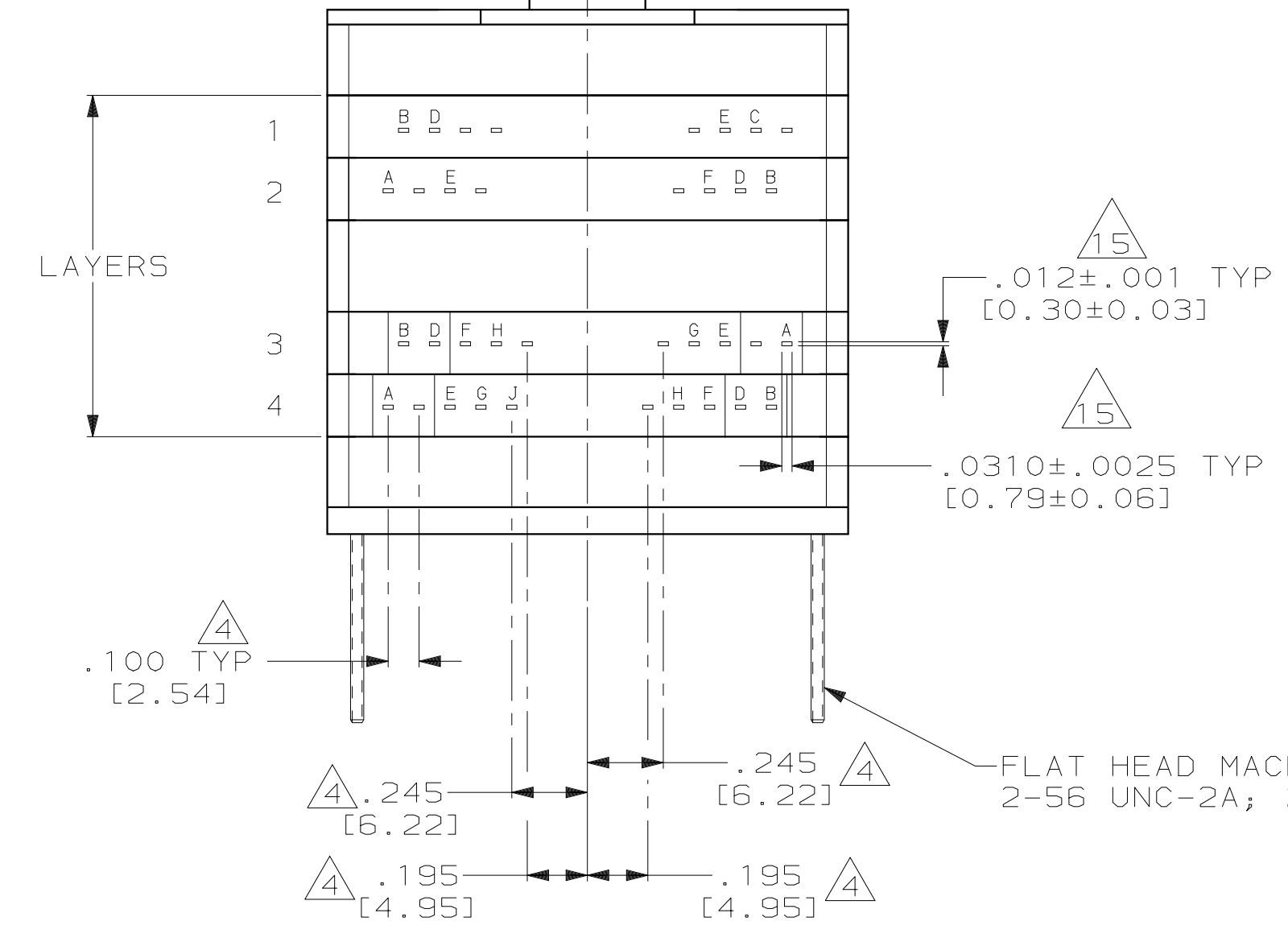
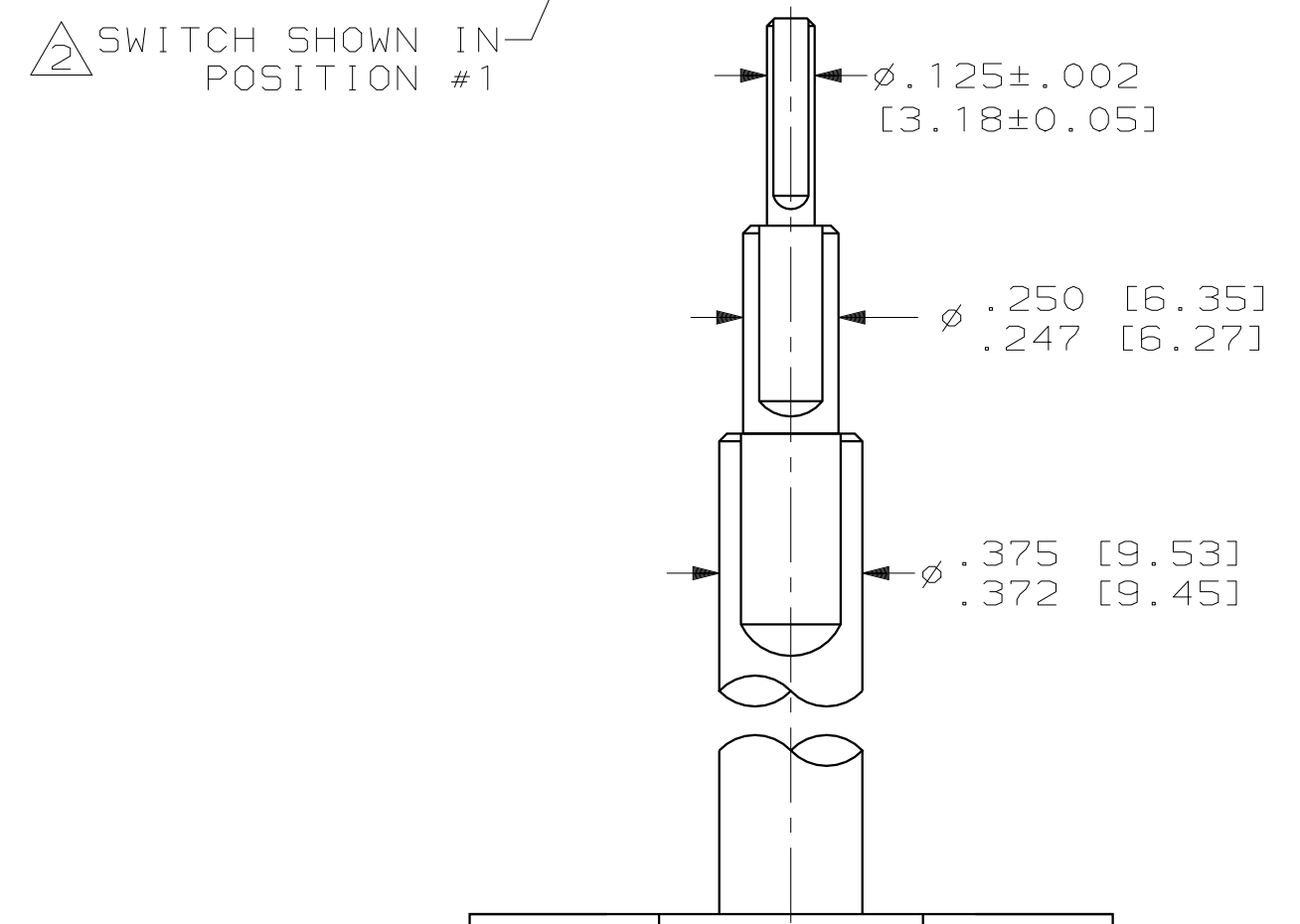
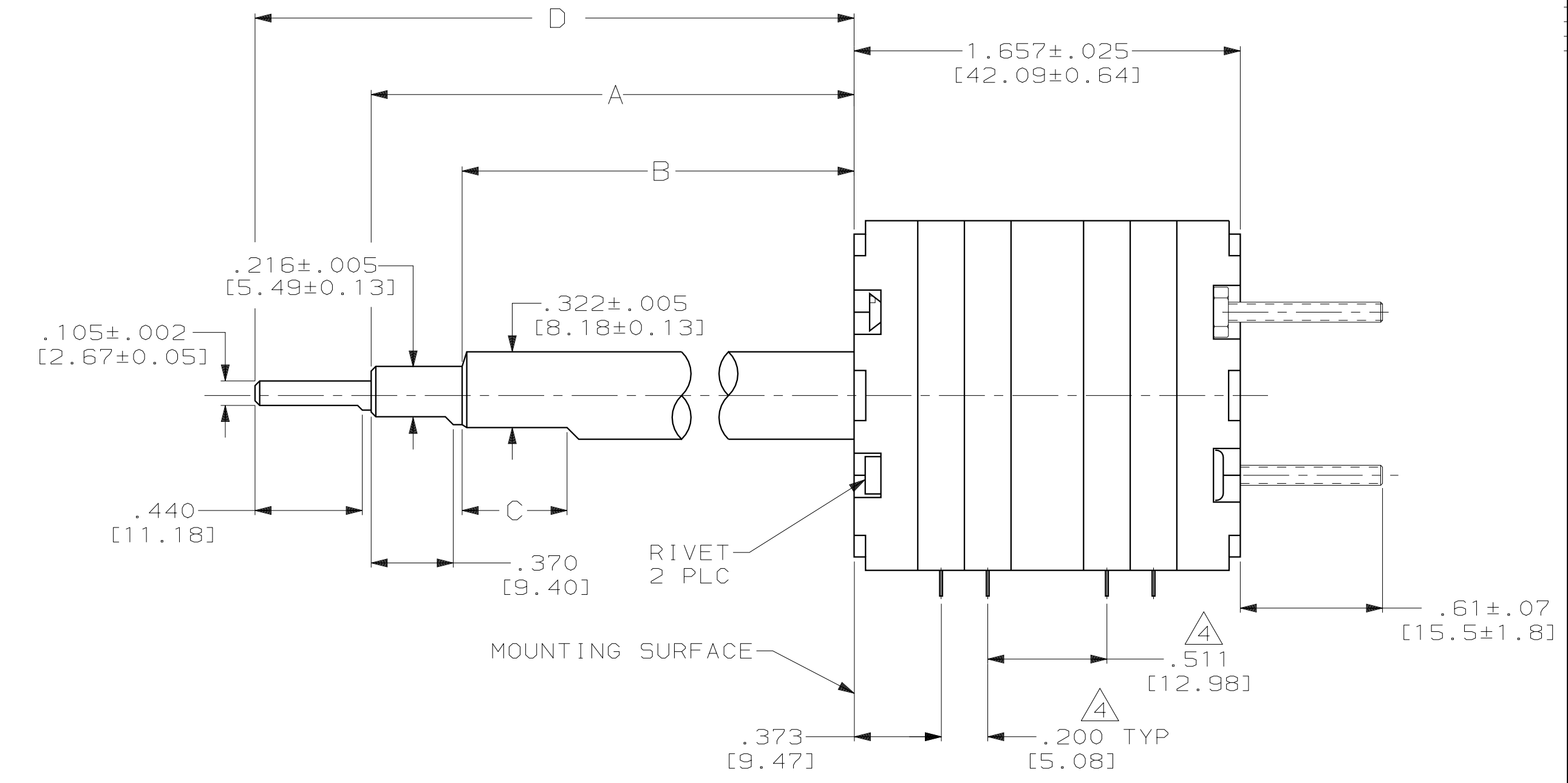
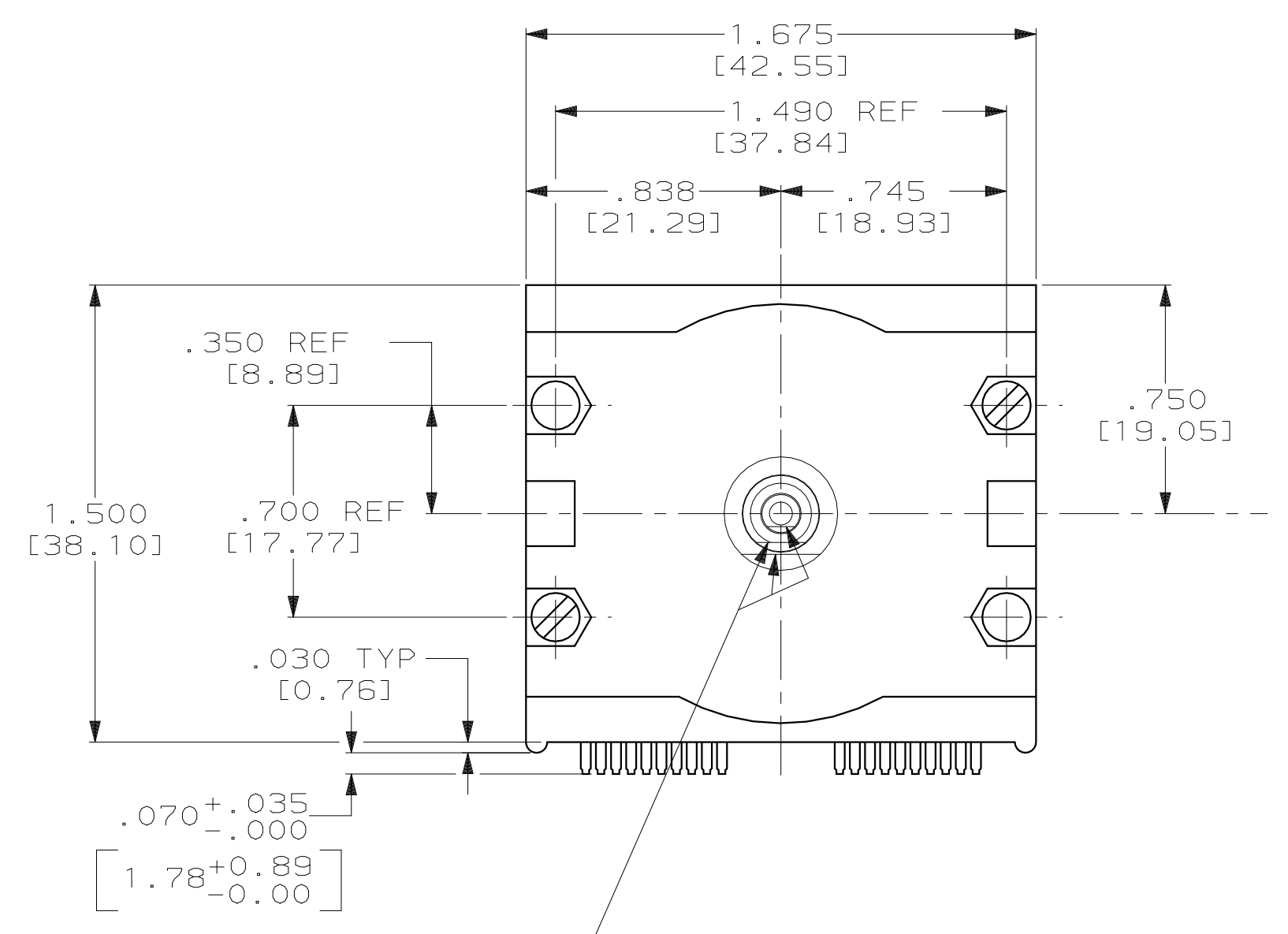
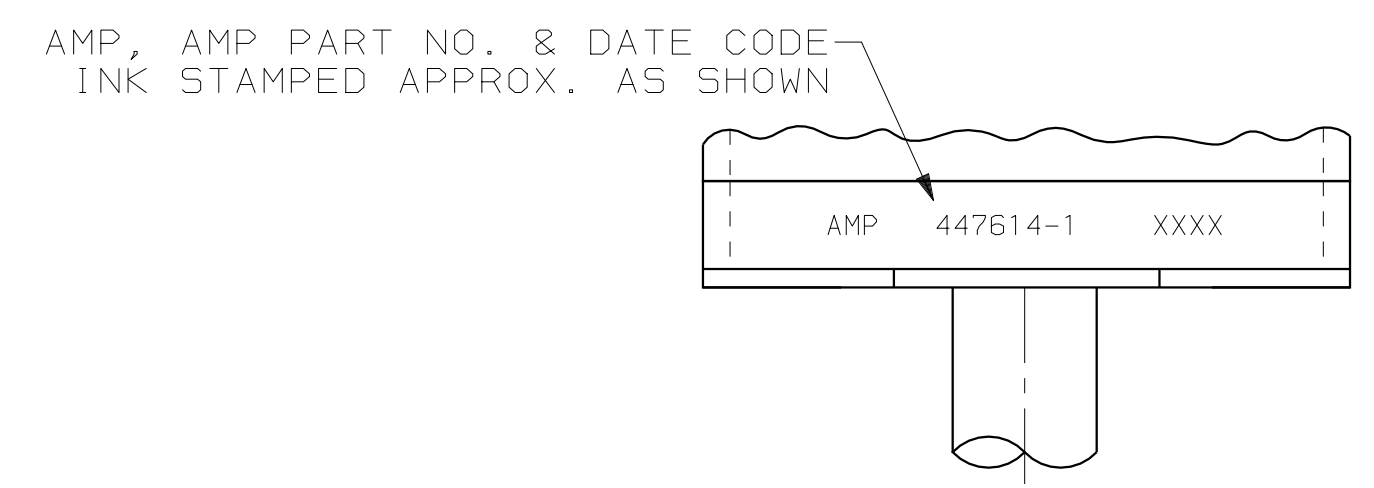
POSN.	A	B	D	E	F	G	H	J
1	●	●	●	●	●	●	●	●
2	●	●	●	●	●	●	●	●
3	●	●	●	●	●	●	●	●
4	●	●	●	●	●	●	●	●
5	●	●	●	●	●	●	●	●
6	●	●	●	●	●	●	●	●
7	●	●	●	●	●	●	●	●
8	●	●	●	●	●	●	●	●
9	●	●	●	●	●	●	●	●
10	●	●	●	●	●	●	●	●
11	●	●	●	●	●	●	●	●
12	●	●	●	●	●	●	●	●
13	●	●	●	●	●	●	●	●
14	●	●	●	●	●	●	●	●
15	●	●	●	●	●	●	●	●
16	●	●	●	●	●	●	●	●
17	●	●	●	●	●	●	●	●
18	●	●	●	●	●	●	●	●
19	●	●	●	●	●	●	●	●
20	●	●	●	●	●	●	●	●

17 POSN 21°10' THROW, LAYER 2  
 ● = CLOSED TO COMMON

POSN.	A	B	D	E	F
1	●	●	●	●	●
2	●	●	●	●	●
3	●	●	●	●	●
4	●	●	●	●	●
5	●	●	●	●	●
6	●	●	●	●	●
7	●	●	●	●	●
8	●	●	●	●	●
9	●	●	●	●	●
10	●	●	●	●	●
11	●	●	●	●	●
12	●	●	●	●	●
13	●	●	●	●	●
14	●	●	●	●	●
15	●	●	●	●	●
16	●	●	●	●	●
17	●	●	●	●	●

20 POSN. 18° THROW, LAYER 3  
 ● = CLOSED TO COMMON

POSN.	A	B	D	E	F	G	H
1	●	●	●	●	●	●	●
2	●	●	●	●	●	●	●
3	●	●	●	●	●	●	●
4	●	●	●	●	●	●	●
5	●	●	●	●	●	●	●
6	●	●	●	●	●	●	●
7	●	●	●	●	●	●	●
8	●	●	●	●	●	●	●
9	●	●	●	●	●	●	●
10	●	●	●	●	●	●	●
11	●	●	●	●	●	●	●
12	●	●	●	●	●	●	●
13	●	●	●	●	●	●	●
14	●	●	●	●	●	●	●
15	●	●	●	●	●	●	●
16	●	●	●	●	●	●	●
17	●	●	●	●	●	●	●
18	●	●	●	●	●	●	●
19	●	●	●	●	●	●	●
20	●	●	●	●	●	●	●



- SWITCH NOT TO BE DISASSEMBLED.
- SWITCH POSITIONS INCREASE WHEN ROTATED IN A CLOCKWISE DIRECTION.
- DO NOT MAKE ELECTRICAL CONNECTION TO ANY UNUSED PINS.
- THESE DIMENSIONS HAVE NON-CUMULATIVE TOLERANCES.
- THE TORQUE REQUIRED TO ROTATE THE PRIMARY SHAFT OR SECONDARY SHAFT OR TERTIARY SHAFT SHALL NOT EXCEED THE 10 IN OZ.±5 IN. OZ. RANGE.
- FOR ADDITIONAL SPECIFICATIONS SEE AMP PRODUCT SPEC. 108-7061.
- CODE TRANSITION TO TAKE PLACE MIDWAY BETWEEN DETENT POSITIONS ±1.5°.
- LAYERS 2,3 & 4 PIN "B" IS COMMONED TO "A" 4°±1.5° BEFORE AND AFTER CENTER OF DETENT POSITION.
- LAYER 1 "B", "C" & "D" ARE COMMONED TO "E".
- LAYER 2 "D" & "E" ARE COMMONED TO "F".
- LAYER 3 "D", "E", "F" & "G" ARE COMMONED TO "H".
- LAYER 4 "D", "E", "F", "G" & "H" ARE COMMONED TO "J".
- ALL ELECTRICALLY ACTIVE PINS ARE IDENTIFIED BY LETTERS. THOSE NOT ELECTRICALLY ACTIVE ARE SHOWN, BUT NOT LETTERED.
- SWITCH IS 100% ELECTRICAL TESTED AND INSPECTED.
- CONTACT DIMENSION DOES NOT INCLUDE CUT-OFF BURR.

3.45±.04 [87.6±1.0]	.500 [12.70]	2.49±.02 [63.2±0.5]	2.99±.04 [75.9±1.0]	447614-2
3.25±.04 [82.6±1.0]	.600 [15.24]	2.42±.02 [61.5±0.5]	2.78±.04 [70.6±1.0]	447614-1
D DIM	C DIM	B DIM	A DIM	PART NO.

DO NOT SCALE PRINT. UNLESS SPECIFIED DIMENSIONS IN INCHES [mm] TOLERANCES ON: 2 PLC DEC ± .010 (0.25) ANGLES ± -	DR 1-16-91 CHUCK THOMAS	<b>AMP</b> AMP Incorporated Harrisburg, PA 17105-3608		
MATERIAL	CHK 1-21-91 S. GLATFELTER			
FINISH	APPD 1-21-91 S. GLATFELTER	NAME ROTARY SWITCH ASSY, 3510		
WEIGHT	APPD 1-31-91 C. THOMAS	SERIES, MULTI-SHAFT, 20 POSN PRIMARY & SECONDARY, 17 POSN TERTIARY, 4 LAYER		
	APPLICATION SPEC	SIZE D	CAGE CODE 00779	DRAWING NO 447614
		SCALE 2:1	SHEET 1 OF 1	

单击下面可查看定价，库存，交付和生命周期等信息

[>>TE Connectivity\(泰科\)](#)