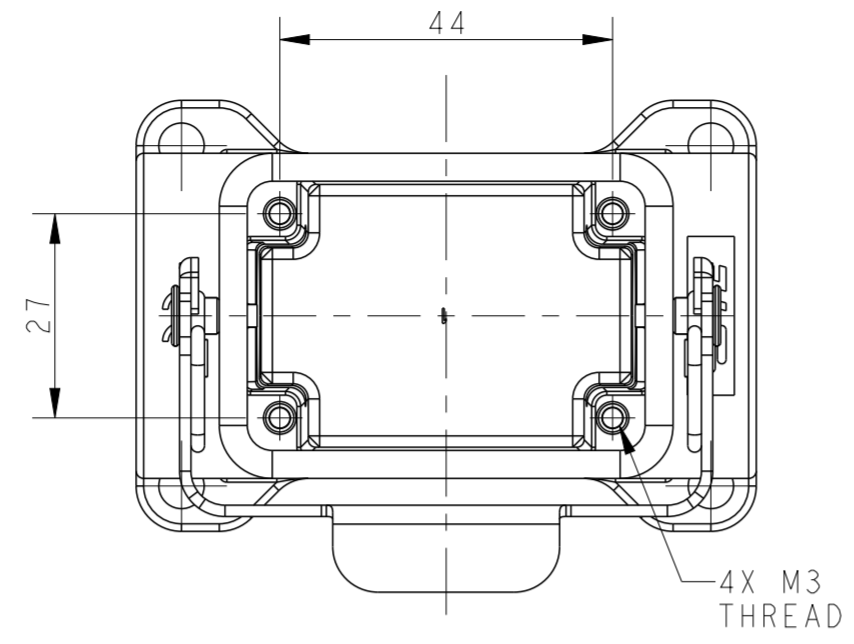


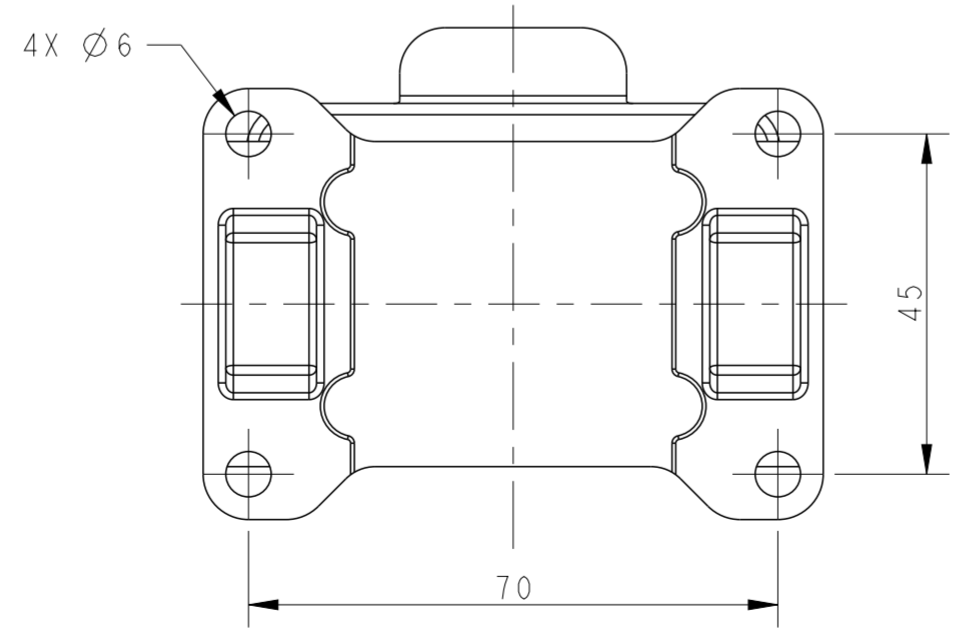
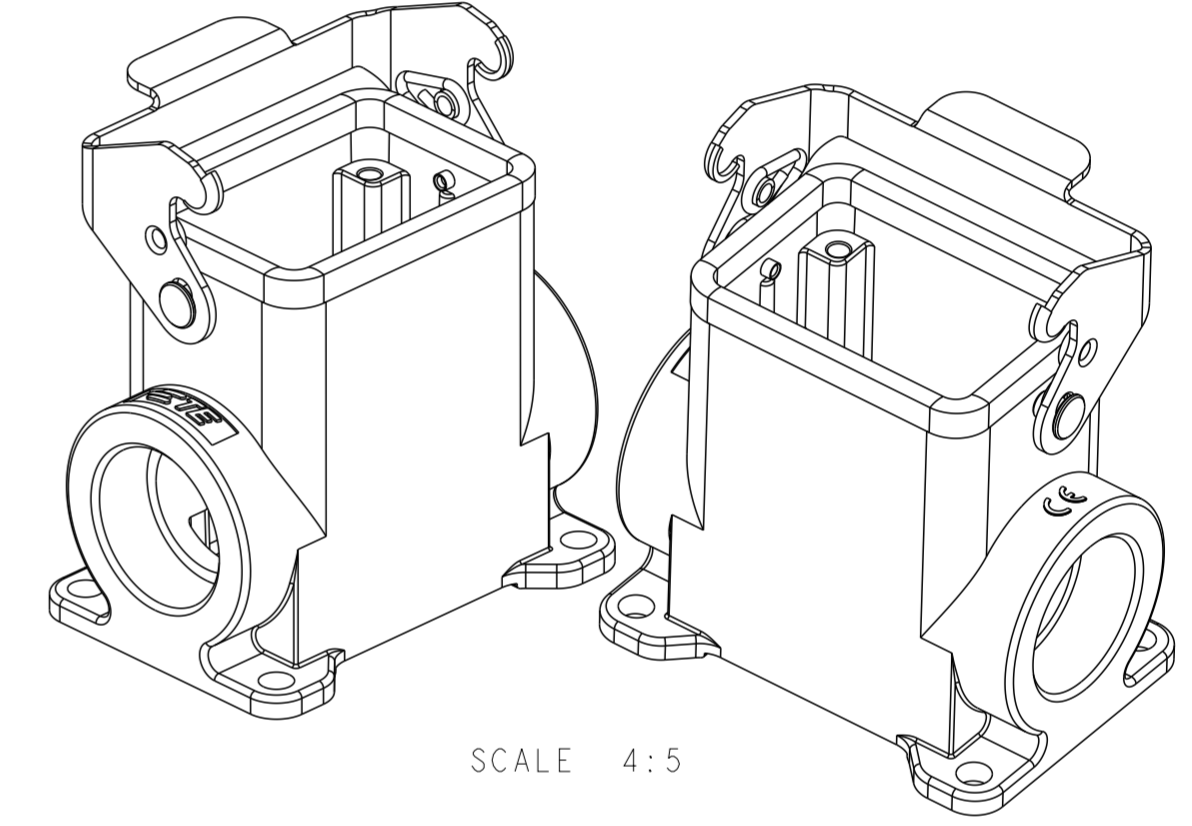
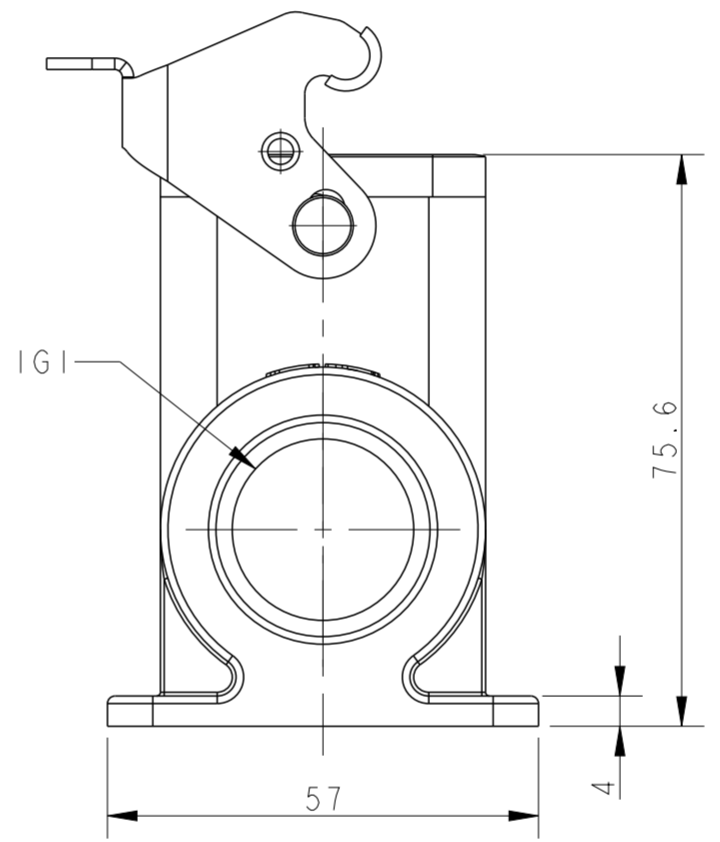
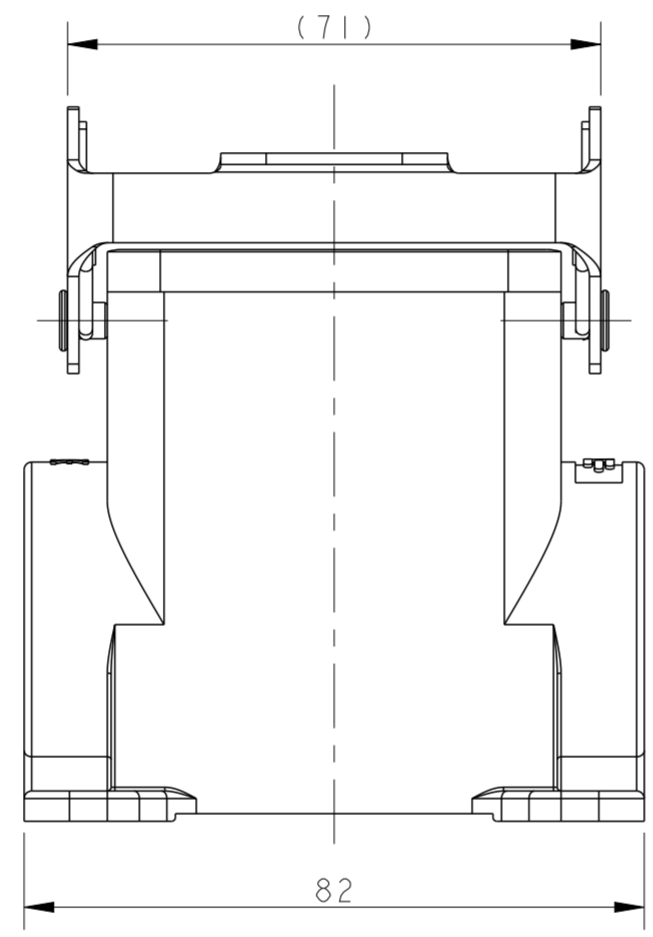
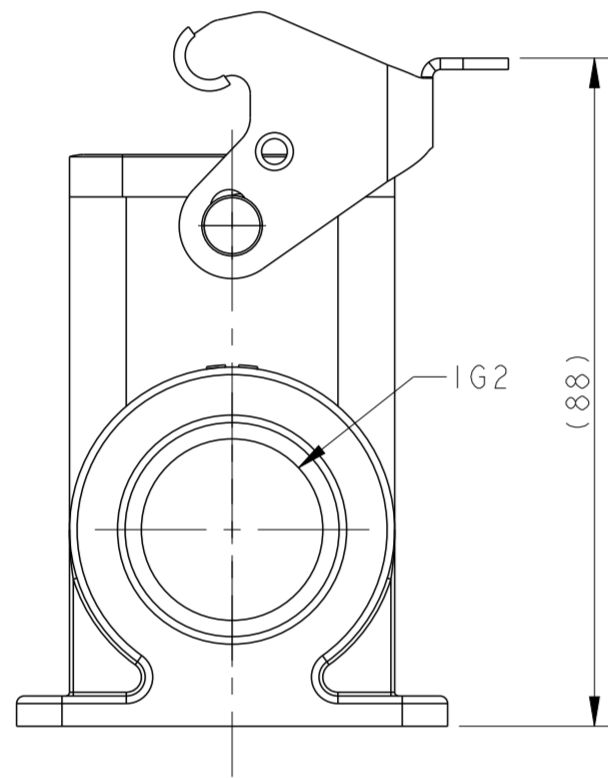
THIS DRAWING IS UNPUBLISHED. RELEASED FOR PUBLICATION 20
 © COPYRIGHT 20 BY - ALL RIGHTS RESERVED.

REVISIONS					
P	LTR	DESCRIPTION	DATE	DWN	APVD
	A	INITIAL	23JUN2015	DW	CW
	A1	ECR-18-009192	02SEP2018	YC	CW
	B	ECR-20-007968	19JUN2020	WOR	CW



NOTES:
 1. TECHNICAL CHARACTERISTICS:
 HOUSING MATERIAL: DIE CAST ALUMINIUM ALLOY
 SURFACE: POWDER COATED, GREY
 DEGREE OF PROTECTION: IP65 (MATED)

注释:
 1. 技术参数:
 表面安装下壳材料: 铝合金
 表面处理: 粉末涂层, 灰色
 防护等级: IP65(配合)



T1650063121-000	H6B-SGRH-PG21	H6B HOUSING, SURFACE MOUNTED, METAL SINGLE LOCKING, PG21, HIGH CONSTRUCTION, POWDER COATED, GREY H6B下壳, 表面安装, 彩钢单扣, PG21, 高结构, 灰色粉末喷涂	PG21	-
T1650063129-000	H6B-SGRH-PG29	H6B HOUSING, SURFACE MOUNTED, METAL SINGLE LOCKING, PG29, HIGH CONSTRUCTION, POWDER COATED, GREY H6B下壳, 表面安装, 彩钢单扣, PG29, 高结构, 灰色粉末喷涂	PG29	-
T1650063125-000	H6B-SGRH-M25	H6B HOUSING, SURFACE MOUNTED, METAL SINGLE LOCKING, M25, HIGH CONSTRUCTION, POWDER COATED, GREY H6B下壳, 表面安装, 彩钢单扣, M25, 高结构, 灰色粉末喷涂	M25	-
T1650063132-000	H6B-SGRH-M32	H6B HOUSING, SURFACE MOUNTED, METAL SINGLE LOCKING, M32, HIGH CONSTRUCTION, POWDER COATED, GREY H6B下壳, 表面安装, 彩钢单扣, M32, 高结构, 灰色粉末喷涂	M32	-
T1650063221-000	H6B-SGRH-2PG21	H6B HOUSING, SURFACE MOUNTED, METAL SINGLE LOCKING, 2PG21, HIGH CONSTRUCTION, POWDER COATED, GREY H6B下壳, 表面安装, 彩钢单扣, 2PG21, 高结构, 灰色粉末喷涂	PG21	PG21
T1650063225-000	H6B-SGRH-2M25	H6B HOUSING, SURFACE MOUNTED, METAL SINGLE LOCKING, 2M25, HIGH CONSTRUCTION, POWDER COATED, GREY H6B下壳, 表面安装, 彩钢单扣, 2M25, 高结构, 灰色粉末喷涂	M25	M25
T1650063229-000	H6B-SGRH-2PG29	H6B HOUSING, SURFACE MOUNTED, METAL SINGLE LOCKING, 2PG29, HIGH CONSTRUCTION, POWDER COATED, GREY H6B下壳, 表面安装, 彩钢单扣, 2PG29, 高结构, 灰色粉末喷涂	PG29	PG29
T1650063232-000	H6B-SGRH-2M32	H6B HOUSING, SURFACE MOUNTED, METAL SINGLE LOCKING, 2M32, HIGH CONSTRUCTION, POWDER COATED, GREY H6B下壳, 表面安装, 彩钢单扣, 2M32, 高结构, 灰色粉末喷涂	M32	M32
PART NUMBER 料号	PART DESCRIPTION 描述		IG1	IG2

THIS DRAWING IS A CONTROLLED DOCUMENT.

DWN: DAVID WANG 23JUN2015
 CHK: CHRIS WANG 23JUN2015
 APVD: XIANG XU 23JUN2015

DAVID WANG
CHRIS WANG
XIANG XU

PRODUCT SPEC: 108-137013
 APPLICATION SPEC: 114-137013

MATERIAL: - FINISH: - WEIGHT: -

CUSTOMER DRAWING

NAME: H6B-SGRH-M/PG

SIZE: A2 CAGE CODE: 00779 DRAWING NO: T1650063XXX000 RESTRICTED TO: -

SCALE: 1:1 SHEET: 1 OF 1 REV: B

TE Connectivity

单击下面可查看定价，库存，交付和生命周期等信息

[>>TE Connectivity\(泰科\)](#)