

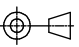


CODE 40 - BRAID TAIL BACKSHELL

208M816-19B08

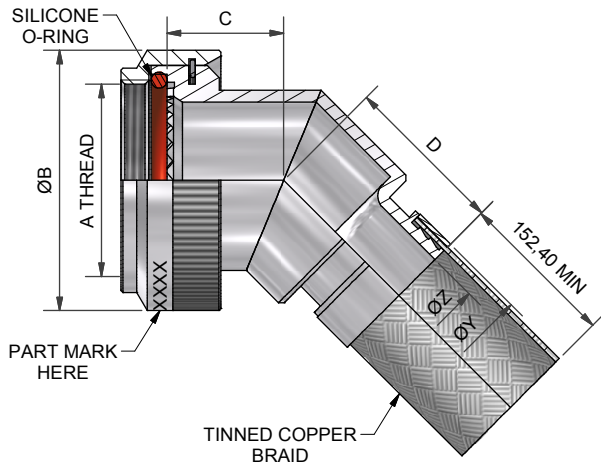
SERIES _____
 ORDER NUMBER (TABLE 1) _____
 MATERIAL _____
 REFER TO CH00-0250-004 _____
 FINISH _____
 REFER TO CH00-0250-004 (2) _____
 ENTRY SIZE (TABLE 2) _____

NOTES:

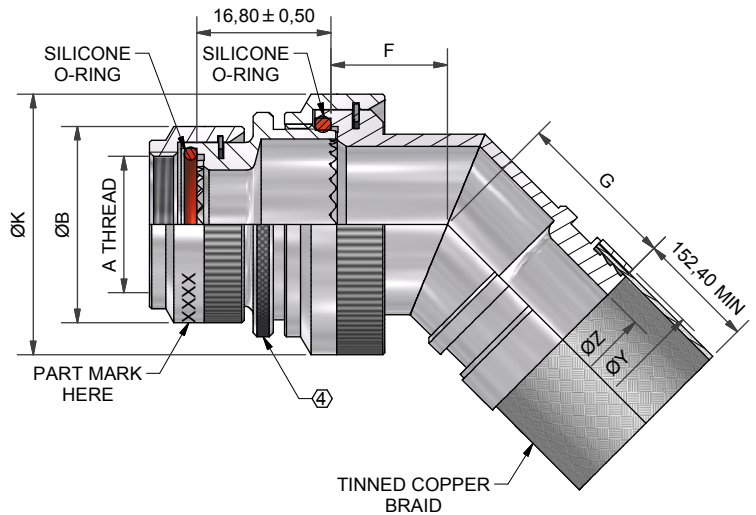
1. THIS PRODUCT IS DESIGNED TO TERMINATE A HEAT SHRINKABLE LIPPED BOOT TO A CONNECTOR.
- (2) FOR ADDITIONAL DIMENSIONS, ORDERING INFORMATION AND MODIFICATIONS, SEE CH00-0250-004.
3. BACKSHELL TO BE PERMANENTLY MARKED/BAGGED AND LABELLED WITH CODE IDENTIFICATION NUMBER AND PART NUMBER. (e.g. 06090-208M812-19B08).
- (4) WHEN ENTRY SIZE EXCEEDS "MAX ENTRY", A 2 PIECE BACKSHELL (TYPE 2) IS SUPPLIED.
5. BRAID TERMINATION RING MAY BE SUPPLIED AS TINEL-LOCK SHAPE MEMORY RING AT MANUFACTURERS OPTION.
6. BACKSHELL MATES TO MIL-DTL-38999, SERIES III AND IV, CLASS C, F, K, AND W, D38999/20, /24, /26, /40, /46 AND /47 CONNECTORS, AND WHEN SO MATED SHALL PROVIDE A WATER-TIGHT SEAL MEETING THE REQUIREMENTS OF MIL-C-85049, PARA. 3. 5. 7.

DRAWN	B.VESA	DATE 05/10/2015	 3RD ANGLE PROJECTION NOT TO SCALE	TITLE:	BRAID TAIL BACKSHELL	 Polamco 	
CHECKED		05/10/2015					
APPROVED	K.SHEPPARD	05/10/2015					UNLESS OTHERWISE SPECIFIED ALL DIMENSIONS IN MILLIMETRES GENERAL TOL LINEAR +/-0.25MM ANGULAR +/- 1°
APPROVED	H.SMITH	09/10/2015					
REVISIONS				ASSY USED ON:	MIL-DTL-38999 SERIES III & IV		
LTR	DESCRIPTION	DATE	APPROVED				
K	REVISED PER ECN AD94021						
L	REVISED PER ECO-15-014564	09/10/2015	H.SMITH				
TE CAGE CODE: 06090 POLAMCO/TE CAGE CODE: U5792				TE CONNECTIVITY - POLAMCO LTD RESERVES THE RIGHT TO AMEND THIS DRAWING AND TO INDEP	DRAWING NO: 208M8XX	DRAWING REV: L	SHT 1

IF MAX ENTRY IS EXCEEDED, BACKSHELL
WILL BE SUPPLIED AS TYPE 2



45° BACKSHELL - TYPE 1



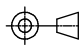
45° BACKSHELL - TYPE 2

TABLE 1

ORDER NUMBER	SHELL SIZE COML / MIL	A THREAD	ØB MAX	MAX ENTRY (4)	C ±0,5	D ±0,5
08	9 / A	M12x1.0	18,0	04	12,0	17,1
10	11 / B	M15x1.0	21,0	07	12,5	18,2
12	13 / C	M18x1.0	24,5	09	13,1	18,6
14	15 / D	M22x1.0	29,0	10	13,5	19,5
16	17 / E	M25x1.0	32,5	12	14,5	20,3
18	19 / F	M28x1.0	35,5	14	15,5	20,8
20	21 / G	M31x1.0	37,0	16	16,1	21,7
22	23 / H	M34x1.0	40,0	18	16,5	22,0
24	25 / J	M37x1.0	43,5	20	17,0	22,9

TABLE 2

ENTRY SIZE	ØZ REF	ØY REF	ØK MAX	F ±0,5	G ±0,5
03	4,77	13,1	NA	NA	NA
04	6,35	13,1	NA	NA	NA
05	7,92	13,1	21,0	12,5	18,2
06	9,52	17,9	21,0	12,5	18,2
07	11,12	17,9	21,0	12,5	18,2
08	12,70	17,9	24,5	13,1	18,6
09	14,27	17,9	24,5	13,1	18,6
10	15,87	24,2	29,0	13,5	19,5
11	17,47	24,2	32,5	14,5	20,3
12	19,05	24,2	32,5	14,5	20,3
13	20,62	24,2	35,5	15,5	20,8
14	22,23	30,6	35,5	15,5	20,8
15	23,82	30,6	37,0	16,1	21,7
16	25,40	30,6	37,0	16,1	21,7
17	26,98	33,2	40,0	16,5	22,0
18	28,60	33,2	40,0	16,5	22,0
20	31,80	42,0	43,5	17,0	22,9
21	33,34	42,0	48,5	18,5	24,8
22	35,00	42,0	48,5	18,5	24,8
24	38,10	42,0	52,1	21,9	25,8
28	44,45	49,0	58,5	25,7	26,4

DRAWN	B.VESA	DATE	05/10/2015	 3RD ANGLE PROJECTION NOT TO SCALE UNLESS OTHERWISE SPECIFIED ALL DIMENSIONS IN MILLIMETRES GENERAL TOL LINEAR +/-0,25MM ANGULAR +/- 1°
CHECKED		DATE	05/10/2015	
APPROVED	K.SHEPPARD	DATE	05/10/2015	
APPROVED	H.SMITH	DATE	09/10/2015	

TITLE:
BRAID TAIL BACKSHELL

ASSY USED ON:
MIL-DTL-38999 SERIES III & IV



REVISIONS			
LTR	DESCRIPTION	DATE	APPROVED
K	REVISED PER ECN AD94021		
L	REVISED PER ECO-15-014564	09/10/2015	H.SMITH

单击下面可查看定价，库存，交付和生命周期等信息

[>>TE Connectivity\(泰科\)](#)