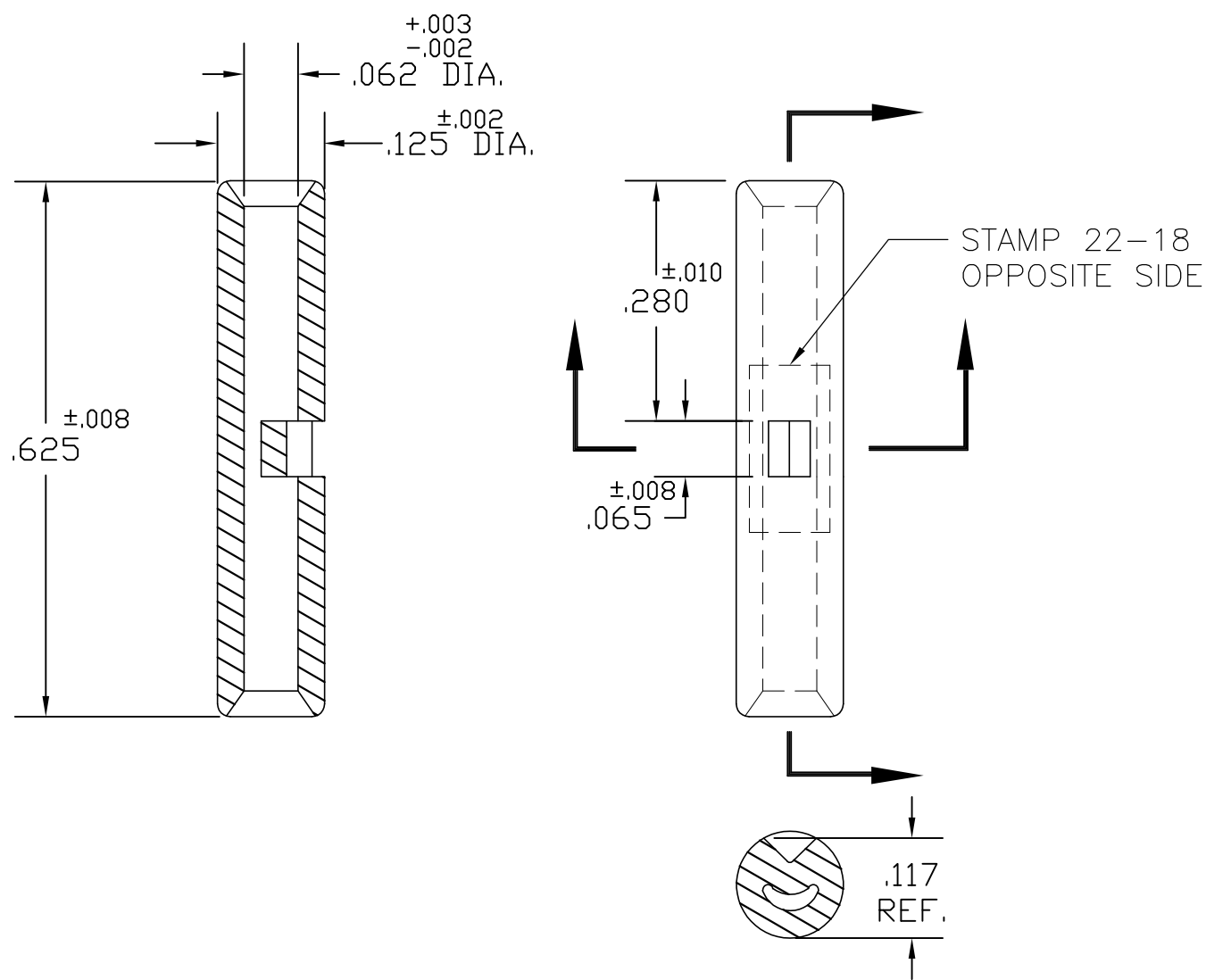


THIS DRAWING IS UNPUBLISHED. RELEASED FOR PUBLICATION
 © COPYRIGHT BY TYCO ELECTRONICS CORPORATION. ALL RIGHTS RESERVED.

LOC	DIST	REVISIONS			
P	LTR	DESCRIPTION	DATE	DWN	APVD
G	86	B	REVISED PER ECR-09-012883	25JUN09	HMR TM



ACTIVE	18B-003	STD	TIN PLATE	1527488-2
-	-	-	-	-
STATUS	AET P/N	PACKAGING	FINISH	PART NUMBER

THIS DRAWING IS A CONTROLLED DOCUMENT.		DWN JR RUTH 22FEB02	Tyco Electronics Corporation Harrisburg, PA 17105-3608		
DIMENSIONS: INCHES		CHK MJ SPICER 22FEB02	NAME SEAMLESS BUTT CONNECTOR 22-18 BARREL		
TOLERANCES UNLESS OTHERWISE SPECIFIED:		APVD MJ SPICER 22FEB02	PRODUCT SPEC		
0 PLC $\pm -$ 1 PLC $\pm -$ 2 PLC $\pm -$ 3 PLC $\pm -$ 4 PLC $\pm -$ ANGLES $\pm -$		APPLICATION SPEC		RESTRICTED TO	
MATERIAL COPPER ASTM B-152	FINISH SEE TABLE	WEIGHT -	SIZE A3	CAGE CODE 00779	DRAWING NO G-1527488
CUSTOMER DRAWING			SCALE 1:1	SHEET 1 OF 1	REV B

单击下面可查看定价，库存，交付和生命周期等信息

[>>TE Connectivity\(泰科\)](#)