

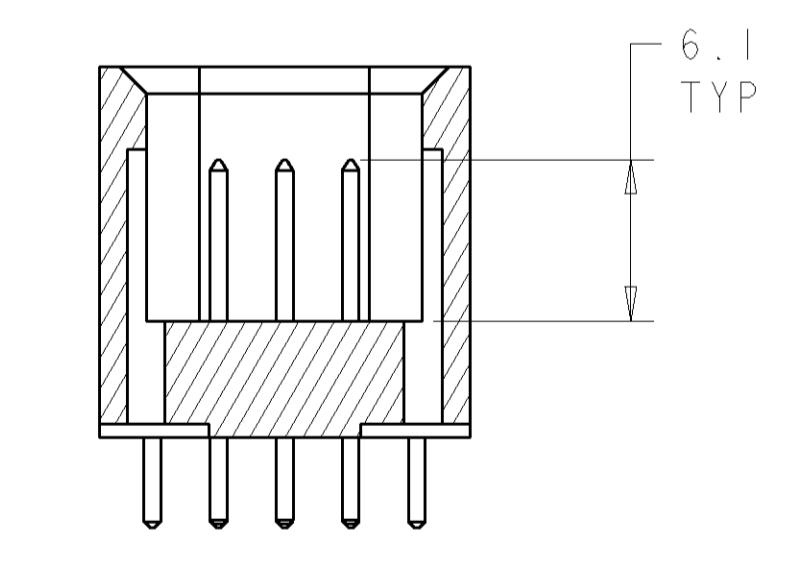
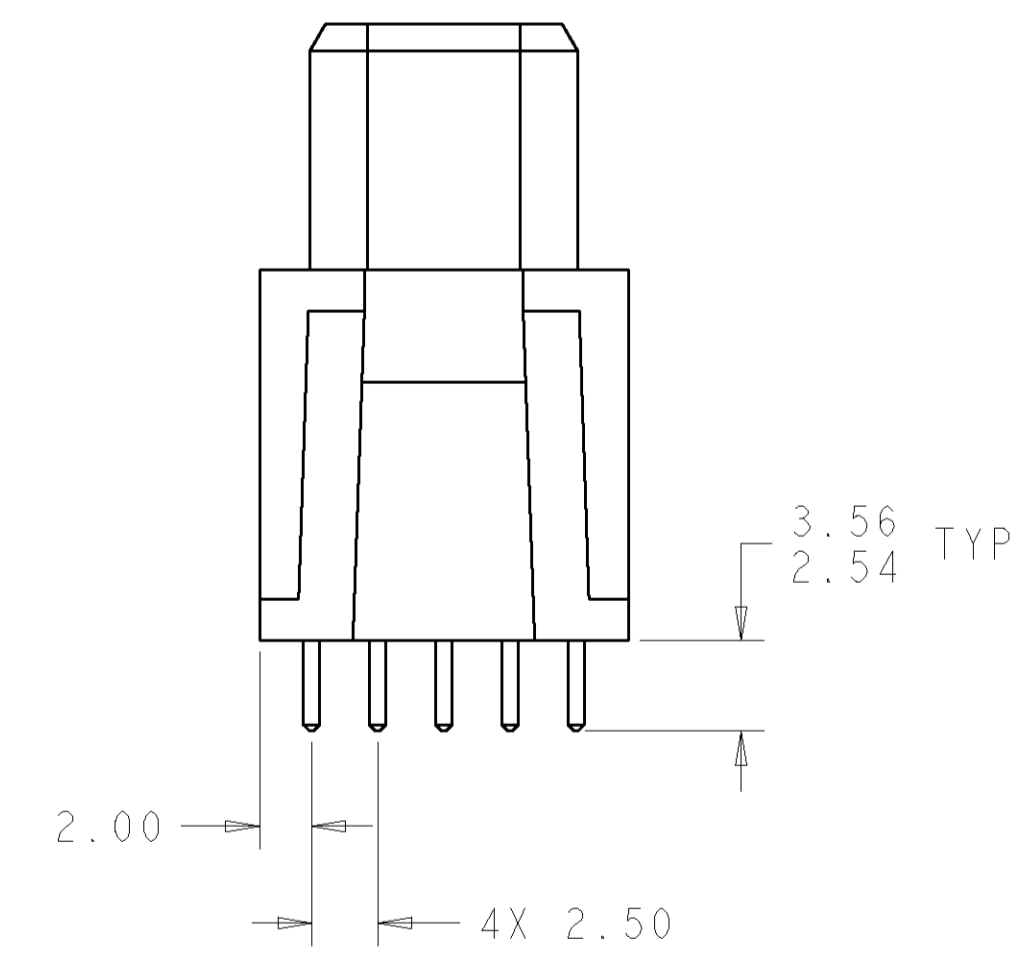
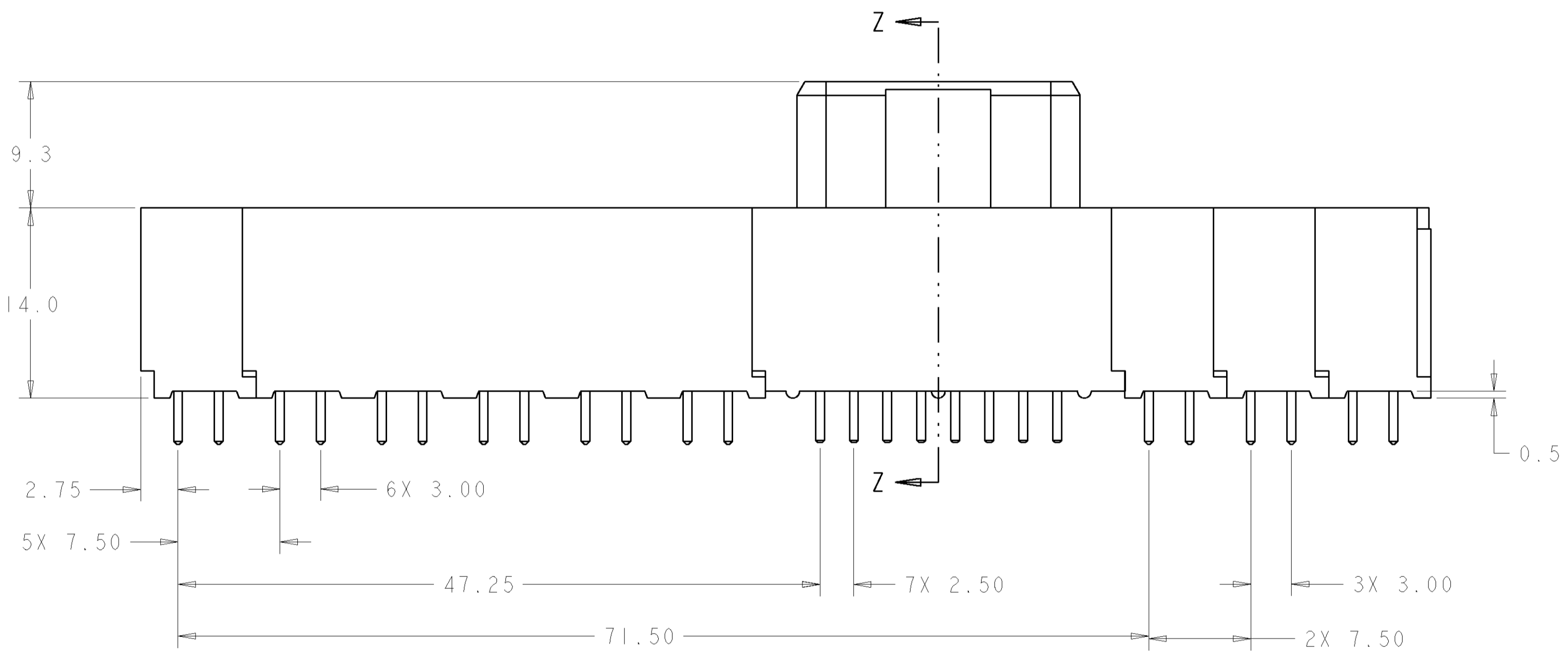
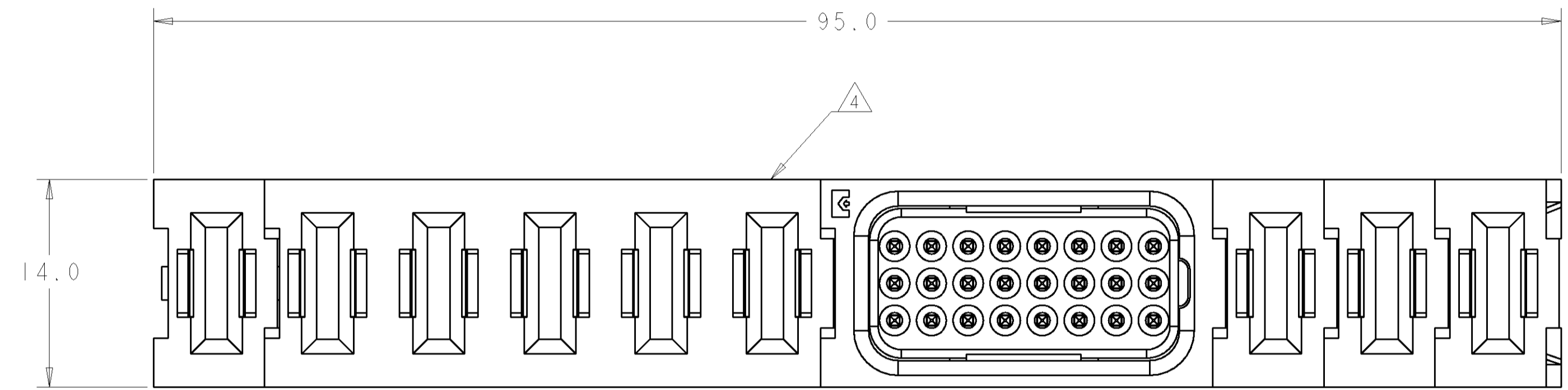
LOC		DIST		REVISIONS			
GP	00	P	LTR	DESCRIPTION	DATE	DWN	APVD
		A		NEW RELEASE	03AUG2007	RG	PD

- PART NUMBER CHANGES AND OR DESIGN CHANGES AFFECTING ITEM INTERCHANGEABILITY REQUIRE PRIOR TYCO ELECTRONICS APPROVAL AND AUTHORIZATION BY REVISION TO THIS DRAWING.
  - MATERIAL:
    - INSULATORS - THERMOPLASTIC, GLASS REINFORCED, COLOR: BLACK UL94V-0 FLAMMABILITY RATED.
    - POWER CONTACTS - PHOSPHOR BRONZE ALLOY, COPPER ALLOY
    - CROWN BANDS - BERYLLIUM COPPER ALLOY
    - SIGNAL CONTACTS - BRASS ALLOY
  - FINISH:
    - CONTACTS - GOLD PLATE 0.76µm MIN. THK. OVER
    - NICKEL 1.27µm MIN. THK.
    - SOLDER TAILS-TIN 3.05µm MIN. THK. ALL OVER
    - NICKEL 1.27µm MIN. THK.
- ⚠ ITEMS PROVIDED TO THIS SPECIFICATION TO BE PERMANENTLY IDENTIFIED PER THE FOLLOWING IDENTIFIER LABEL

YEAR 11 WEEK 11

TYCO ELECTRONICS P/N      DATE CODE (e.g. 0106)

XXXXXXXX-X                  XXXX

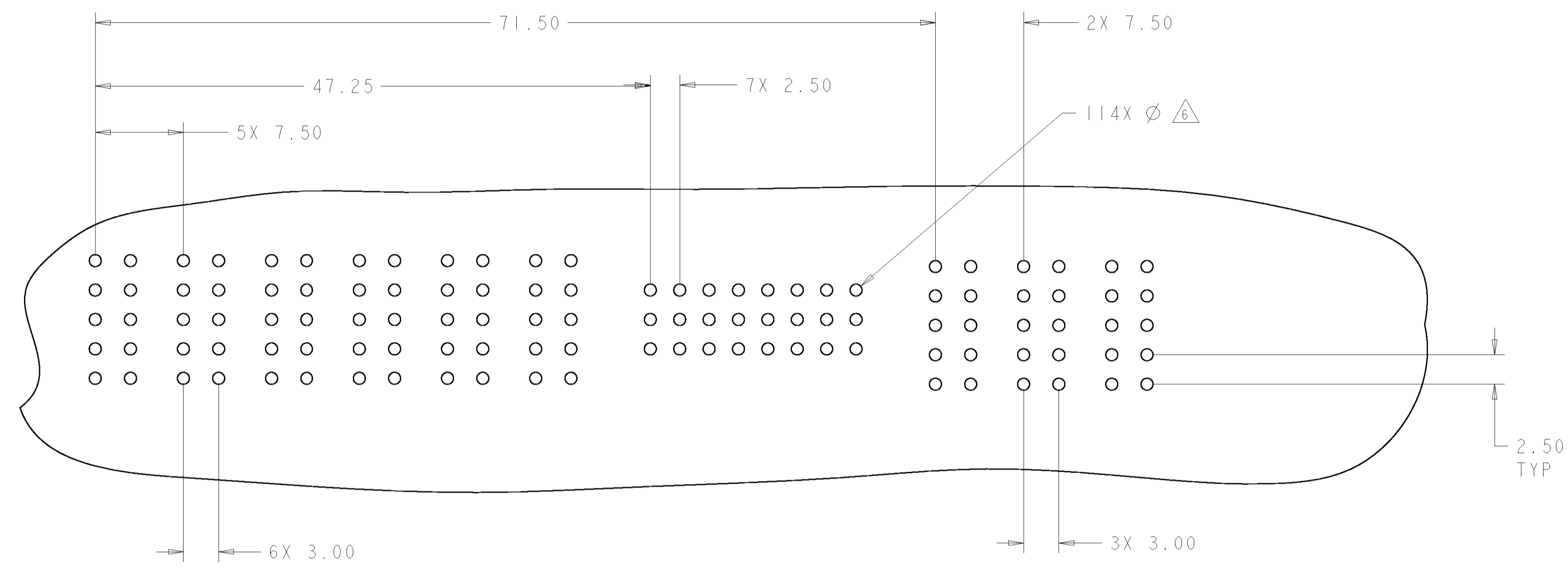


SECTION Z-Z  
 GENDER CHANGER REMOVED  
 FOR CLARITY

ELCON FLATPAQ

DIMENSIONS:		TOLERANCES UNLESS OTHERWISE SPECIFIED:		DWN R. GRZYBOWSKI 03AUG07		AS SHOWN		6646656-1	
mm	0 PLC ±.5	1 PLC ±.5	2 PLC ±.5	3 PLC ±.10	4 PLC ±.5	ENGR P. DAMATO 03AUG07	DESCRIPTION PART NUMBER		
MATERIAL -		FINISH -		APVD S. FLICKINGER 03AUG07		Tyco Electronics		Tyco Electronics Harrisburg, PA 17105-3608	
CUSTOMER DRAWING		WEIGHT -		PRODUCT SPEC -		APPLICATION SPEC -		NAME SOCKET CONNECTOR, STRAIGHT SOLDER TAILS	
SCALE 3:1		SHEET 1 OF 3		REV A		SIZE CAGE CODE DRAWING NO		RESTRICTED TO	
A100779		C=6646656							

LOC	DIST	REVISIONS					
GP	00	P	LTR	DESCRIPTION	DATE	DWN	APVD
-	-	-	-	SEE SHEET 1	-	-	-

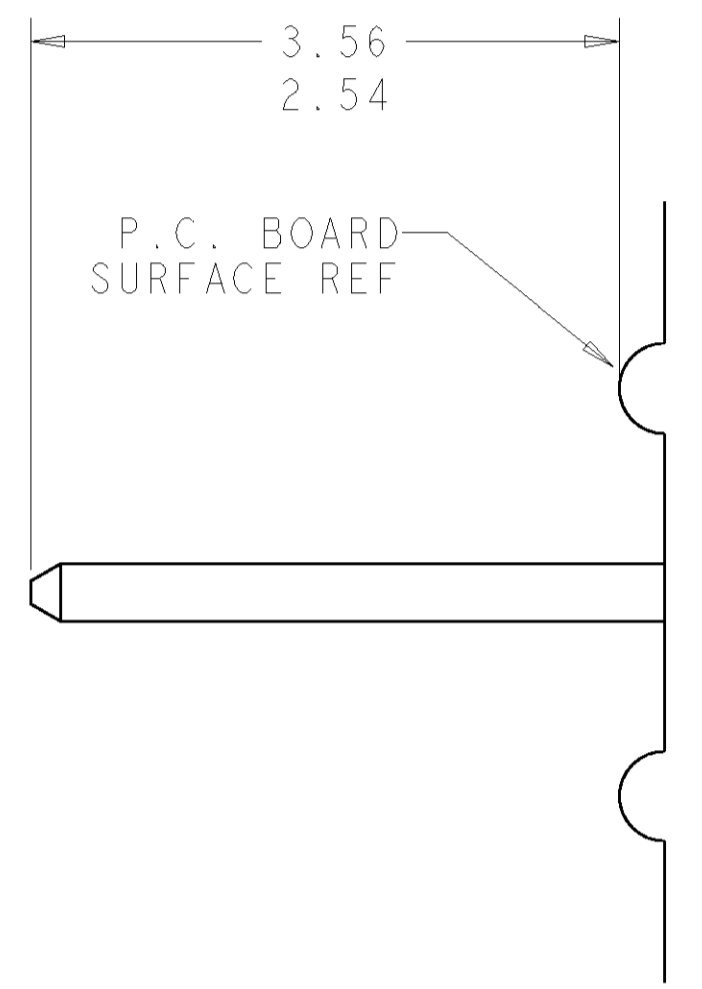


PRINTED CIRCUIT LAYOUT  
 COMPONENT SIDE

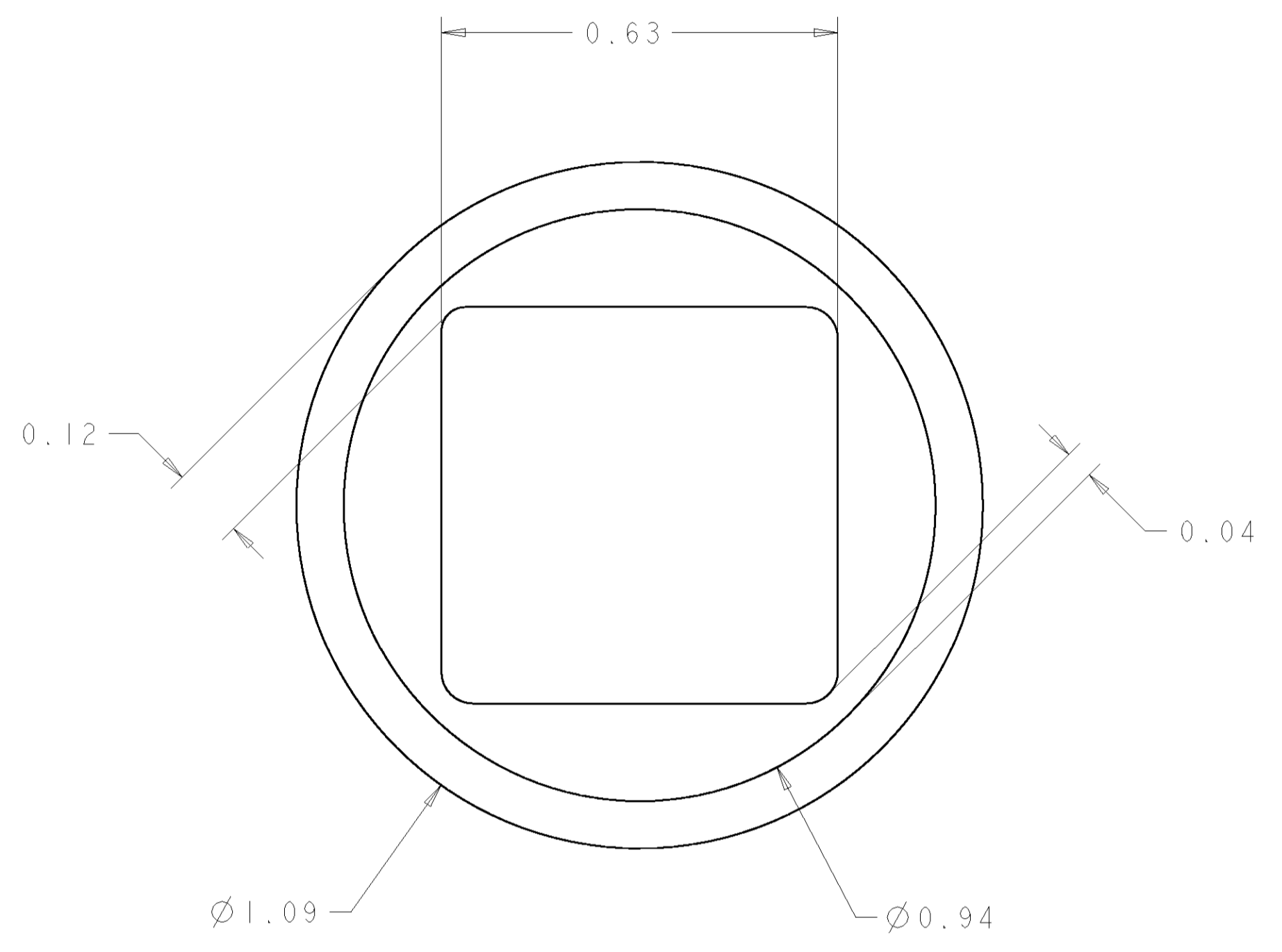
CONNECTOR	EQUIVALENT CATALOG MODULE #	MODULE QTY	CONTACT QTY	SIZE NO.	MATING PIN	MAX. CURRENT (PER CONTACT)	CONTACT SPACING	VOLTAGE RATING
SOCKET	FP100	9	9	8	1.25 X 7.00 [.049 X .276]	35 amps	7.50 [.2953]	250 VOLTS
	FP301	1	24	22	.64 [.025] SQ.	3 amps	2.50 [.0984]	125 VOLTS

<small>THIS DRAWING IS UNPUBLISHED. RELEASED FOR PUBLICATION. ALL RIGHTS RESERVED. THIS DRAWING IS THE PROPERTY OF TICO ELECTRONICS CORPORATION. IT IS TO BE USED ONLY FOR THE PURPOSES AND IN THE QUANTITIES SPECIFIED IN THE ORDER. IT IS TO BE RETURNED TO TICO ELECTRONICS CORPORATION IF IT IS NOT USED AS SPECIFIED.</small>		DWN R. GRZYBOWSKI CHK P. DAMATO APVD S. FLICKINGER	03AUG07 03AUG07 03AUG07	Tyco Electronics Harrisburg, PA 17105-3608
DIMENSIONS: mm 	TOLERANCES UNLESS OTHERWISE SPECIFIED: 0 PLC ± 1 PLC ±.5 2 PLC ±.5 3 PLC ±.10 4 PLC ± ANGLES ±.5 FINISH	NAME SOCKET CONNECTOR, STRAIGHT SOLDER TAILS	SIZE A100779C=6646656	RESTRICTED TO
MATERIAL	FINISH	WEIGHT	CUSTOMER DRAWING	SCALE 3:1 SHEET 2 OF 3 REV A

LOC	DIST	REVISIONS			
P	LTR	DESCRIPTION	DATE	DNW	APVD
-	-	SEE SHEET 1	-	-	-



5. SOLDER PIN DETAIL  
SCALE 10:1



△ SOLDER TERMINATION AREA  
SCALE 40:1  
RECOMMENDED PRINTED CIRCUIT SOLDER HOLE  
FINISHED HOLE: Ø1.02 [.040] ±.08 [.003]  
DRILLED HOLE: Ø1.15 [.0453] ±.013 [.0005]  
COPPER PLATE: .025 [.0010] MIN  
TIN PLATE: .008 [.0003] MIN. (PER SURFACE)

<small>THIS DRAWING IS UNPUBLISHED. RELEASED FOR PUBLICATION. THIS DRAWING IS THE PROPERTY OF TYCO ELECTRONICS CORPORATION. IT IS TO BE USED FOR THE DESIGN AND CONSTRUCTION OF THE ORGANIZATION WHICH IS CONTRACTED FOR THE LATEST PORTION.</small>		DWN B. GRZYBOWSKI CHK P. DAMATO APVD S. FLICKINGER	03AUG07 03AUG07 03AUG07	Tyco Electronics Harrisburg, PA 17105-3608
DIMENSIONS: mm 	TOLERANCES UNLESS OTHERWISE SPECIFIED: 0 PLC ±. 1 PLC ±.5 2 PLC ±.5 3 PLC ±.10 4 PLC ±. ANGLES ±.5 FINISH	NAME SOCKET CONNECTOR, STRAIGHT SOLDER TAILS	SIZE A100779	DRAWING NO C=6646656
MATERIAL		WEIGHT	SCALE 3:1	SHEET 3 OF 3
		CUSTOMER DRAWING		REV A

单击下面可查看定价，库存，交付和生命周期等信息

[>>TE Connectivity\(泰科\)](#)