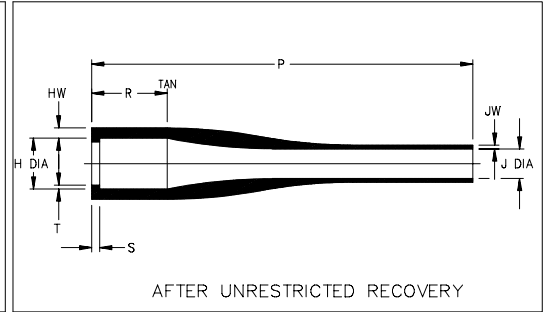
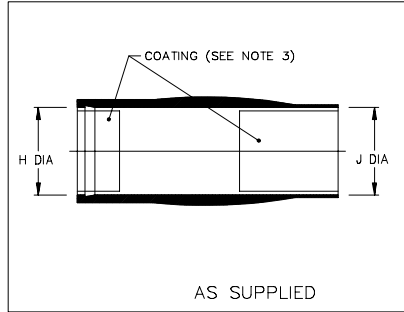


Thermofit[®] Molded Parts
 Specification Control Drawing
 Limited Distribution

Part Number : 207W667-X-04
 Description : Boot, Straight

NOTES

- All dimensions are in $\frac{\text{inches}}{\text{[millimeters]}}$
- Dimensions appearing in table are as follows:
 a - As Supplied
 b - After Unrestricted Recovery
- Coating is optional. As supplied dimensions appearing in table are for uncoated parts. When coating is added, entry diameters will be reduced by .06 max.



PART NUMBER	H		J		P ±10% b	R ±10% b	S ±10% b	T ±10% b	HW ±20% b	JW ±20% b
	Min	Max	Min	Max						
	a	b	a	b						
207W667	2.30 [58,4]	1.45 [36,8]	2.30 [58,4]	.95 [24,1]	7.24 [183,9]	1.60 [40,6]	.12 [3,0]	.06 [1,5]	.20 [5,1]	.10 [2,5]

Raychem

RAYCHEM CORPORATION
 300 CONSTITUTION DRIVE
 MENLO PARK, CALIFORNIA 94025

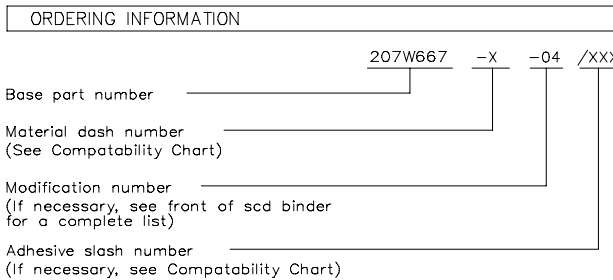
Revision : A
 Date : 2/16/00

Part Number : 207W667-X-04
 Description : Boot, Straight

Thermofit[®] Molded Parts
 Specification Control Drawing
 Limited Distribution

Part Number : 207W667-X-04
 Description : Boot, Straight

MATERIAL DASH NO.	MATERIAL DESCRIPTION	RT SPEC	COATING SLASH NO.	COATING S NO.	COATING DESCRIPTION
-3	Polyolefin, Semi-rigid	RT-301	N/A		
-4	Polyolefin, Flexible	RT-1304	N/A		



THIS DRAWING IS SUBJECT TO CHANGE WITHOUT NOTICE; CONSULT YOUR
 NEAREST FIELD REPRESENTATIVE FOR CURRENT REVISION

Raychem

RAYCHEM CORPORATION
 300 CONSTITUTION DRIVE
 MENLO PARK, CALIFORNIA 94025

Revision : A
 Date : 2/16/00

Part Number : 207W667-X-04
 Description : Boot, Straight

CAD FILE MP00016

If this document is printed it becomes uncontrolled.
 Check for the latest revision.

单击下面可查看定价，库存，交付和生命周期等信息

[>>TE Connectivity\(泰科\)](#)