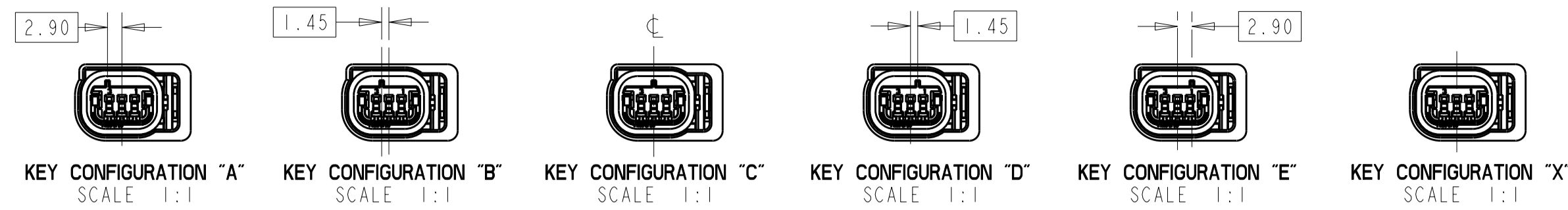
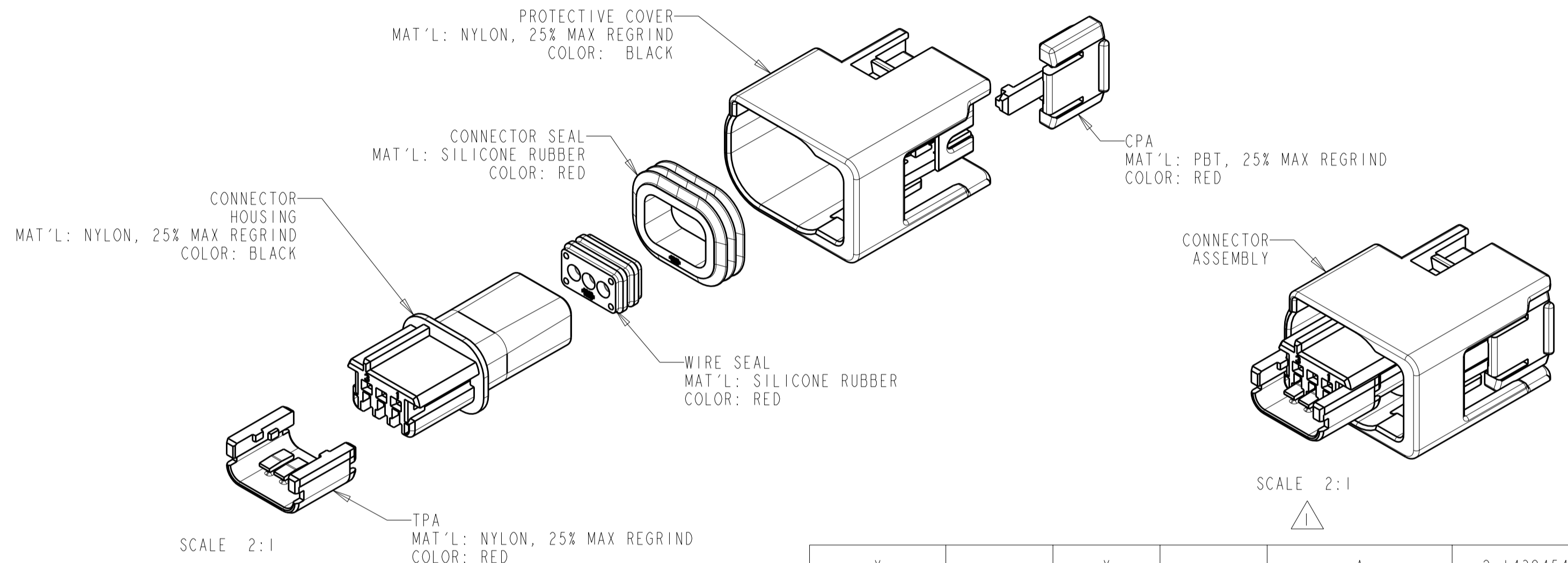
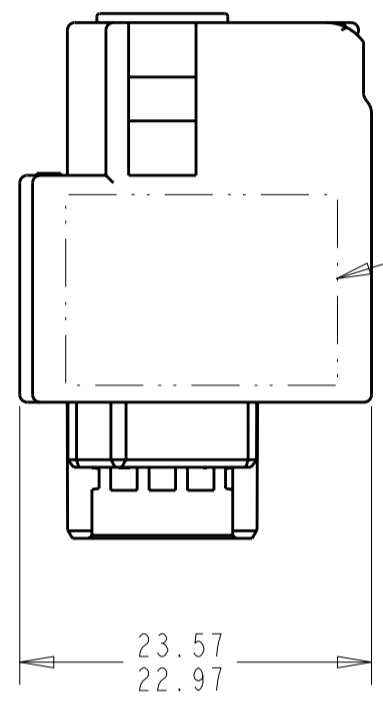


THIS DRAWING IS UNPUBLISHED. RELEASED FOR PUBLICATION
 © COPYRIGHT 20 BY TYCO ELECTRONICS CORPORATION. ALL RIGHTS RESERVED.

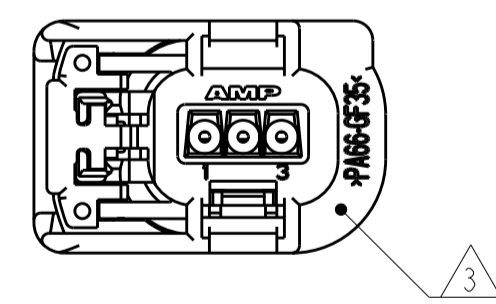
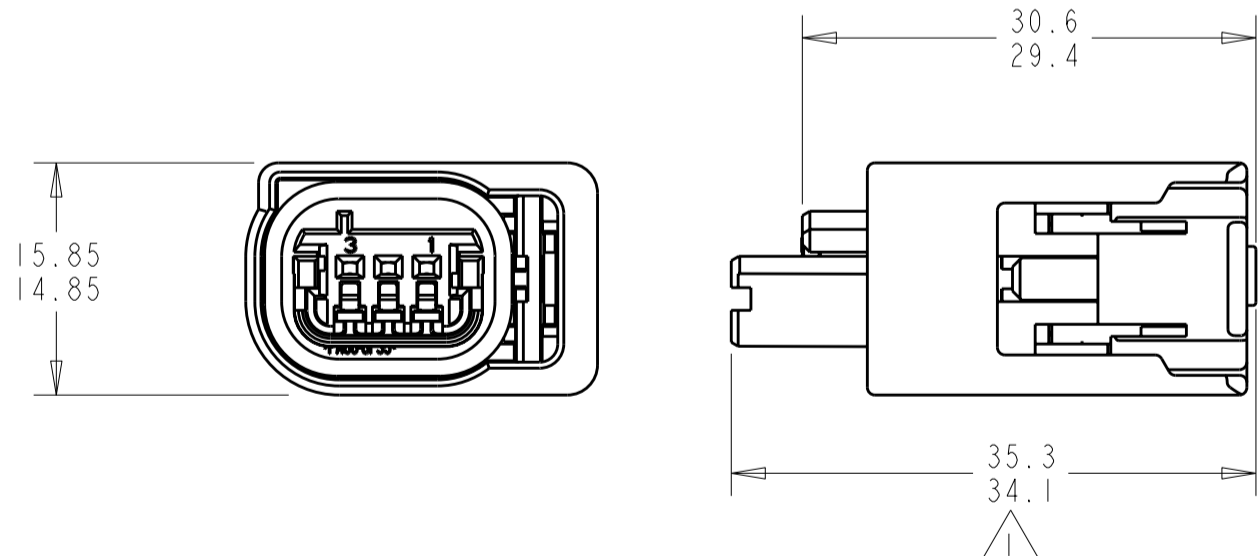
LOC	DIST	REVISIONS			
P	LTR	DESCRIPTION	DATE	DWN	APVD
FX	00				
	A3	REVISED PER ECO-08-018575	30JUL2008	DLD	CJS



KEYING CONFIGURATION



SCALE 2:1



Y	-	X	-	A	2-1438454-1
N	-	-	-	A	1-1438454-1
Y	-	-	-	X	1438454-7
Y	-	-	-	E	1438454-6
Y	-	-	-	D	1438454-5
Y	-	-	-	C	1438454-4
Y	-	-	-	B	1438454-3
Y	-	-	X	A	1438454-2
Y	-	-	-	A	1438454-1
CIRCUIT 3				CIRCUIT 2	CIRCUIT 1
CPA PRESENT				USED CIRCUIT PATTERN	
				KEY CONFIGURATION (DRAWING ZONE D3)	PART NUMBER

- 1 TPA SHOWN IN OPEN POSITION.
- 2 A "X" IN THIS TABLE INDICATES THAT THE CIRCUIT IS BLOCKED AND WILL NOT ALLOW INSERTION OF TERMINAL. A "-" INDICATES THAT INSERTION OF TERMINAL CAN OCCUR.
- 3 PART NUMBER 1438454-1 SHOWN.
- 4 AMP PART NUMBER AND DATE CODE MARKED IN THIS GENERAL LOCATION.
- 5. TERMINALS SOLD SEPARATELY. SEE TYCO ELECTRONICS RECOMMENDED PART NUMBER 1326028 (GOLD PLATED) OR 638551 (TIN PLATED) FOR TERMINATION AND REELING OPTIONS.

THIS DRAWING IS A CONTROLLED DOCUMENT FOR TYCO ELECTRONICS CORPORATION. IT IS SUBJECT TO CHANGE AND THE CONTROLLING ENGINEERING ORGANIZATION SHOULD BE CONTACTED FOR THE LATEST REVISION.

DWN: R. VESTAL IIAUG03
 CHK: M. SHORE IIAUG03
 APVD: M. SHORE IIAUG03

Tyco Electronics
 Harrisburg, PA 17105-3608

NAME: CONNECTOR ASSEMBLY, FEMALE, 3 POSITION SEALED, 0.64mm

SIZE: A2 CAGE CODE: 00779 DRAWING NO: 1438454

RESTRICTED TO: -

CUSTOMER DRAWING SCALE: 4:1 SHEET 1 OF 1 REV: A3

单击下面可查看定价，库存，交付和生命周期等信息

[>>TE Connectivity\(泰科\)](#)