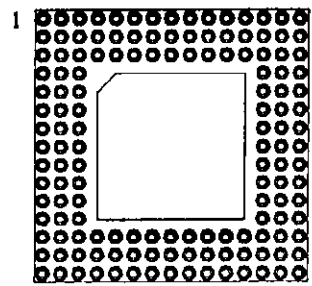
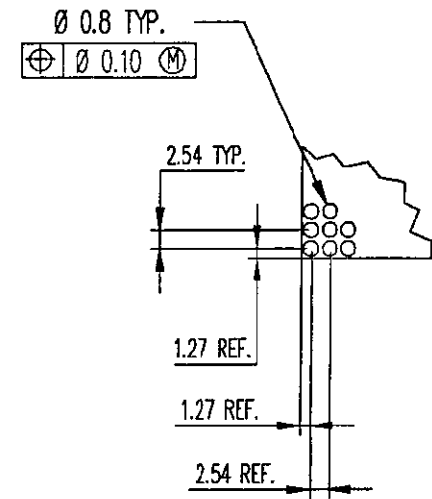
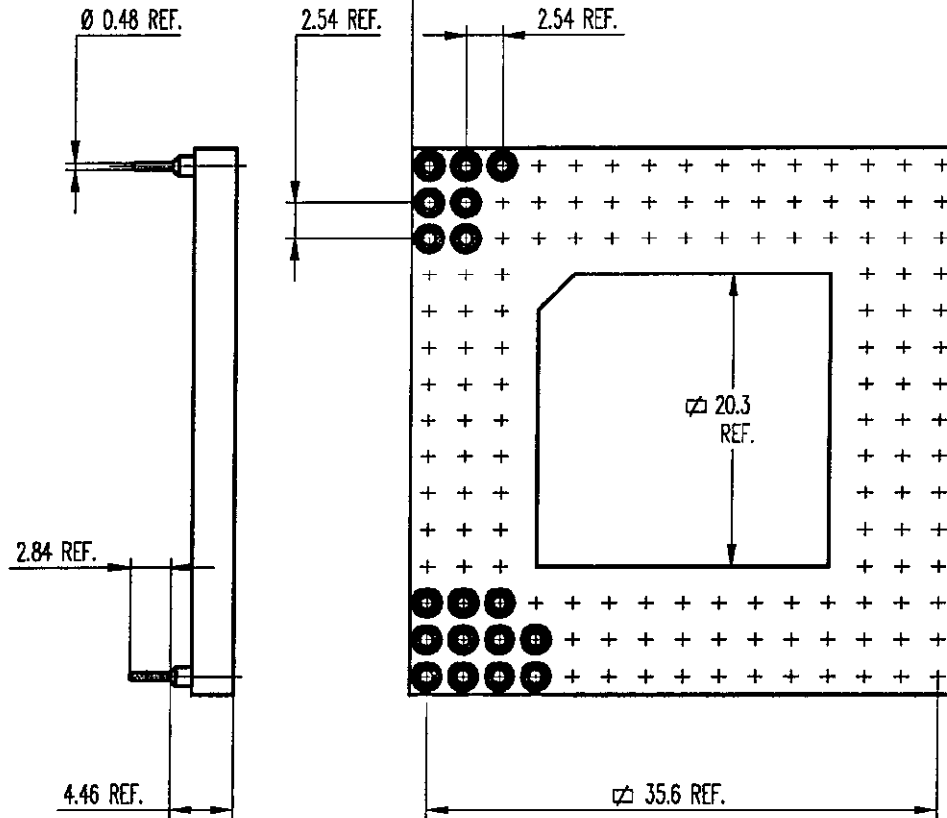


DRAWING NO
C- 210796



144 positions
 Ech. 1:1



RECOMMENDED P.C.
 BOARD PATTERN

NOTES :

1. SOLDER TAIL PLATING
 STANDARD 5µm Sn/Pb OVER 2-3µm Ni
 PREFIX "1-" 0.25µm Au OVER 2-3µm Ni
2. INNER CONTACT PLATING
 SUFFIX "-1" 0.25µm 18c. Au
 SUFFIX "-2" 0.50µm 18c. Au
 SUFFIX "-3" 0.75µm 18c. Au
 SUFFIX "-4" 0.75µm 24c. Au
 SUFFIX "-5" 5µm MIN. Sn/Pb
 SUFFIX "-6" 0.1µm FLASH 24c. Au
3. INNER SPRING CONTACT ACCEPT Ø 0.40 TO 0.56 OR RECTANGULAR PIN 0.25x0.45
4. MECHANICAL DATA WITH A Ø 0.46 N3 FINISHED PIN INSERTION FORCE SHALL BE 0.15N MAX. AND WITHDRAWAL FORCE SHALL BE 0.05N MIN.

DIMENSIONS		mm		DRAWN P.-A. MEIER 03 APR 97		THIS INFORMATION IS CONFIDENTIAL AND IS DISCLOSED TO YOU ON CONDITION THAT NO FURTHER DISCLOSURE IS MADE BY YOU TO OTHER THAN AMP PERSONNEL WITHOUT WRITTEN AUTHORIZATION FROM DSM SWITZERLAND.	
SURFACE TEXTURE		N7 (✓)		CHECKED A. BOLIS 04 APR 97		NAME	
CONCENTRICITY		0.15		APPROVED		OPEN FRAME ULIF PGA	
PRODUCT SPEC.		A EW00-0026-97		P.-A. MEIER 13 APR 97 P.-A. MEIER		15 x 15, 144 SOCKETS	
AMP		DSM DECOLLETAGE SA SAINT-MAURICE CH 1890 SAINT-MAURICE (VS)		CUSTOMER DRAWING FOR REFERENCE ONLY			
LOC	SCALE	SIZE	DRAWING NO	SHEET	REVISION		
EK	2/1	A4	C- 210796	1 r 1	A		

单击下面可查看定价，库存，交付和生命周期等信息

[>>TE Connectivity\(泰科\)](#)