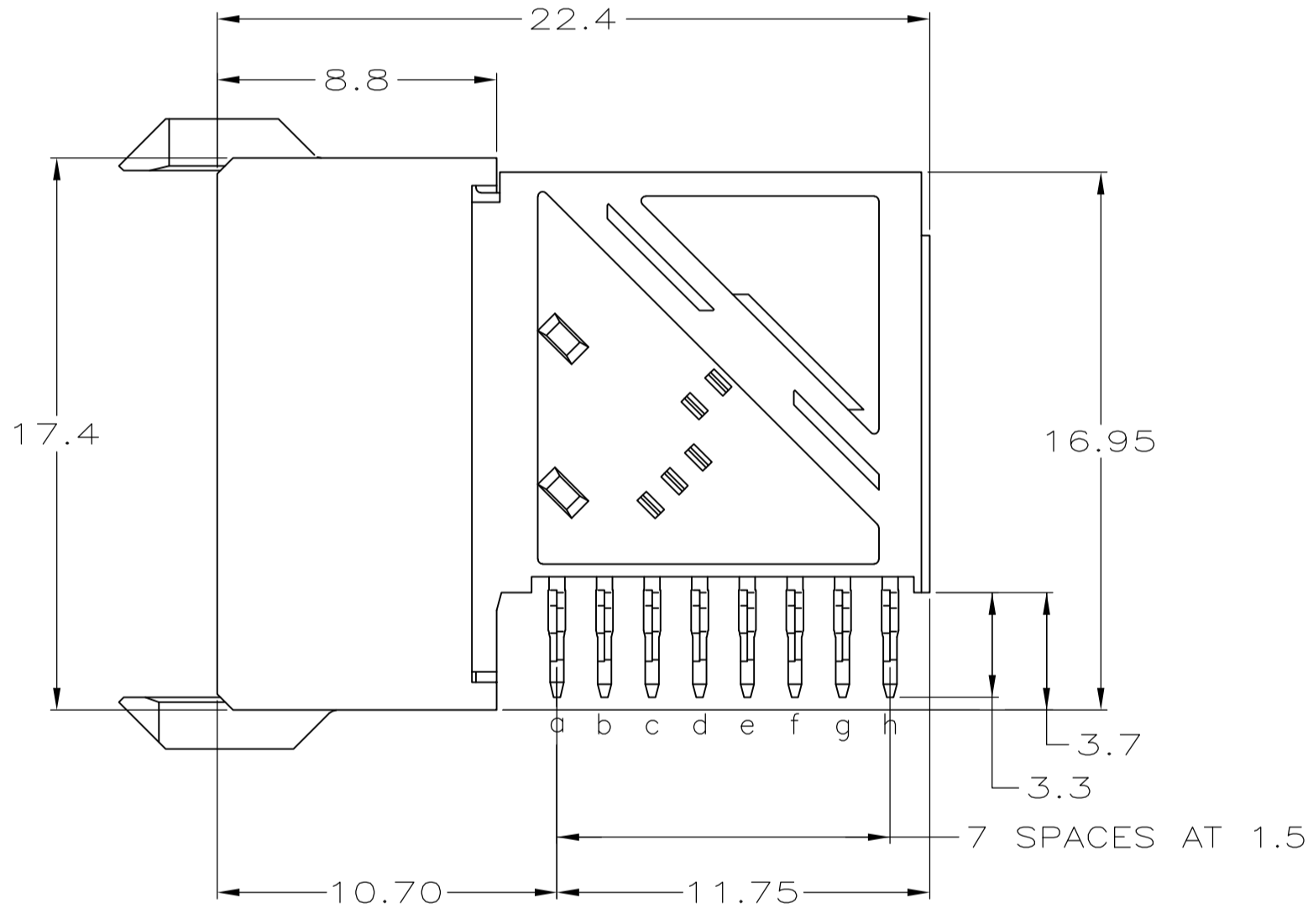
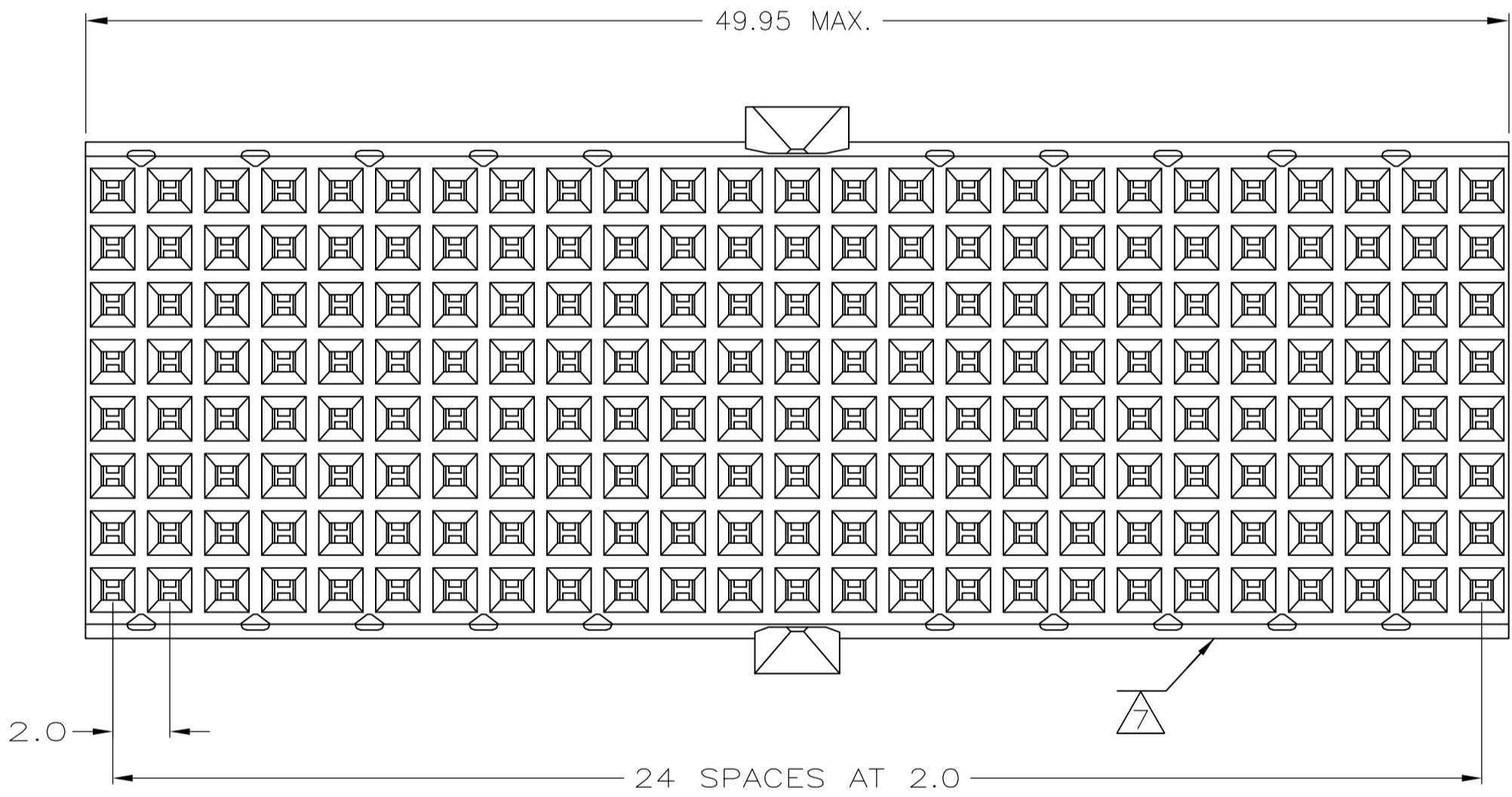
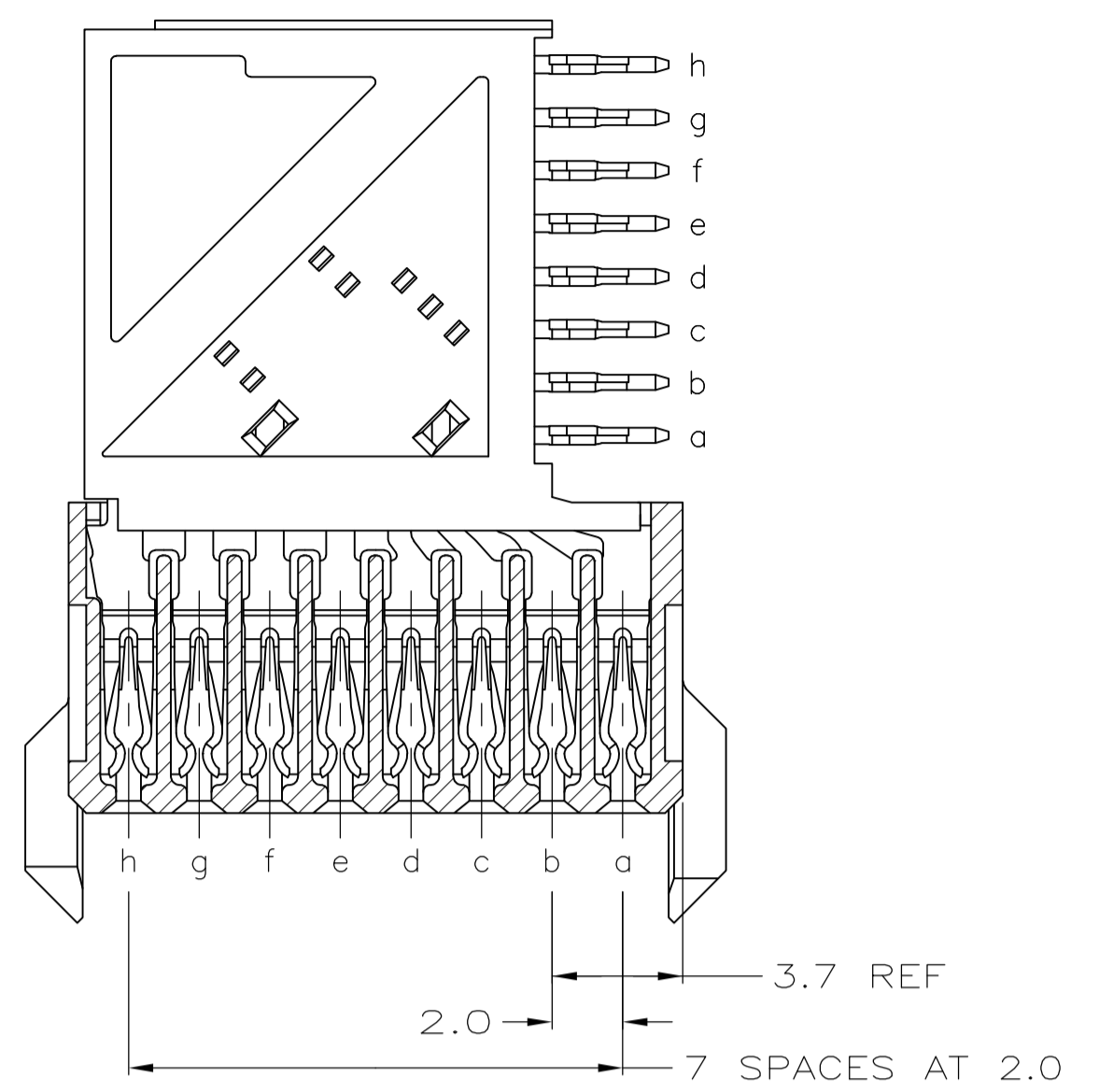
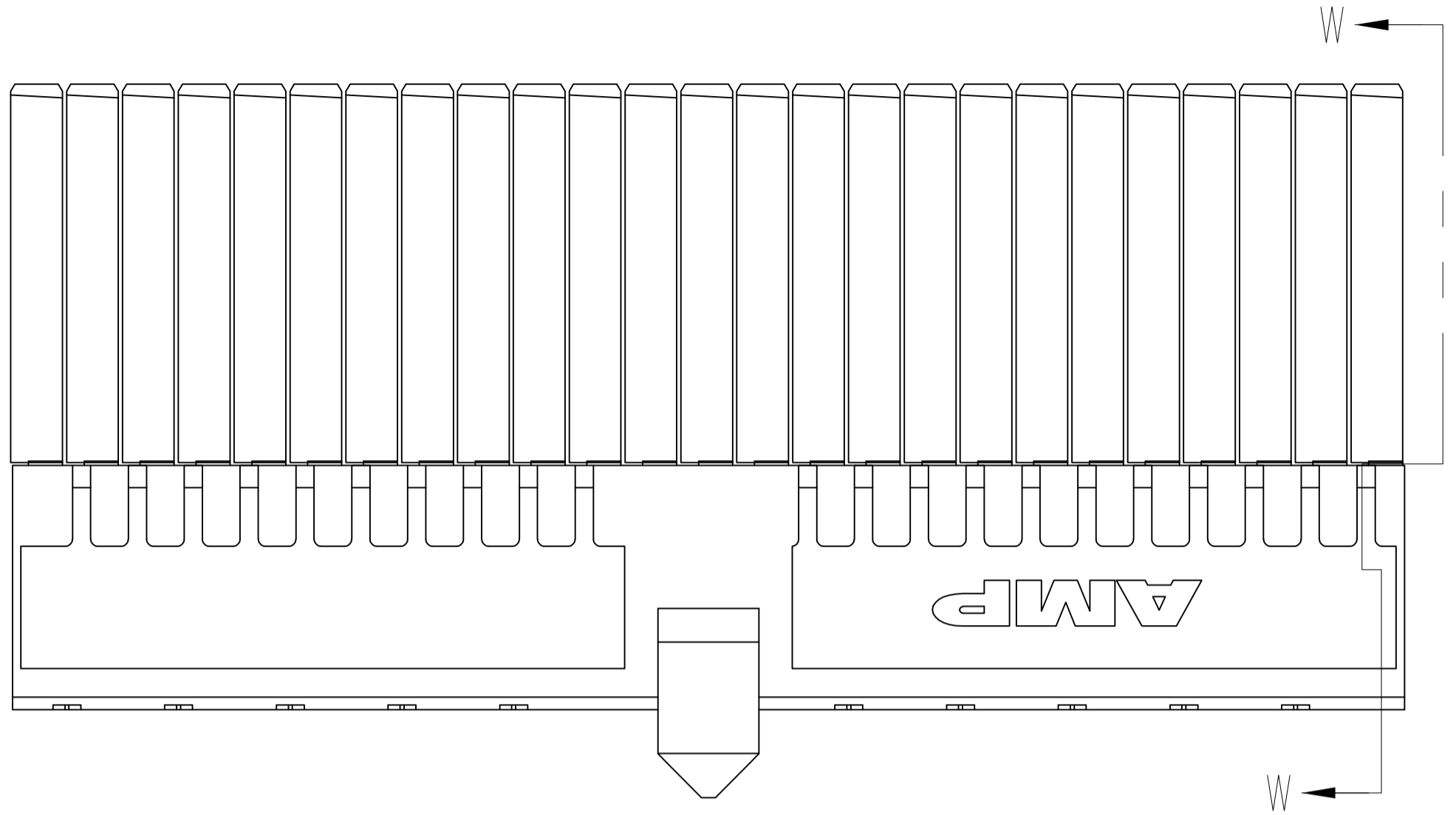


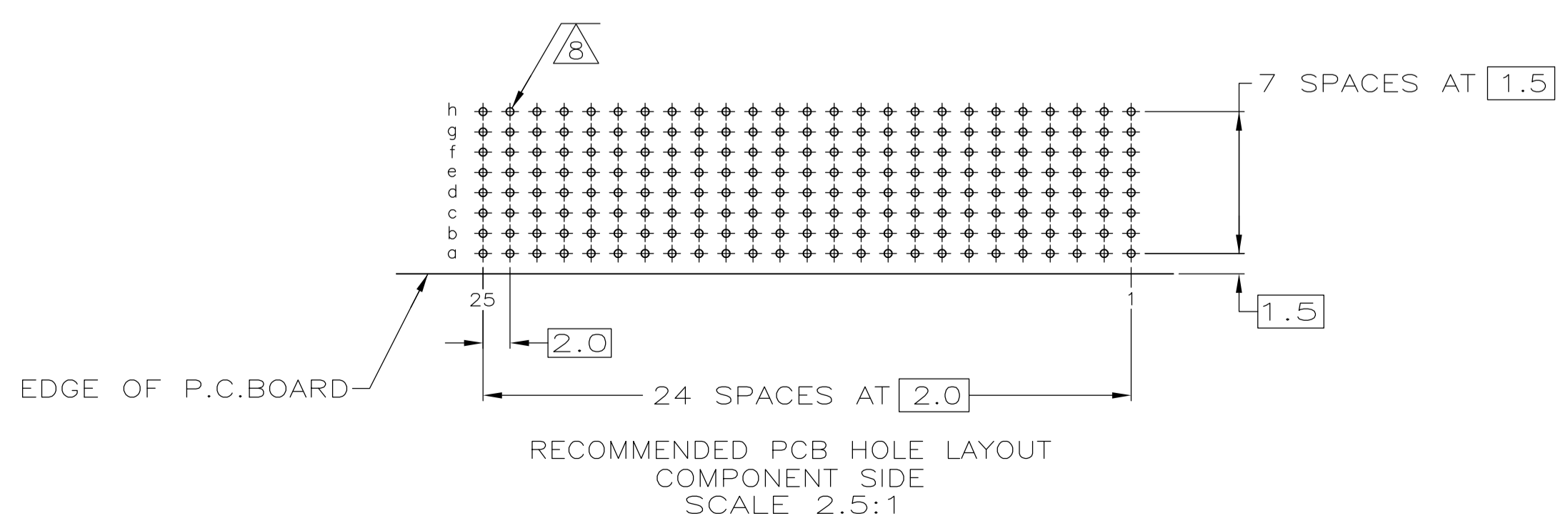
| LOC | | DIST | | REVISIONS | | | |
|-----|-----|-----------------------|---------|-----------|------|----|-----|
| P | LTR | DESCRIPTION | DATE | DMN | APVD | SY | MOJ |
| C | | REV PER ECR-11-003871 | 22FEB11 | RC | CW | | |
| D | | ECO-11-024491 | 13DEC11 | SY | MOJ | | |



- 1 MATERIAL:
CONTACT: PHOSPHOR BRONZE.
HOUSING: GLASS-FILLED POLYESTER.
- 2 GENERAL PLATING SPECIFICATION: UNDERPLATING
(ENTIRE CONTACT): 1.27µm MIN NICKEL AND ACTION
PIN: 0.5µm MIN TIN.
FOR PLATING OF MATING SURFACES SEE APPLICABLE
SPECIFICATION REFERENCE FOR EACH DASH NUMBER.
- 3 CONFORMS TO ALL TESTING ACCORDING TO IEC 61076-4-101
PERFORMANCE LEVEL 2.
- 4 CONFORMS TO ALL TESTING ACCORDING TO IEC 61076-4-101
PERFORMANCE LEVEL 1.
- 5 CONNECTOR TESTED AND QUALIFIED AGAINST TELCORDIA GR-1217-CORE QUALITY LEVEL 3,
CENTRAL OFFICE APPLICATIONS.
- 6 CONNECTOR TESTED AND QUALIFIED AGAINST TELCORDIA GR-1217-CORE QUALITY LEVEL 3,
UNCONTROLLED ENVIROMENT APPLICATIONS.
- 7 CONNECTOR MARKED WITH PART NUMBER AND DATE CODE.
ADDITIONAL CHARACTERS OR MARKINGS, AS WELL AS THE LOCATION OF THE MARKINGS,
MAY BE ADDED FOR TRACEABILITY BASED UPON MANUFACTURERS DISCRETION.
- 8 PLATED-THROUGH HOLES AT 2 x 1.5mm GRID. 200 TOTAL HOLES
- 9 CONNECTOR LUBRICATED WITH BELCORE APPROVED LUBRICANT,
TECHNICAL REFERENCE: TR-NWT-001217 ISSUE 1, SEP 1992.
- 10 OBSOLETE PARTS: OBSOLETE CIS STREAMLINING PER D.RENAUD/D.SINISI
- 11 0.76µm MIN GOLD PLATING ON MATING SURFACES

PLATED THRU HOLES PARAMETERS
 REFERENCE APPLICATION SPECIFICATION

| FINISH | PART NUMBER |
|--------|-------------|
| 2 3 11 | 3-5646728-0 |
| 2 6 9 | 1-5646728-9 |
| 2 5 9 | 5646728-9 |
| 2 4 | 5646728-4 |
| 2 3 | 5646728-1 |



| | | | | |
|--|--|----------------------------|---|--------------------|
| THIS DRAWING IS A CONTROLLED DOCUMENT. | | DIN B CARBO 04AUG05 | Tyco Electronics Corporation Harrisburg, PA 17105-3608 | |
| DIMENSIONS: mm | | CHK G SKIPPER 04AUG05 | NAME RECEPTACLE ASSEMBLY, Z-PACK 2mm HM, TYPE D/E | |
| TOLERANCES UNLESS OTHERWISE SPECIFIED: | | APVD G SKIPPER 04AUG05 | PRODUCT SPEC 108-1622 | |
| 0-PLC ± | | APPLICATION SPEC 114-19029 | | |
| 1-PLC ±0.1 | | SIZE A1 | CAGE CODE 00779 | DRAWING NO 5646728 |
| 2-PLC ±0.05 ±0.2 | | WEIGHT | SCALE 5:1 | SHEET 1 OF 1 |
| 3-PLC ± | | CUSTOMER DRAWING | | |
| 4-PLC ± | | REV D | | |
| ANGLES ± | | | | |
| MATERIAL 1 | | SEE TABLE | | |

单击下面可查看定价，库存，交付和生命周期等信息

[>>TE Connectivity\(泰科\)](#)