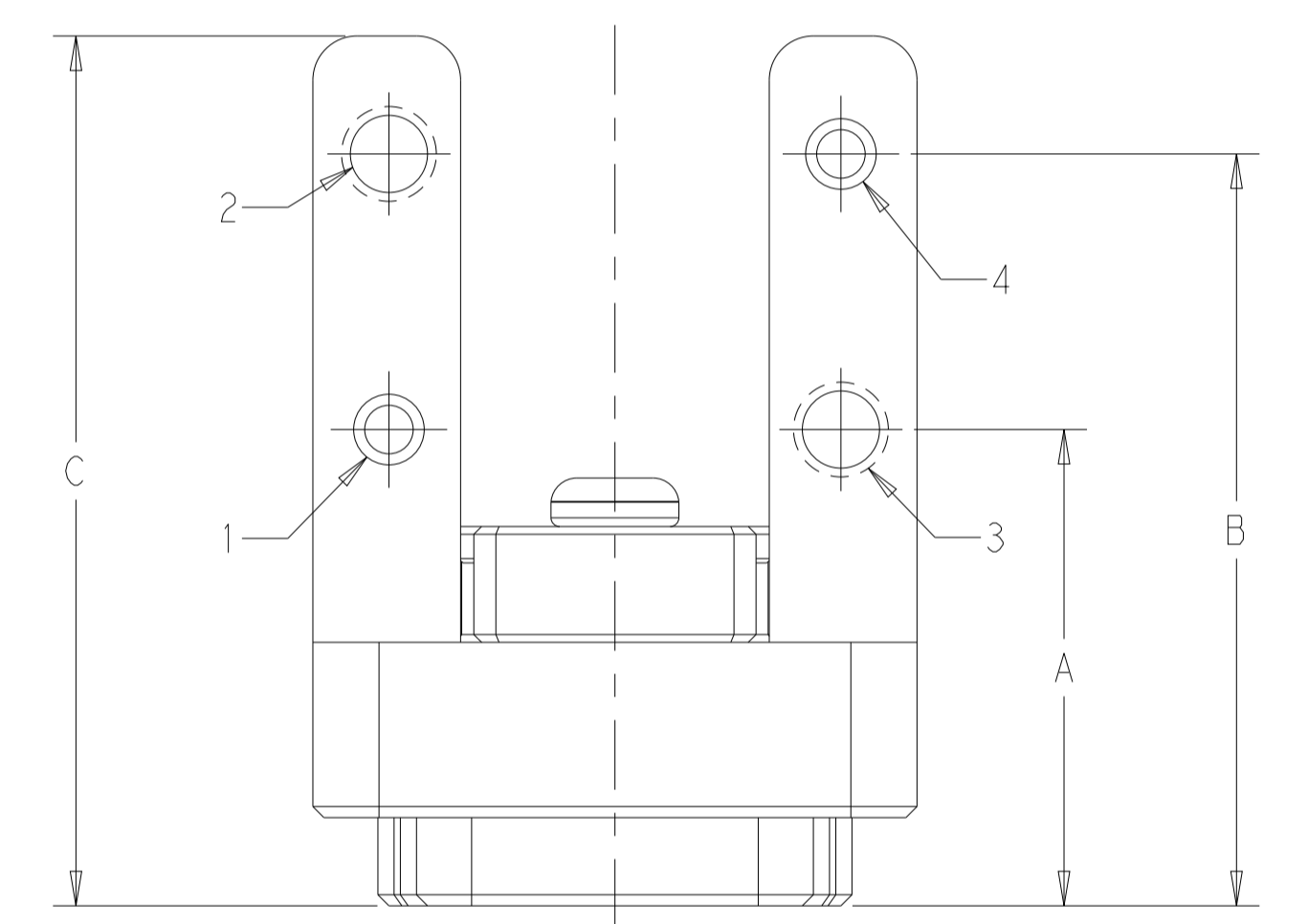
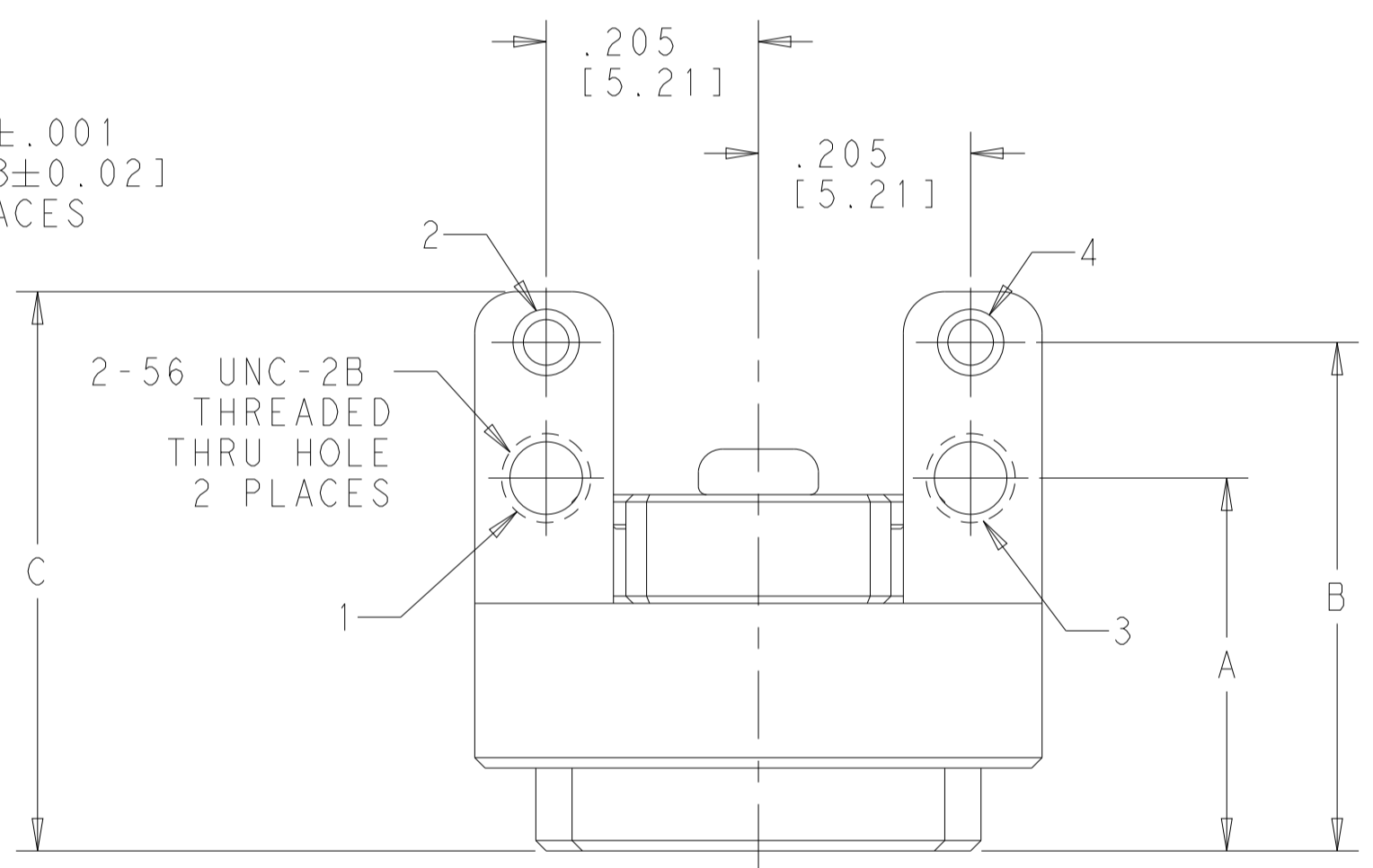
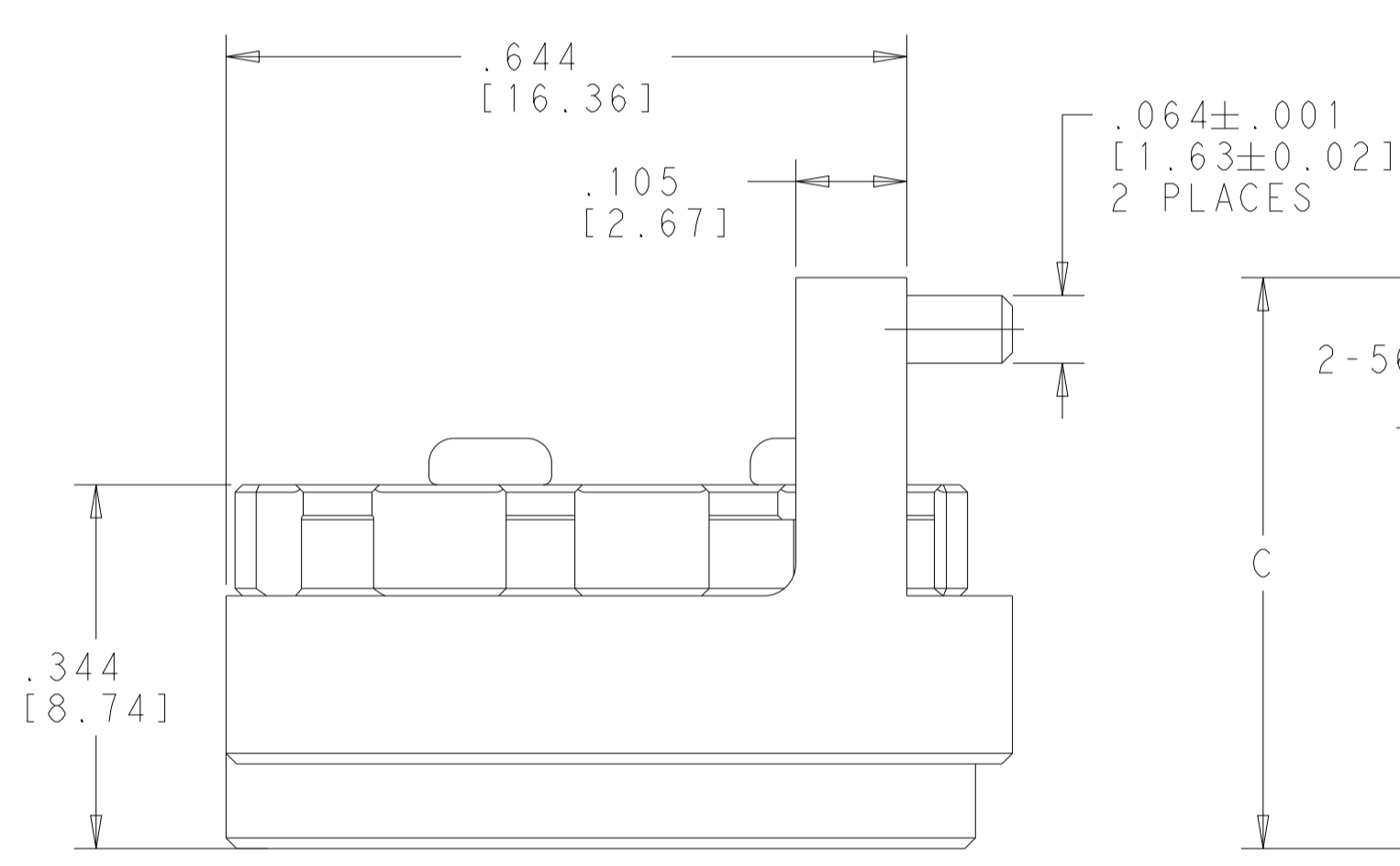
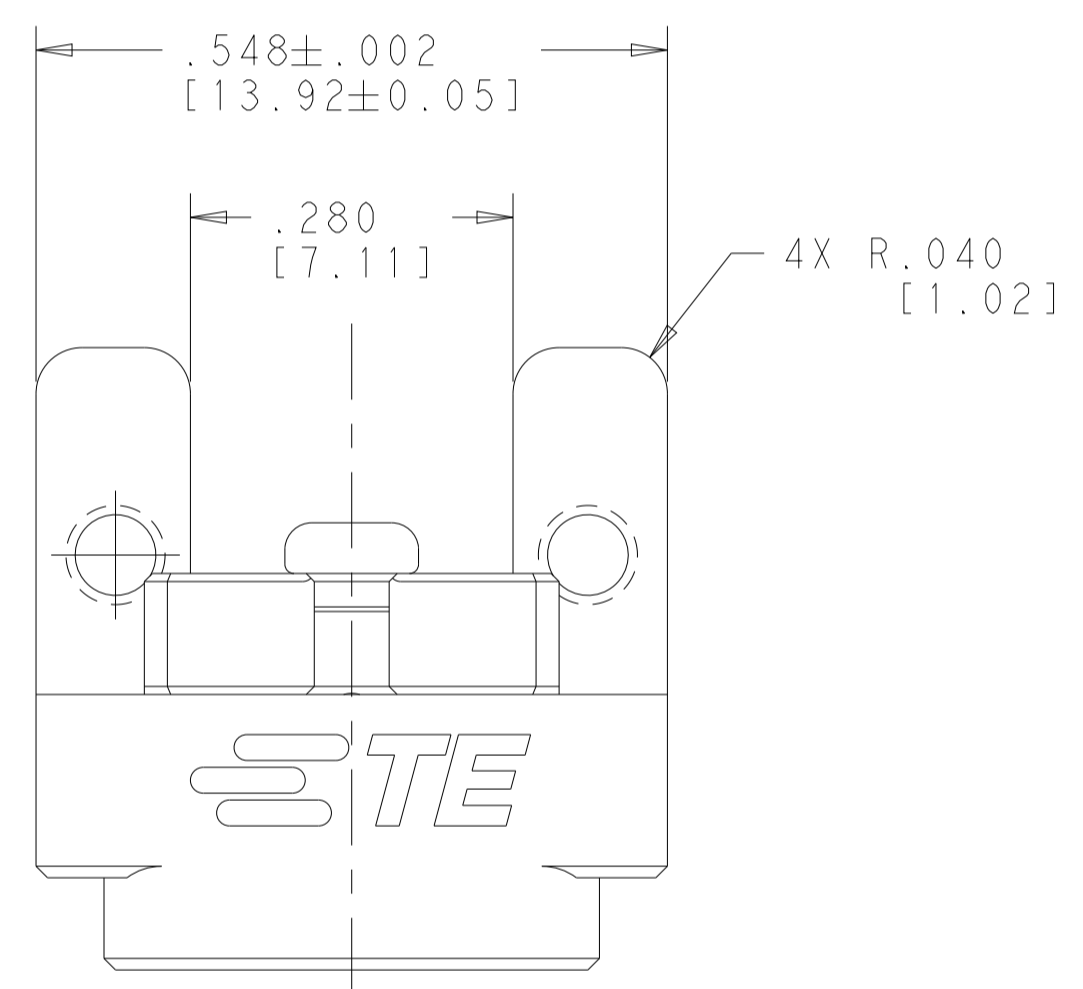
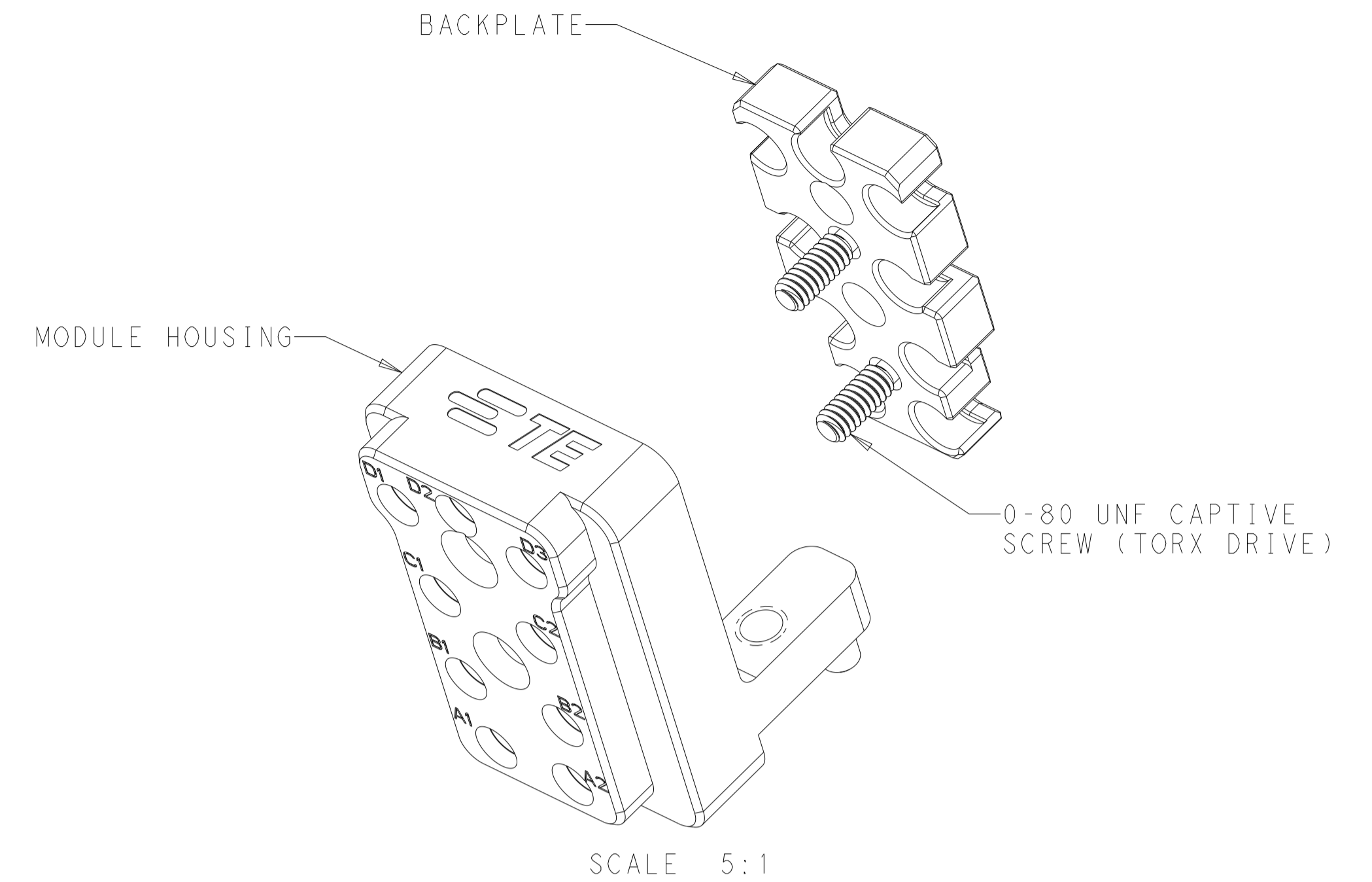
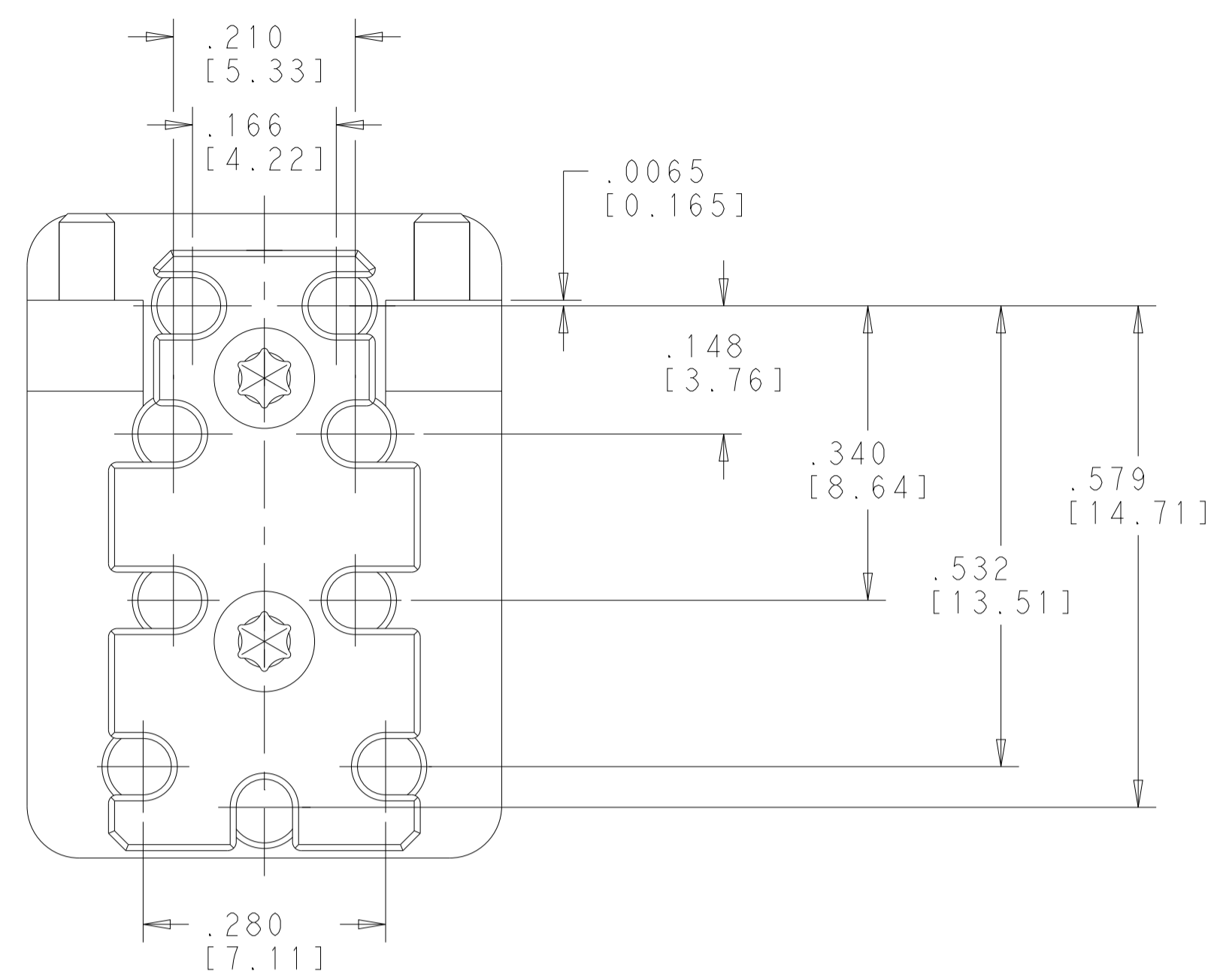
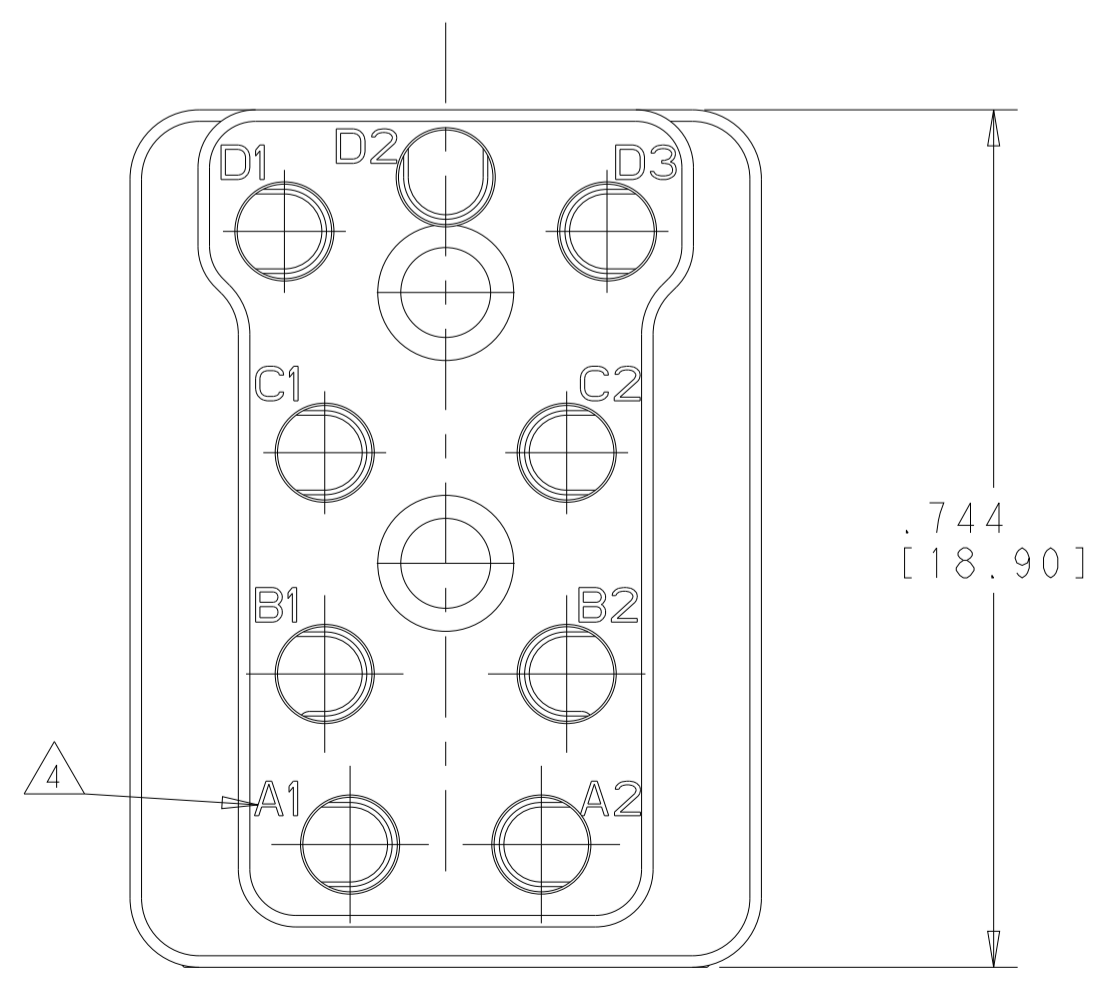


| REVISIONS |     |                            |           |        |
|-----------|-----|----------------------------|-----------|--------|
| P         | LTN | DESCRIPTION                | DATE      | APVD   |
| A         |     | RELEASED PER ECO 20-004476 | 4-2-20    | CT FB  |
| B         |     | REV PER ECO-21-008136      | 21OCT2021 | JAB FB |



2357976-1  
SEE TABLE  
SCALE 6:1

2357976-2  
SEE TABLE  
SCALE 6:1



- △ MATERIAL:  
MODULE HOUSING AND BACKPLATE - ALUMINUM ALLOY  
SCREWS - 300 SERIES STAINLESS STEEL
- △ FINISH:  
MODULE HOUSING AND BACKPLATE - CLEAR CHROMATE CONVERSION COATING  
SCREWS - PASSIVATED
- 3. SHIPPED IN KIT FORM. BACKPLATE SCREWS TO BE ASSEMBLED TO BACKPLATE.
- △ CIRCUIT IDENTIFICATION MARKING
- 5. DESIGNED TO BE USED WITH NanoRF CONTACTS 2302339-1

|          |      |      |                               |   |   |                |           |
|----------|------|------|-------------------------------|---|---|----------------|-----------|
| .432     | .682 | .789 | P                             | H | H | P              | 2357976-2 |
| .360     | .490 | .540 | H                             | P | H | P              | 2357976-1 |
| A        | B    | C    | 1                             | 2 | 3 | 4              |           |
| LOCATION |      |      | SELECTION<br>P=POST<br>H=HOLE |   |   | PART<br>NUMBER |           |

|   |           |
|---|-----------|
| JURISDICTION  | EAR       |
| CLASSIFICATION  | EAR99     |
| DATE OF MARKING   | 21OCT2021 |
| THIS DOCUMENT CONTAINS CONTROLLED TECHNICAL DATA SUBJECT TO THE EXPORT ADMINISTRATION REGULATIONS (EAR). VIOLATIONS OF THESE EXPORT LAWS AND REGULATIONS ARE SUBJECT TO CIVIL AND CRIMINAL PENALTIES. |           |

THIS DRAWING IS A CONTROLLED DOCUMENT. DWN: K. MILLER 08JUL2019  
 CHK: K. DOWHOWER 16AUG2019

APVD: -

NAME: NanoRF MODULE, DAUGHTERCARD, 9 POSITION, .047 CABLE, VITA 67.3

PRODUCT SPEC: 108-163006

APPLICATION SPEC: 408-163016

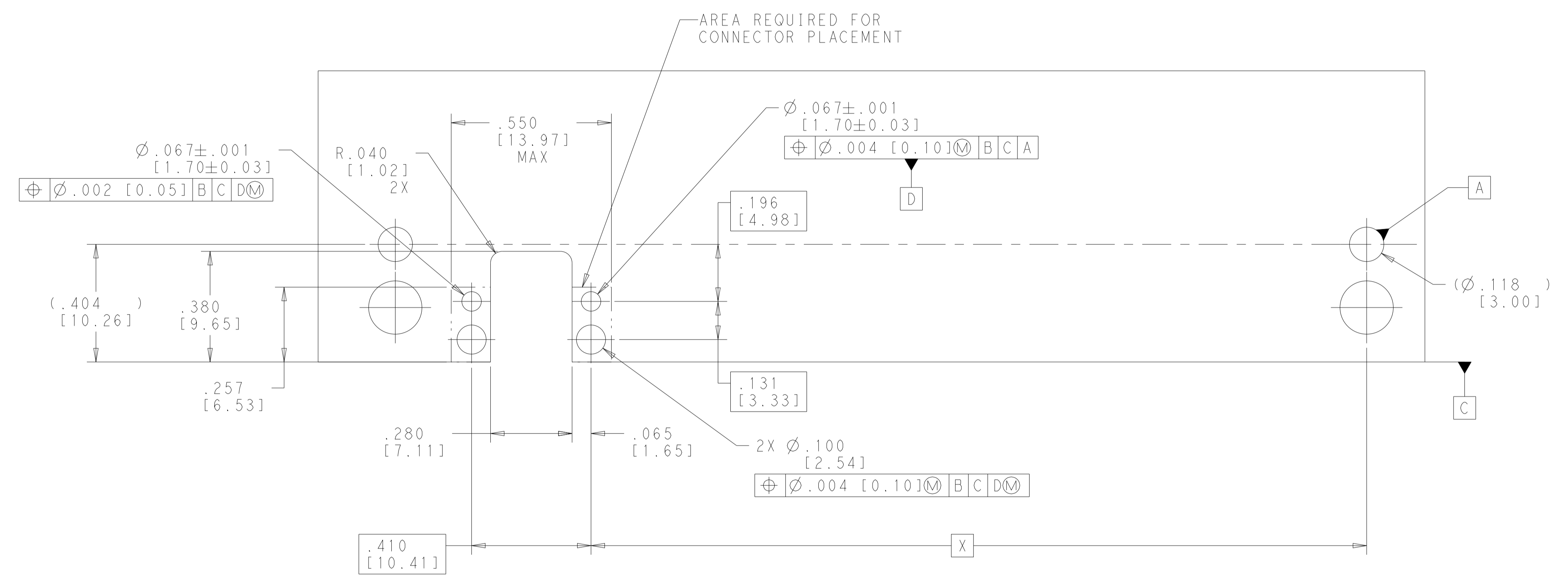
SIZE: A1

SCALE: 6:1

SHEET 1 OF 2

REV B

| REVISIONS |     |             |      |      |
|-----------|-----|-------------|------|------|
| P         | LTN | DESCRIPTION | DATE | APVD |
| -         |     | SEE SHEET 1 | -    | -    |
|           |     |             |      |      |
|           |     |             |      |      |



RECOMMENDED PCB LAYOUT  
(FOR CABLED CONTACTS)

|          |               |
|----------|---------------|
| P2A      | 2.107[53.52]  |
| P2B      | 2.663[67.64]  |
| P3A      | 3.795[96.39]  |
| P3B      | 4.351[110.51] |
| P4A      | 4.929[125.19] |
| P4B      | 5.485[139.31] |
| P5A      | 6.062[153.99] |
| P5B      | 6.618[168.11] |
| P6A      | 7.196[182.79] |
| P6B      | 7.752[196.91] |
| POSITION | DIM "X"       |

|   |           |
|---|-----------|
| JURISDICTION  | EAR       |
| CLASSIFICATION  | EAR99     |
| DATE OF MARKING   | 21OCT2021 |
| THIS DOCUMENT CONTAINS CONTROLLED TECHNICAL DATA SUBJECT TO THE EXPORT ADMINISTRATION REGULATIONS (EAR). VIOLATIONS OF THESE EXPORT LAWS AND REGULATIONS ARE SUBJECT TO CIVIL AND CRIMINAL PENALTIES. |           |

|  |  |                               |           |                              |   |
|--|--|-------------------------------|-----------|------------------------------|---|
| THIS DRAWING IS A CONTROLLED DOCUMENT. |  | OWN<br>K. MILLER<br>16AUG2019 | 08JUL2019 |                              | TE Connectivity   |
| DIMENSIONS:<br>[INCHES(mm)]            |  | CHK<br>K. DOWHOWER            | APVD      |                              | NAME<br>NanoRF MODULE, DAUGHTERCARD,<br>9 POSITION, .047 CABLE, VITA 67.3 |
| TOLERANCES UNLESS OTHERWISE SPECIFIED: |  | PRODUCT SPEC                  |           | RESTRICTED TO                |   |
| 0 PLC ±                                |  | 108-163006                    |           | SIZE CAGE CODE DRAWING NO    |   |
| 1 PLC ±                                |  | APPLICATION SPEC              |           | A100779C=2357976             |   |
| 2 PLC ±                                |  | 408-163016                    |           | SCALE 6:1 SHEET 2 OF 2 REV B |   |
| 3 PLC ±                                |  | WEIGHT                        |           |                              |   |
| 4 PLC ±                                |  | CUSTOMER DRAWING              |           |                              |   |
| ANGLES ±                               |  |                               |           |                              |   |
| FINISH                                 |  |                               |           |                              |   |

单击下面可查看定价，库存，交付和生命周期等信息

[>>TE Connectivity\(泰科\)](#)