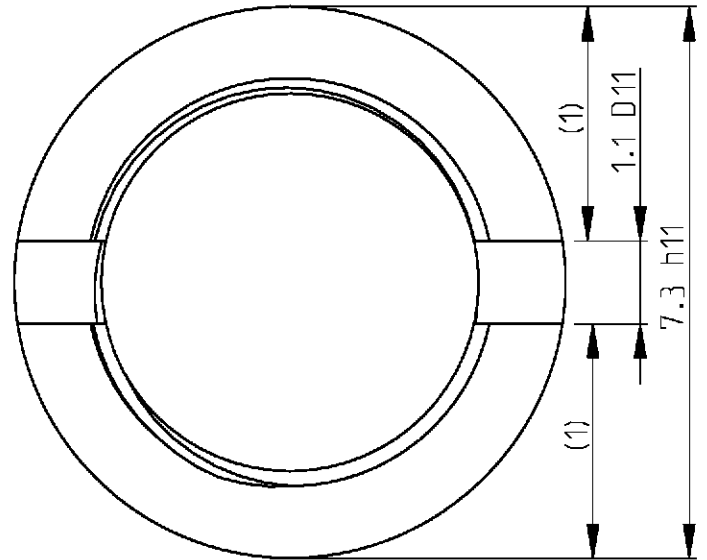
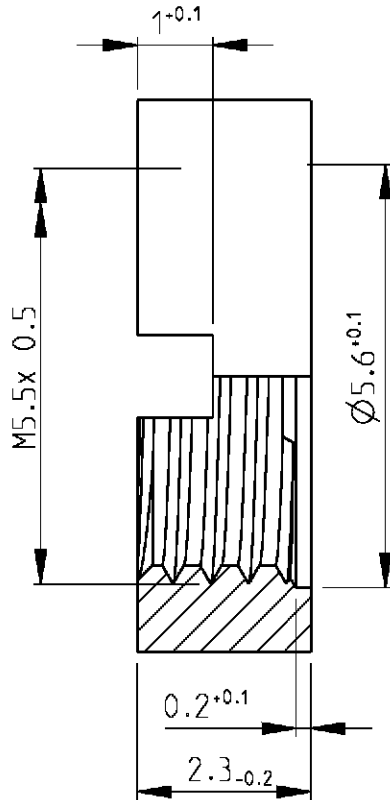
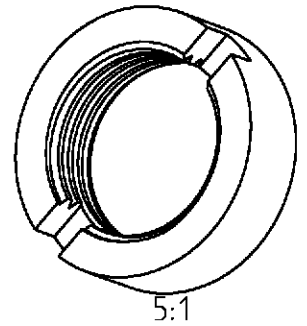


LOC	DIST	REVISIONS				
P	LTR	DESCRIPTION	DATE	DWN	APVD	
GW	-	A	-	18APR2001	BL KM	



1:1



Cross reference table		
Old part number	Tyco part number	Plating
C42334-A285-C7	1-1393562-7	Ni

2000
RELEASED FOR PUBLICATION

THIS DRAWING IS UNPUBLISHED.
COPYRIGHT 2000 BY TYCO ELECTRONICS CORPORATION. ALL RIGHTS RESERVED.

DIMENSIONS: mm	DWN B. Lenvain	18APR2001	MATERIAL	-	FINISH	-
	CHK K. Mattheeuws	-	Tyco Electronics Oostkamp - Belgium			
TOLERANCES UNLESS OTHERWISE SPECIFIED:	APVD R. Leeman	-				
0 PLC ±	PRODUCT SPEC	-	DRAWING NO			RESTRICTED TO
1 PLC ±	APPLICATION SPEC	-	SIZE	CAGE CODE	DRAWING NO	
2 PLC ±	WEIGHT	-	A 4	00779	C=1-1393562-7	
3 PLC ±	CUSTOMER DRAWING	-	SCALE		SHEET	REV
4 PLC ±			5/1		1 OF 1	A
ANGLES ±						

单击下面可查看定价，库存，交付和生命周期等信息

[>>TE Connectivity\(泰科\)](#)