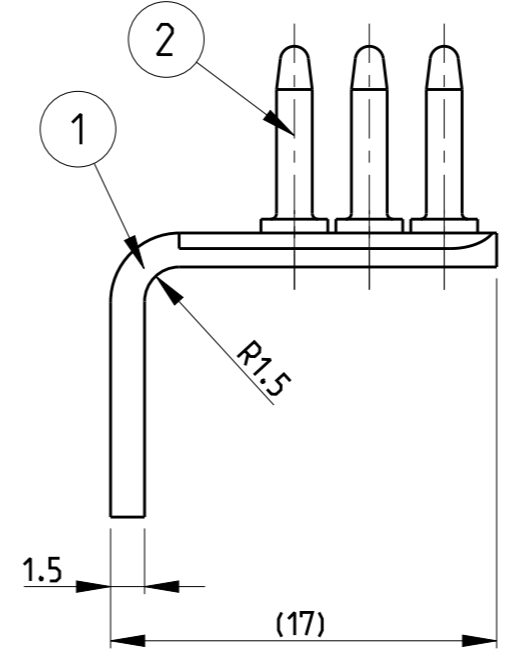
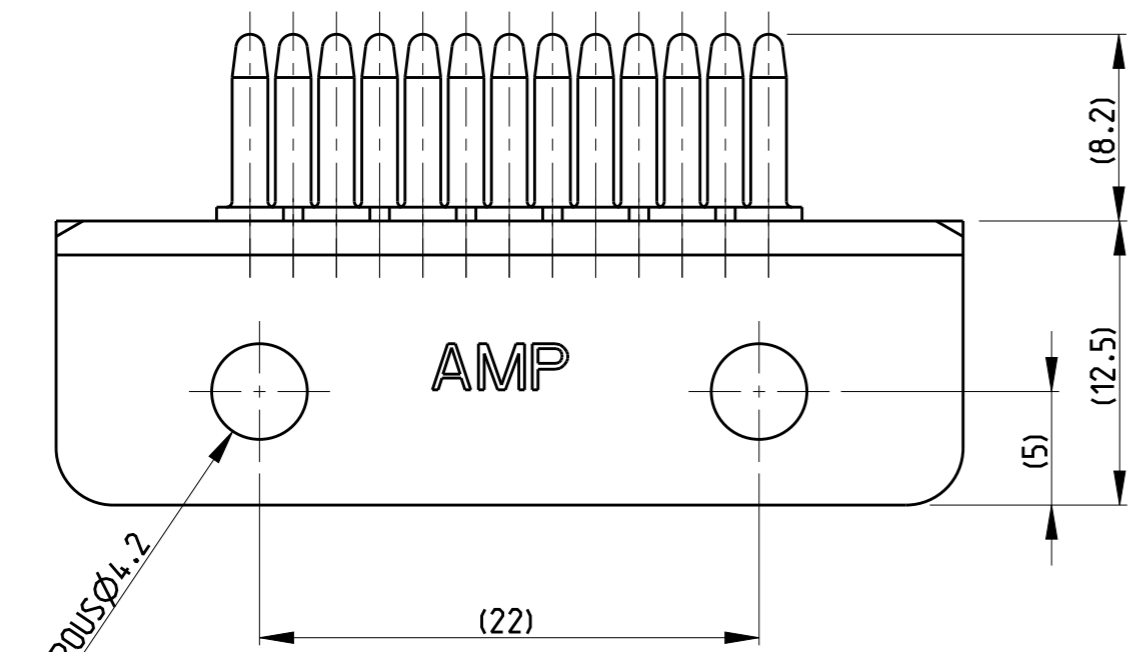
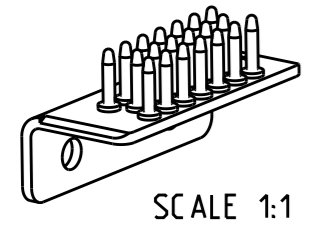
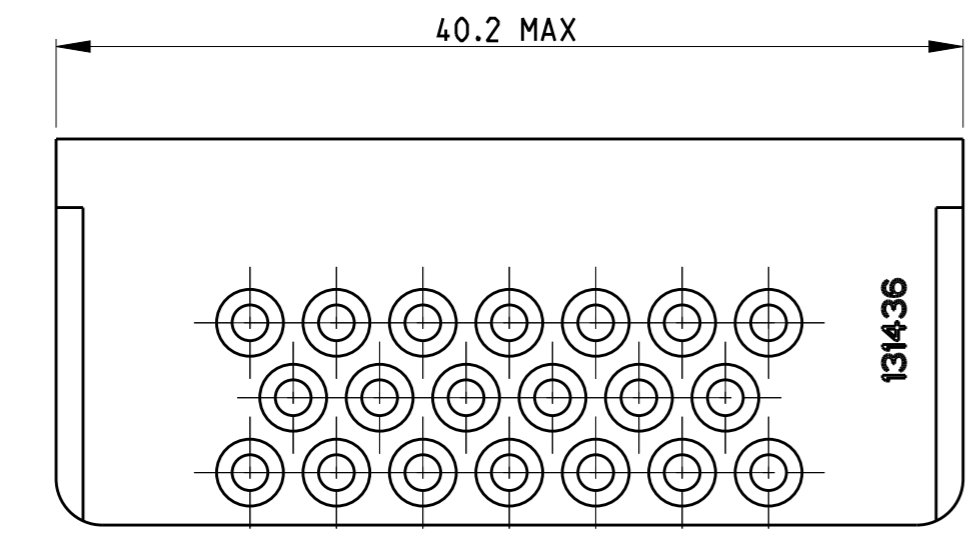


THIS DRAWING IS UNPUBLISHED. RELEASED FOR PUBLICATION 20
 © COPYRIGHT 20 BY - ALL RIGHTS RESERVED.

LOC	DIST	REVISIONS				
P	LTR	DESCRIPTION	DATE	DWN	APVD	
F	00	A	REDRAW CLARIFICATION	18JUN2013	JT	YP
		B	ADDED NOTE 1	22MAR2019	LN	YP



- 1. MATES TO 131435-3, 130733-2, 130733-4.
- 2 0.8 µm MIN AU OVER NICKEL
- 3 4 µm MIN Sn. OVER Cu UNDERLAYER



FINISH	MATERIAL	QTY	PART DESCRIPTION	ITEM
2	BRASS	20	PIN	2
3	BRASS	1	BRACKET	1

131436
PART NUMBER

THIS DRAWING IS A CONTROLLED DOCUMENT.		DWN	28JUL1963		STE TE Connectivity
DIMENSIONS: mm		CHK	06MARS2013		
TOLERANCES UNLESS OTHERWISE SPECIFIED:		APVD	06MARS2013		
0 PLC ± 1 PLC ± 2 PLC ±0.13 3 PLC ±0.013 4 PLC ± ANGLES ±0°30'		PRODUCT SPEC	NAME		
MATERIAL TABLE		FINISH	TABLE		BRACKET GROUNDING 20 PINS ASSY
		WEIGHT	16.8g		SIZE
		Customer Drawing		SCALE	3:1
				SHEET	1 OF 1
				REV	B
				DRAWING NO	C-131436
				RESTRICTED TO	-

单击下面可查看定价，库存，交付和生命周期等信息

[>>TE Connectivity\(泰科\)](#)