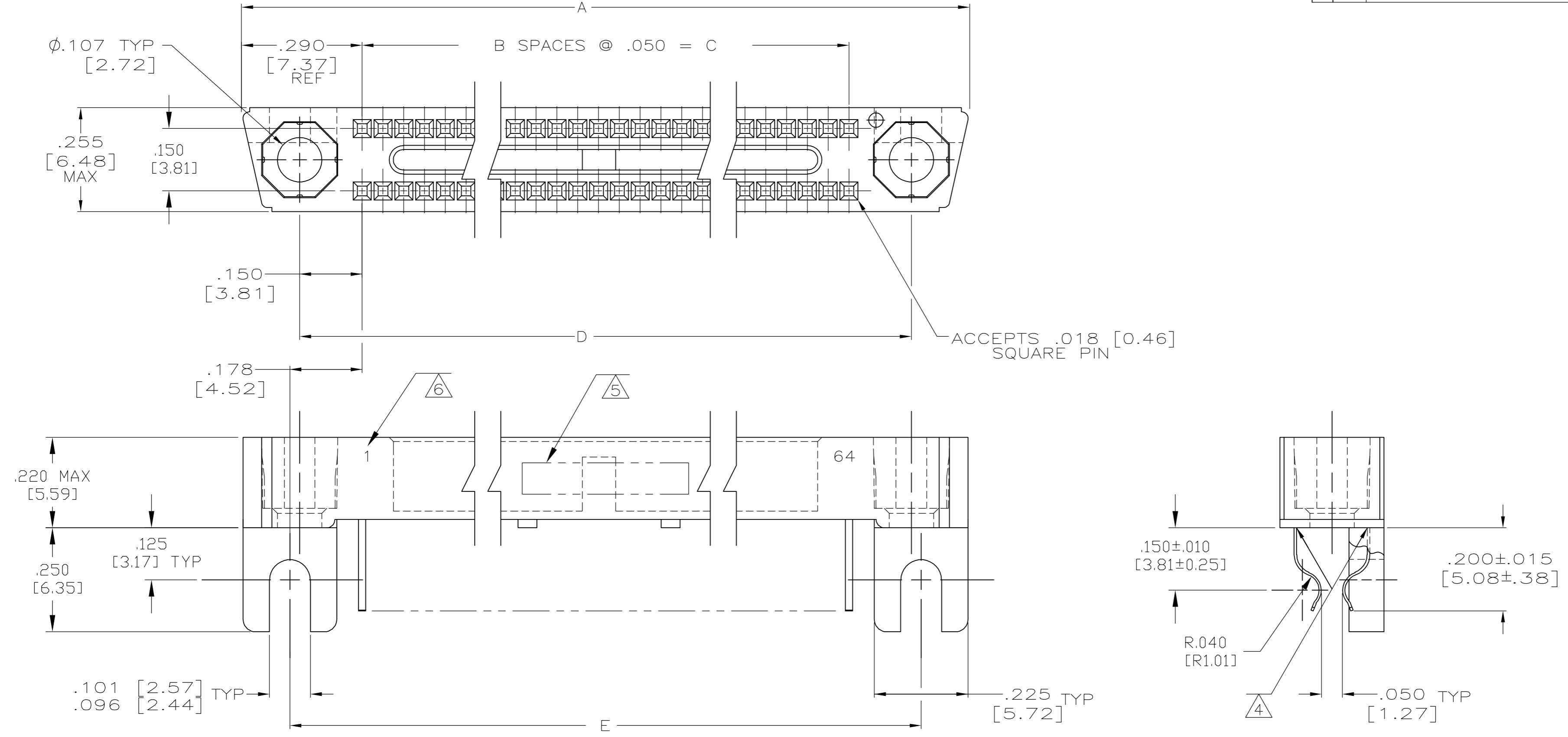


THIS DRAWING IS UNPUBLISHED. RELEASED FOR PUBLICATION - N/A .
 © COPYRIGHT N/A BY TYCO ELECTRONICS CORPORATION. ALL RIGHTS RESERVED.

LOC		DIST		REVISIONS			
P	LTR	DESCRIPTION		DATE	DWN	APVD	
	H	REV PER ECO 06-22072		10-17-06	CT	DM	



- ① HOUSING MATERIAL: LIQUID CRYSTAL POLYMER PER MIL-M-24519, GLCP-30F; COLOR: GRAY.
- ② CONTACT MATERIAL: BERYLLIUM COPPER.
- ③ CONTACT FINISH: .000050 GOLD IN CONTACT AREA, GOLD FLASH OVER REMAINDER OF CONTACT. BOTH OVER NICKEL.
- ④ THIN BEAD OF EPOXY ADDED FOR CONTACT RETENTION.
- ⑤ AMP, PART NO. & DATE CODE MARKED THIS APPROXIMATE AREA.
- ⑥ NUMBERS OF END POSITIONS MARKED ONE SIDE ONLY (SEE TABLE).
- ⑦ MUST MEET ALL APPLICABLE REQUIREMENTS OF MIL-C-55302.
- ⑧ GROUP A, B & C TESTING REQUIRED PER MIL-DTL-55302.
- ⑨ PRELIMINARY- NOT RELEASED FOR PRODUCTION

REMARKS	CONTACT IDENT NUMBERS	E	D	C	B	A	NUMBER OF CONTACTS	PART NUMBER
⑧	1 - 15	1.055 [26.80]	1.000 [25.40]	.700 [17.78]	14	1.290 [32.77]	30	1-445185-2
-	1 - 10	.805 [20.45]	.750 [19.05]	.450 [11.43]	9	1.040 [26.42]	20	1-445185-1
-	1 - 15	1.055 [26.80]	1.000 [25.40]	.700 [17.78]	14	1.290 [32.77]	30	1-445185-0
-	1 - 20	1.305 [33.15]	1.250 [31.75]	.950 [24.13]	19	1.540 [39.12]	40	445185-9
-	1 - 25	1.555 [39.50]	1.500 [38.10]	1.200 [30.48]	24	1.790 [45.47]	50	445185-8
-	1 - 30	1.805 [45.85]	1.750 [44.45]	1.450 [36.83]	29	2.040 [51.82]	60	445185-7
-	1 - 35	2.055 [52.20]	2.000 [50.80]	1.700 [43.18]	34	2.290 [58.17]	70	445185-6
-	1 - 40	2.305 [58.55]	2.250 [57.15]	1.950 [49.53]	39	2.540 [64.52]	80	445185-5
-	1 - 45	2.555 [64.90]	2.500 [63.50]	2.200 [55.88]	44	2.790 [70.87]	90	445185-4
-	1 - 50	2.805 [71.25]	2.750 [69.85]	2.450 [62.23]	49	3.040 [77.22]	100	445185-3
-	1 - 55	3.055 [77.60]	3.000 [76.20]	2.700 [68.58]	54	3.290 [83.57]	110	445185-2
-	1 - 64	3.505 [89.02]	3.450 [87.63]	3.150 [80.01]	63	3.740 [95.00]	128	445185-1

THIS DRAWING IS A CONTROLLED DOCUMENT.

DIMENSIONS: INCHES	TOLERANCES UNLESS OTHERWISE SPECIFIED:	DWN C.C.THOMAS 10-17-06	AMP Tyco Electronics Corporation Harrisburg, PA 17105-3608
	0 PLC ± -	CHK D.MILLER 10-17-06	
	1 PLC ± -	APVD D.MILLER 10-17-06	
	2 PLC ± -	PRODUCT SPEC	
MATERIAL	FINISH	APPLICATION SPEC	NAME RECEPTACLE ASSY, MINI-BOX WITH LOW FORCE CONTACTS, CARD EXTENDER WITH MOUNTING EARS SIZE A2 CAGE CODE 00779 DRAWING NO C=445185 RESTRICTED TO - WEIGHT - SCALE 5:1 SHEET 1 of 1 REV H

CUSTOMER DRAWING

单击下面可查看定价，库存，交付和生命周期等信息

[>>TE Connectivity\(泰科\)](#)