

4

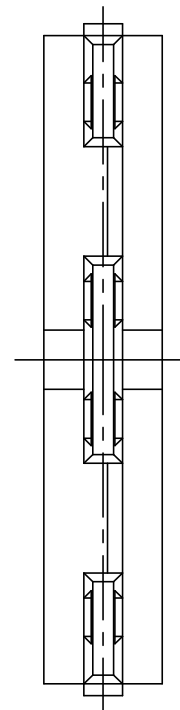
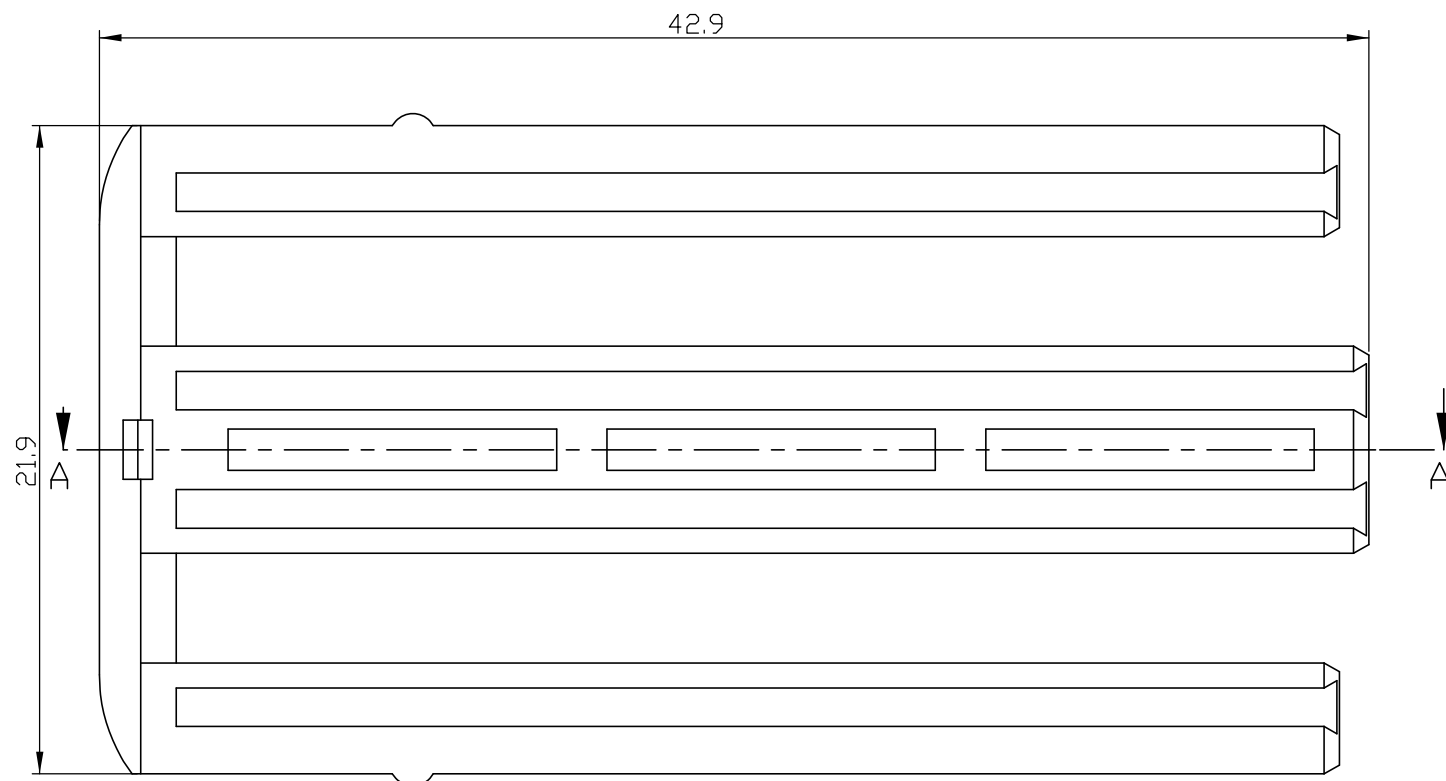
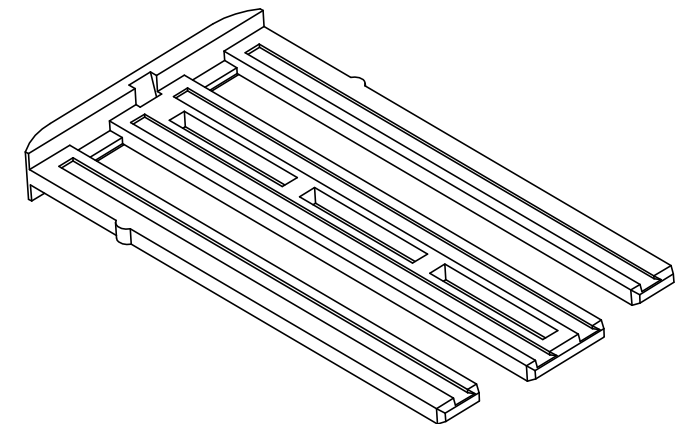
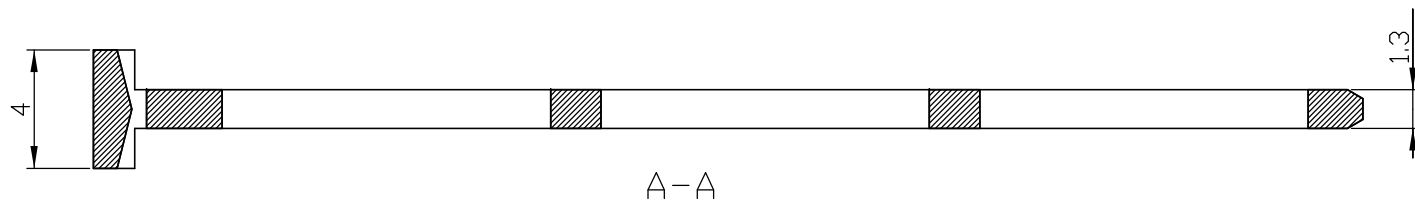
3

2

1

THIS DRAWING IS UNPUBLISHED. RELEASED FOR PUBLICATION
© COPYRIGHT BY TYCO ELECTRONICS CORPORATION. ALL RIGHTS RESERVED.

LOC	DIST	REVISIONS					
		P	LTR	DESCRIPTION	DATE	DWN	APVD
DS	-		A	RELEASED	07.FEB'11	YH	HG



NOTE.

- 1.MATING CONN'R ASSY P/N: 2005210
- 2.APPLICATION TEST SPEC: MS210-12[EXT-2](EXCEPT 4.4)

WINE RED /RAL3005	PA66-GF30	RETAINER HSG	2005215-6
COLOR	MATERIAL	DESCRIPTION	P/N

THIS DRAWING IS A CONTROLLED DOCUMENT FOR TYCO ELECTRONICS CORPORATION IT IS SUBJECT TO CHANGE AND THE CONTROLLING ENGINEERING ORGANIZATION SHOULD BE CONTACTED FOR THE LATEST REVISION.		DWN YH MA				AMP KOREA kyungsan, korea	
DIMENSIONS: MM		CHK KT LIM				NAME	
TOLERANCES UNLESS OTHERWISE SPECIFIED:		APVD HG CHD		MQS RETAINER HSG FOR TCU 68P PLUG ASS'Y			
0 PLC ± 1 PLC ± 2 PLC ± 3 PLC ± 4 PLC ± ANGLES ±		PRODUCT SPEC					
3rd ANGLE PROJECTION		APPLICATION SPEC		SIZE	CAGE CODE	DRAWING NO	RESTRICTED TO
MATERIAL		WEIGHT		A3	00779	©- 2005215	
FINISH		CUSTOMER DRAWING		SCALE	4:1	SHEET	1 OF 1
						REV A	

单击下面可查看定价，库存，交付和生命周期等信息

[>>TE Connectivity\(泰科\)](#)