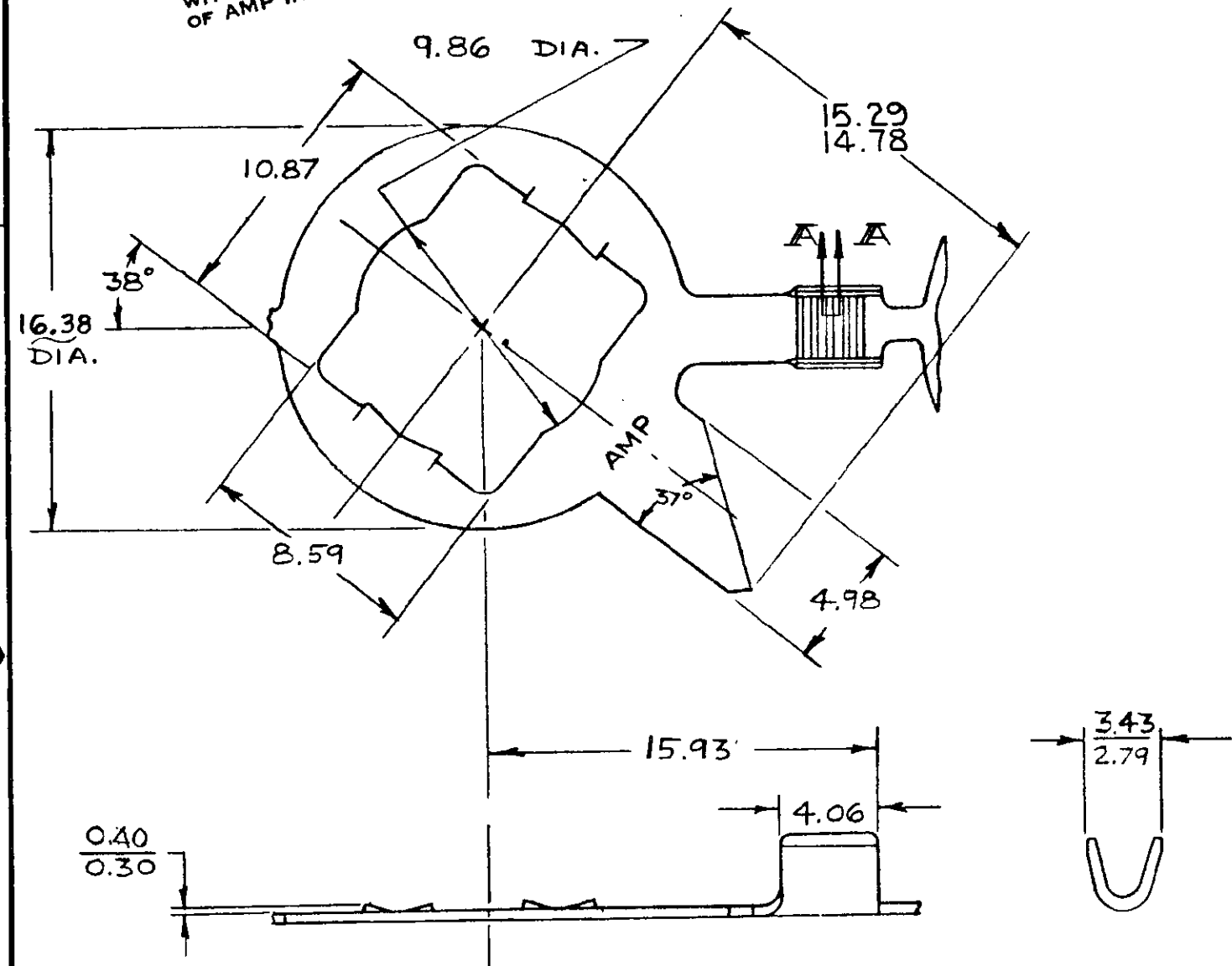



© COPYRIGHT 1977 BY AMP INCORPORATED, HARRISBURG, PA.  
 ALL INTERNATIONAL RIGHTS RESERVED. AMP INCORPORATED PRODUCTS  
 COVERED BY U. S. AND FOREIGN PATENTS AND/OR PATENTS PENDING.  
 UNPUBLISHED NOR REPRODUCED NOR REPRODUCED NOR REPRODUCED  
 WITHOUT WRITTEN PERMISSION OF AMP INCORPORATED.

| REVISIONS |   |      |     |                            |           |          |
|-----------|---|------|-----|----------------------------|-----------|----------|
| P         | F | ZONE | LTR | DESCRIPTION                | DATE      | APPROVED |
| ✓         |   |      | F   | REV PER ECN CM 85          | 1/24/85   | TB/RS    |
| ✓         |   |      | F1  | RESTORATION                | 2/23/85   | 10/SJ    |
| ✓         |   |      | G   | OBSOLETE -2 PER ECN CM 473 | 2-18-86   | CM/RS    |
| ✓         |   |      | H   | REVISED PER CM-2457        | 7-31-89   | MC RS    |
| ✓         |   |      | J   | REV PER 0710-0427-95       | 26/SEP/95 | PWF      |



**METRIC**

|   |  |   |                        |
|---|--|---|------------------------|
| NONE  |  | 20-16 AWG MAGNET  | 505072-1               |
| FINISH  |  | WIRE RANGE  | PART NO                |
| UNLESS OTHERWISE SPECIFIED DIMENSIONS ARE IN <del>INCHES</del> mm |  |  AMP INCORPORATED<br>Harrisburg, Pa. |                        |
| CONTRACT NO<br>10-13-77   |  | NAME<br>TERMINAL,   |                        |
| DR<br>D.A. SALTZER  |  | STUD RETAINING RING, AMPLIVAR   |                        |
| CHK<br>D.S. Heide 10/20/77  |  | DRAWING NO<br>505072  |                        |
| MATERIAL<br>0.50 BRASS  |  | SIZE<br>B   | CODE IDENT NO<br>00779 |
| FINISH<br>SEE TABLE   |  | SCALE<br>4:1  | SHEET<br>#             |
| APPD<br>D.A. Saltzer 10/24/77                                     |  | DRAWING NO<br>505072  |                        |
| APPD  |  | DRAWING NO<br>505072  |                        |
| DSGN APPD   |  | DRAWING NO<br>505072  |                        |
| OTHER APPD  |  | DRAWING NO<br>505072  |                        |

单击下面可查看定价，库存，交付和生命周期等信息

[>>TE Connectivity\(泰科\)](#)