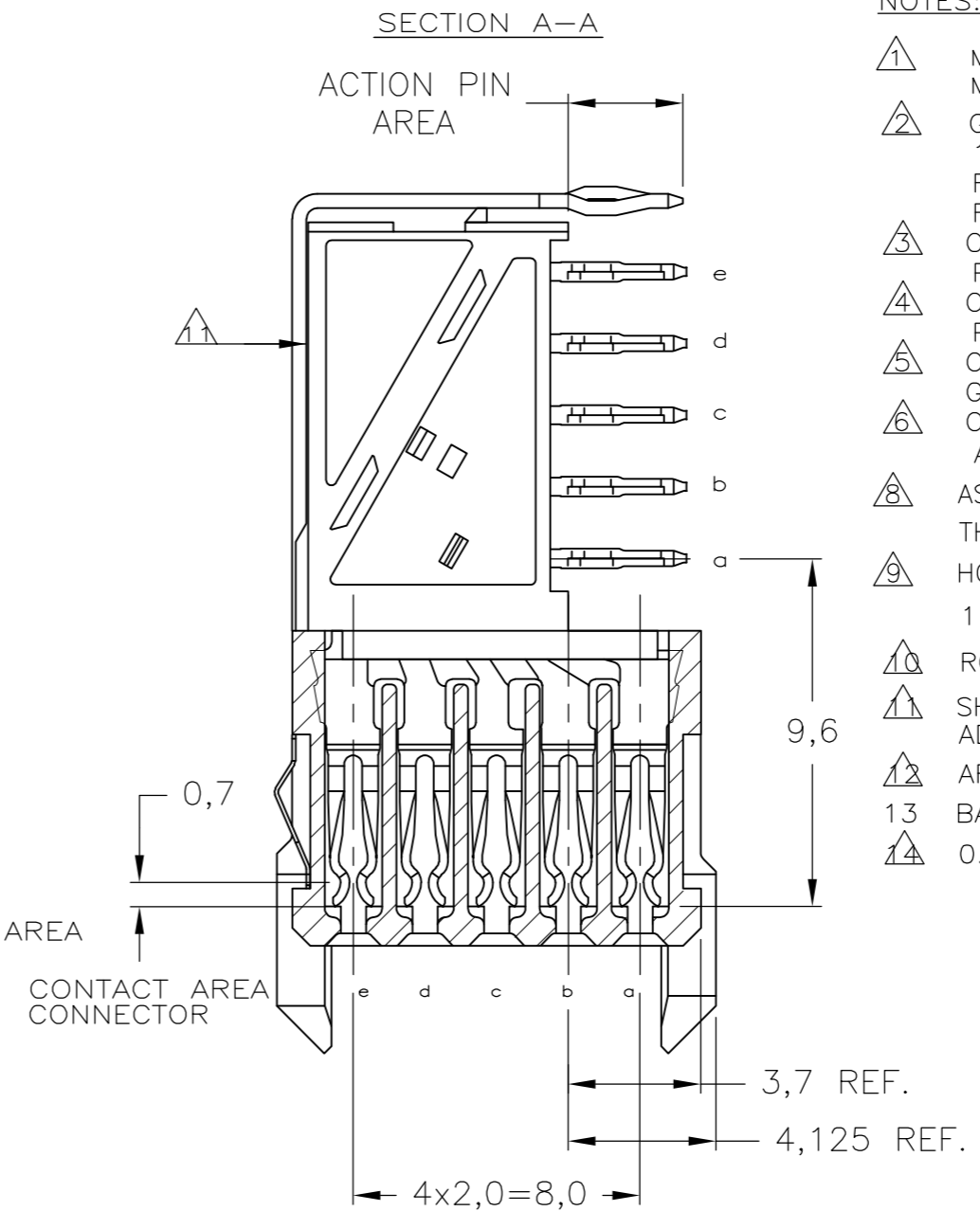
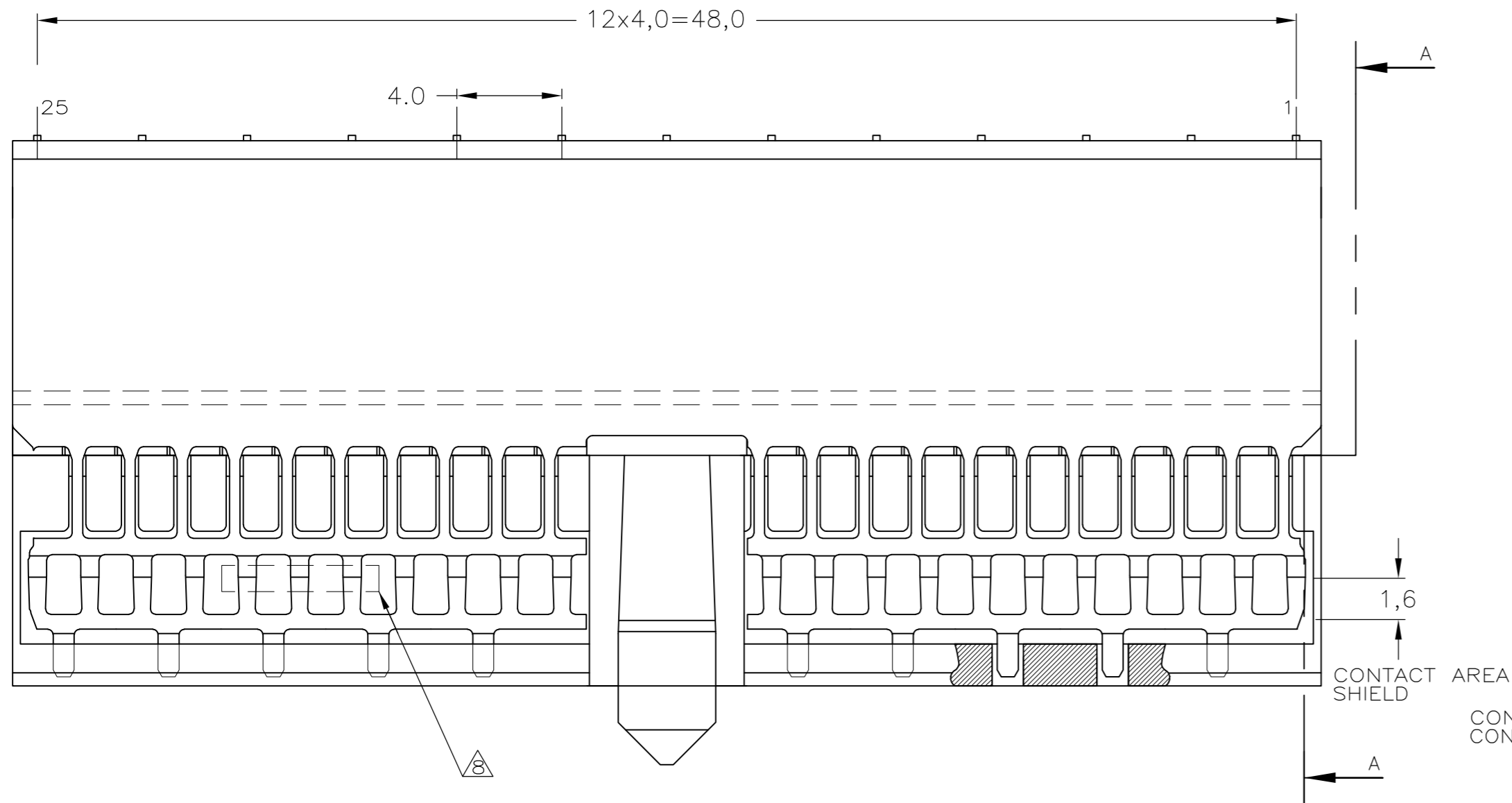


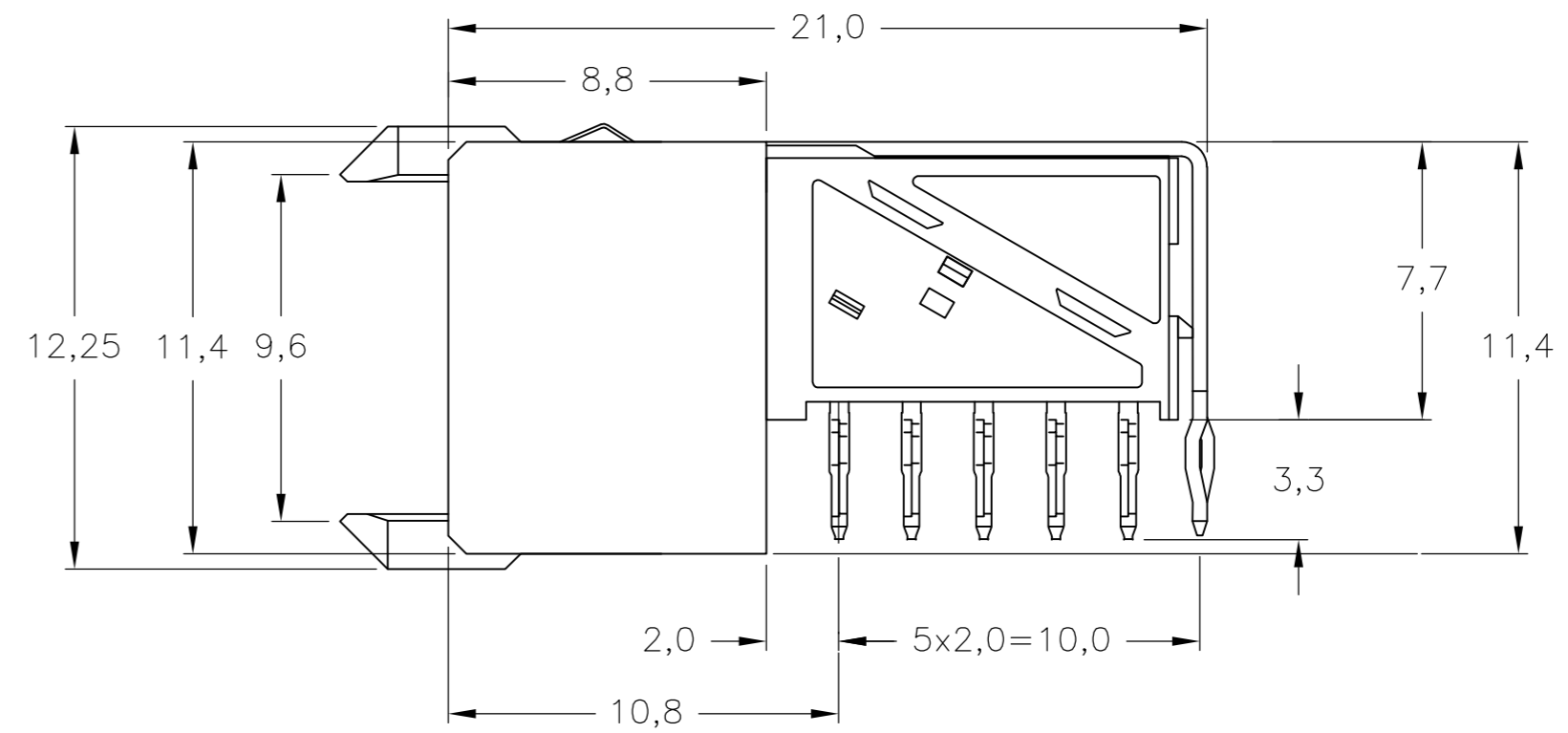
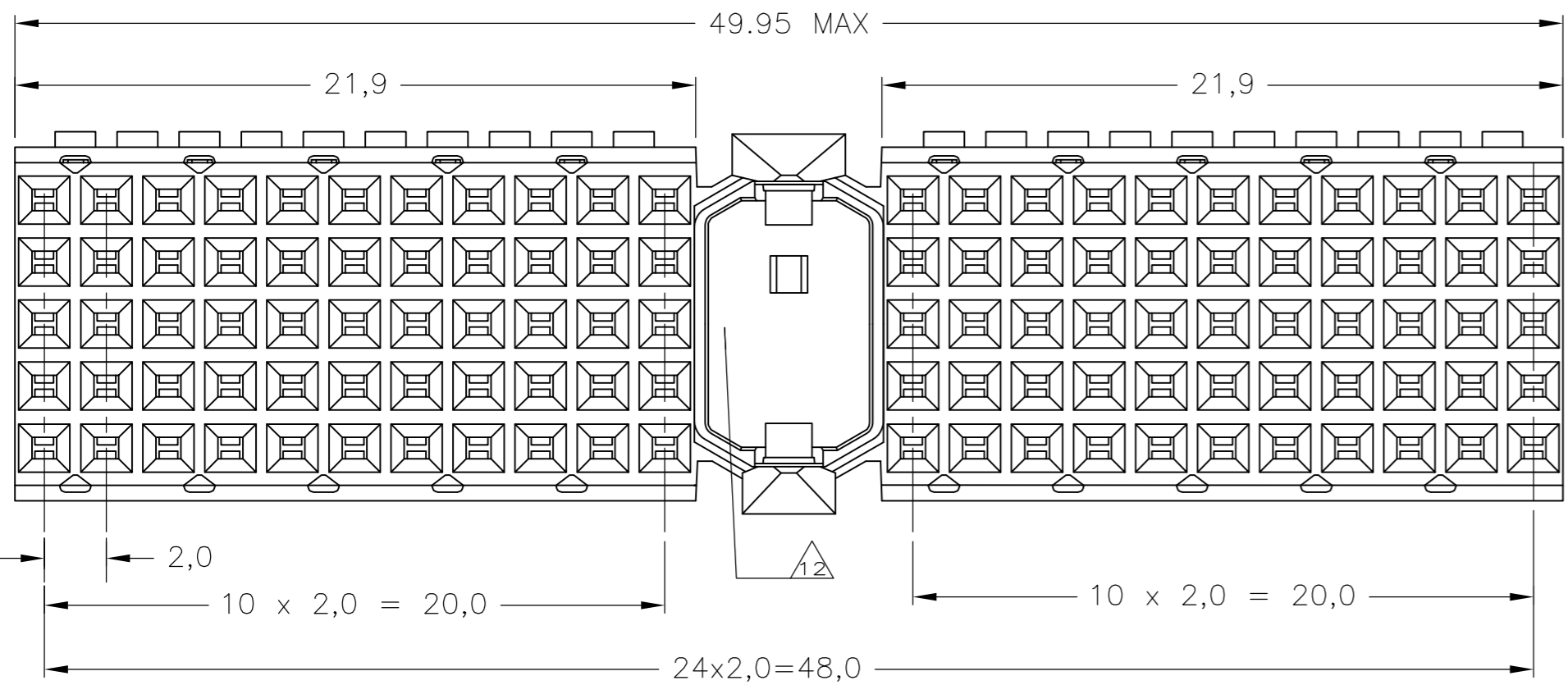
THIS DRAWING IS UNPUBLISHED. RELEASED FOR PUBLICATION
 © COPYRIGHT - By - ALL RIGHTS RESERVED.

| LOC | | DIST | | REVISIONS | | | |
|-----|-----|---------------------------|--|-----------|-----|------|--|
| P | LTR | DESCRIPTION | | DATE | DWN | APVD | |
| F | | REVISED PER ECO-13-014710 | | 08NOV2013 | SY | FY | |

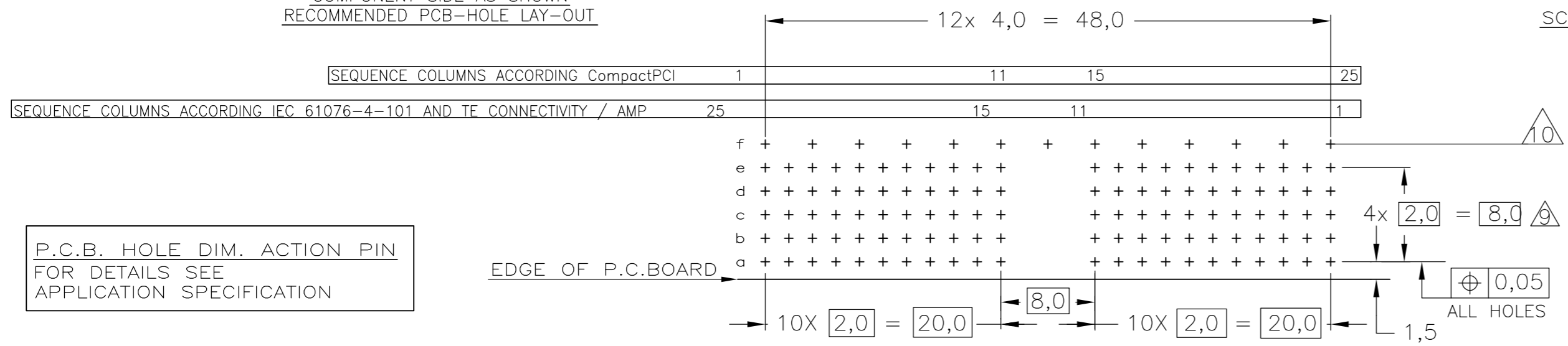


NOTES:

- △ MATERIAL CONTACTS; PHOSPHORBRONZE
- △ MATERIAL HOUSING; GLASSFILLED POLYESTER (GRAY)
- △ GENERAL PLATING SPECIFICATION: UNDERPLATING (ENTIRE CONTACT): 1,27µm NICKEL MIN. AND ACTION PIN: 0,5µm TIN MIN. FOR PLATING OF MATING SURFACES SEE APPLICABLE SPECIFICATION REFERENCE FOR EACH DASH NUMBER.
- △ CONFORMS TO ALL TESTING ACCORDING IEC 61076-4-101 PERFORMANCE LEVEL 2.
- △ CONFORMS TO ALL TESTING ACCORDING IEC 61076-4-101 PERFORMANCE LEVEL 1.
- △ CONNECTOR TESTED AND QUALIFIED AGAINST TELCORDIA GR-1217-CORE QUALITY LEVEL III, CENTRAL OFFICE APPLICATIONS. CONNECTOR LUBRICATED WITH TELCORDIAGR-1217-CORE APPROVED LUBRICANT.
- △ ASSEMBLY PRINTED WITH P/N AND DATECODE
- △ THE MARKING CAN APPEAR ON THE FRONT SIDE OR BACK SIDE.
- △ HOLE PATTERN FOR FEMALE CONNECTOR TYPE A
- △ 110 PLATED-THROUGH HOLES AT 2x2mm SQUARE GRID
- △ ROW "f" 13 PLATED THROUGH HOLES FOR UPBERSHIELD
- △ SHIELD MOUNTED ON CONNECTOR WITH DOUBLE SIDED ADHESIVE TAPE OR ADHESIVE
- △ AREA RESERVED FOR KEYING PART (BASIC P.N. 100526)
- △ 13 BASIC P.N. LOWERSHIELD: 5338108
- △ 0.76µm MIN GOLD PLATING AT MATING SURFACE



COMPONENT SIDE AS SHOWN
 RECOMMENDED PCB-HOLE LAY-OUT



P.C.B. HOLE DIM. ACTION PIN
 FOR DETAILS SEE
 APPLICATION SPECIFICATION

SCALE 2,5:1

| | | |
|--------|----------|-------------|
| △△△ | △ | 3-5352068-0 |
| △△△ | △ | 5352068-9 |
| △△ | △ | 5352068-4 |
| △△ | △ | 5352068-1 |
| FINISH | MATERIAL | PART NUMBER |

| | | | | |
|--|--|-------------------------|-------------------------|-----------------|
| THIS DRAWING IS A CONTROLLED DOCUMENT. | | DWN K.N.KIRAN 18AUG2004 | | |
| DIMENSIONS: mm | | CHK B.MOOIJ 24SEP2004 | | |
| TOLERANCES UNLESS OTHERWISE SPECIFIED: | | APVD B.MOOIJ 24SEP2004 | NAME | |
| 6-PLC ± | | PRODUCT SPEC | Z-PACK 2mm HM | |
| 1-PLC ± | | APPLICATION SPEC | TYPE A - 25 COLUMNS | |
| 2-PLC ± ±0.2 | | 108-19082 | PRE-SHIELDED RECEPTACLE | |
| 3-PLC ± | | 114-19029 | SIZE A2 | CAGE CODE 00779 |
| 4-PLC ± | | WEIGHT - | DRAWING NO C=5352068 | RESTRICTED TO - |
| ANGLES ± | | CUSTOMER DRAWING | SCALE 5:1 | SHEET 1 OF 1 |
| FINISH | | | REV F | |

单击下面可查看定价，库存，交付和生命周期等信息

[>>TE Connectivity\(泰科\)](#)