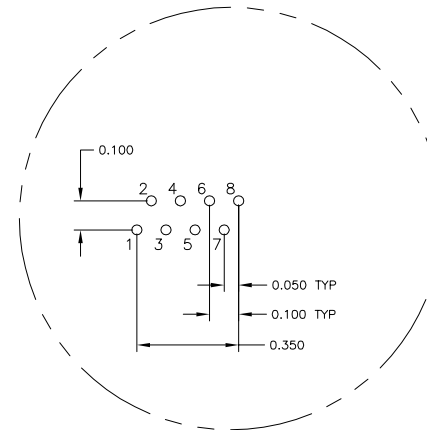
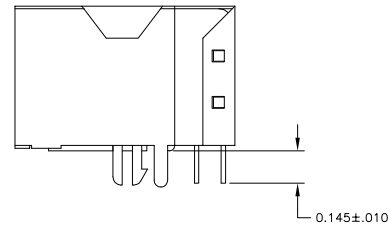
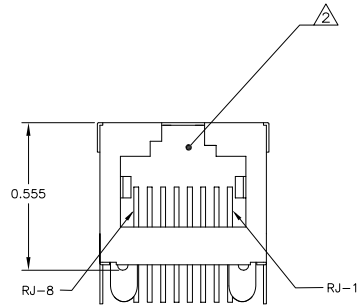
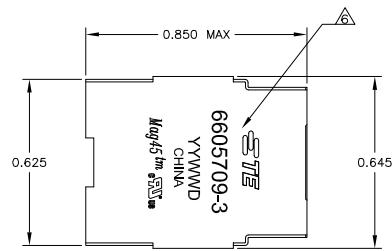


LOC		REVISONS			
NO	DATE	DESCRIPTION	DATE	BY	APP
C	PER ECO-09-000798		28MAY2009	VL	LR
D	ECO-11-015766		30MAY2011	EL	LR

MECHANICAL:



Pin Designations

MATERIALS:
 HOUSING - THERMOPLASTIC PET POLYESTER FLAMMABILITY RATING UL 94V-0.
 SHIELD - .010" THICK, C26800 BRASS PREPLATED WITH 30μINCH MIN SEMI-BRIGHT NICKEL. SOLDER TABS POST DIPPED WITH 100μINCH MIN SAC SOLDER.
 MOD JACK CONTACTS - 0.0157 X 0.018" PHOSPHOR BRONZE, 50μINCH MIN OVERALL NICKEL UNDERPLATE WITH SELECT 50μINCH MIN HARD GOLD FINISH PLATE. SOLDER TAILS WITH 100μINCH MIN MATTE TIN AND/OR SAC SOLDER DIP.

RJ45 JACK CAVITY CONFORMS TO FCC RULES AND REGULATIONS PART 68, SUB PART F.

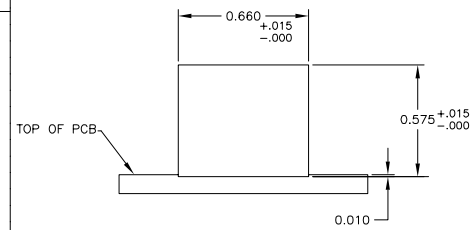
MAGNETICS
 -IMPEDANCE: 100 OHMS
 -TURNS RATIO (CHIP-CABLE): TX = 1, RX = 1:1
 -OPEN CIRCUIT INDUCTANCE (OCL): 350μH MIN @100kHz, 0.1VRMS, 8mA DC BIAS FROM 0°C TO 70°C, TX AND RX
 -PERFORMANCE @ 25°C:
 INSERTION LOSS (IL): 1.1dB MAX FROM 0.5MHz TO 100MHz
 RETURN LOSS (RL): 18dB MIN FROM 0.5MHz TO 30MHz
 18-20LOG(f/30)dB MIN FROM 30.1MHz TO 60MHz
 12dB MIN FROM 60.1MHz TO 80MHz
 CROSSTALK ATTENUATION: 35dB MIN FROM 0.5MHz TO 40MHz
 33-20LOG(f/50)dB MIN FROM 40.1MHz TO 100MHz
 COMMON MODE REJECTION RATIO (CMRR): 30dB MIN FROM 0.5MHz TO 100MHz
 -ISOLATION VOLTAGE: 2250VDC (MAX) FOR 60 SECONDS WITH A RISE TIME OF 500V/SEC.

4 OPERATING TEMPERATURE: FROM 0°C TO +70°C

INDICATED CONNECTIONS ARE FOR NIC CONFIGURATION. THE MAGNETICS ARE ASYMMETRICAL, AND THEREFORE DO NOT SUPPORT AUTO-MDI/MDIX.

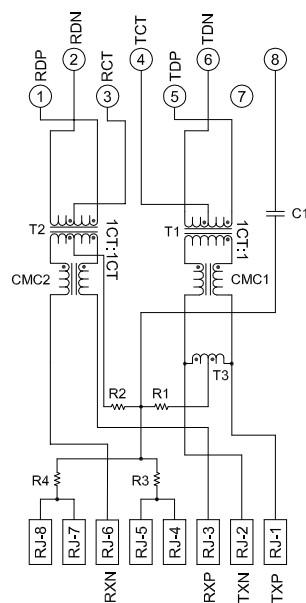
TYCO ELECTRONICS LOGO, PART NUMBER, DATE CODE, COUNTRY OF ORIGIN AND AGENCY APPROVAL MARKING IN APPROXIMATE LOCATION SHOWN.

THE PART IS RECOMMENDED FOR WAVE SOLDERING PROCESS, PREHEAT TEMPERATURE IS 120°C TO 160°C, 120 SECONDS TO 180 SECONDS, PEAK WAVE SOLDERING TEMPERATURE IS 260°C MAX, 10 SECONDS MAX.



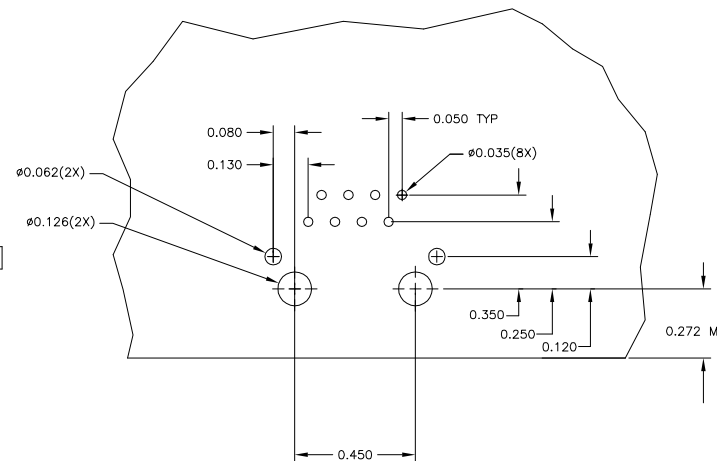
Suggested Panel Cutout

714 SERIES MAGNETIC CIRCUIT



C1=1000 pF, 2KV CAPACITOR

R1-R4 = 75 OHMS, 1/16 W RESISTORS



Suggested PCB Layout

6605709-3
PART NUMBER

DIMENSIONS:		DRAWING SPECIFICATIONS:		REVISIONS:	
INCHES	MILLIMETERS	NO	DATE	DESCRIPTION	DATE
0.125	3.175	1	10MAY2008	INITIAL DESIGN	
0.250	6.350	2	10MAY2008	REVISED TO 108-2100	
0.375	9.525	3	10MAY2008	REVISED TO 108-2100	
0.500	12.700	4	10MAY2008	REVISED TO 108-2100	
0.625	15.875	5	10MAY2008	REVISED TO 108-2100	
0.750	19.050	6	10MAY2008	REVISED TO 108-2100	
0.875	22.225	7	10MAY2008	REVISED TO 108-2100	
1.000	25.400	8	10MAY2008	REVISED TO 108-2100	
1.125	28.575	9	10MAY2008	REVISED TO 108-2100	
1.250	31.750	10	10MAY2008	REVISED TO 108-2100	
1.375	34.925	11	10MAY2008	REVISED TO 108-2100	
1.500	38.100	12	10MAY2008	REVISED TO 108-2100	
1.625	41.275	13	10MAY2008	REVISED TO 108-2100	
1.750	44.450	14	10MAY2008	REVISED TO 108-2100	
1.875	47.625	15	10MAY2008	REVISED TO 108-2100	
2.000	50.800	16	10MAY2008	REVISED TO 108-2100	
2.125	53.975	17	10MAY2008	REVISED TO 108-2100	
2.250	57.150	18	10MAY2008	REVISED TO 108-2100	
2.375	60.325	19	10MAY2008	REVISED TO 108-2100	
2.500	63.500	20	10MAY2008	REVISED TO 108-2100	
2.625	66.675	21	10MAY2008	REVISED TO 108-2100	
2.750	69.850	22	10MAY2008	REVISED TO 108-2100	
2.875	73.025	23	10MAY2008	REVISED TO 108-2100	
3.000	76.200	24	10MAY2008	REVISED TO 108-2100	
3.125	79.375	25	10MAY2008	REVISED TO 108-2100	
3.250	82.550	26	10MAY2008	REVISED TO 108-2100	
3.375	85.725	27	10MAY2008	REVISED TO 108-2100	
3.500	88.900	28	10MAY2008	REVISED TO 108-2100	
3.625	92.075	29	10MAY2008	REVISED TO 108-2100	
3.750	95.250	30	10MAY2008	REVISED TO 108-2100	
3.875	98.425	31	10MAY2008	REVISED TO 108-2100	
4.000	101.600	32	10MAY2008	REVISED TO 108-2100	
4.125	104.775	33	10MAY2008	REVISED TO 108-2100	
4.250	107.950	34	10MAY2008	REVISED TO 108-2100	
4.375	111.125	35	10MAY2008	REVISED TO 108-2100	
4.500	114.300	36	10MAY2008	REVISED TO 108-2100	
4.625	117.475	37	10MAY2008	REVISED TO 108-2100	
4.750	120.650	38	10MAY2008	REVISED TO 108-2100	
4.875	123.825	39	10MAY2008	REVISED TO 108-2100	
5.000	127.000	40	10MAY2008	REVISED TO 108-2100	
5.125	130.175	41	10MAY2008	REVISED TO 108-2100	
5.250	133.350	42	10MAY2008	REVISED TO 108-2100	
5.375	136.525	43	10MAY2008	REVISED TO 108-2100	
5.500	139.700	44	10MAY2008	REVISED TO 108-2100	
5.625	142.875	45	10MAY2008	REVISED TO 108-2100	
5.750	146.050	46	10MAY2008	REVISED TO 108-2100	
5.875	149.225	47	10MAY2008	REVISED TO 108-2100	
6.000	152.400	48	10MAY2008	REVISED TO 108-2100	
6.125	155.575	49	10MAY2008	REVISED TO 108-2100	
6.250	158.750	50	10MAY2008	REVISED TO 108-2100	
6.375	161.925	51	10MAY2008	REVISED TO 108-2100	
6.500	165.100	52	10MAY2008	REVISED TO 108-2100	
6.625	168.275	53	10MAY2008	REVISED TO 108-2100	
6.750	171.450	54	10MAY2008	REVISED TO 108-2100	
6.875	174.625	55	10MAY2008	REVISED TO 108-2100	
7.000	177.800	56	10MAY2008	REVISED TO 108-2100	
7.125	180.975	57	10MAY2008	REVISED TO 108-2100	
7.250	184.150	58	10MAY2008	REVISED TO 108-2100	
7.375	187.325	59	10MAY2008	REVISED TO 108-2100	
7.500	190.500	60	10MAY2008	REVISED TO 108-2100	
7.625	193.675	61	10MAY2008	REVISED TO 108-2100	
7.750	196.850	62	10MAY2008	REVISED TO 108-2100	
7.875	199.025	63	10MAY2008	REVISED TO 108-2100	
8.000	202.200	64	10MAY2008	REVISED TO 108-2100	
8.125	205.375	65	10MAY2008	REVISED TO 108-2100	
8.250	208.550	66	10MAY2008	REVISED TO 108-2100	
8.375	211.725	67	10MAY2008	REVISED TO 108-2100	
8.500	214.900	68	10MAY2008	REVISED TO 108-2100	
8.625	218.075	69	10MAY2008	REVISED TO 108-2100	
8.750	221.250	70	10MAY2008	REVISED TO 108-2100	
8.875	224.425	71	10MAY2008	REVISED TO 108-2100	
9.000	227.600	72	10MAY2008	REVISED TO 108-2100	
9.125	230.775	73	10MAY2008	REVISED TO 108-2100	
9.250	233.950	74	10MAY2008	REVISED TO 108-2100	
9.375	237.125	75	10MAY2008	REVISED TO 108-2100	
9.500	240.300	76	10MAY2008	REVISED TO 108-2100	
9.625	243.475	77	10MAY2008	REVISED TO 108-2100	
9.750	246.650	78	10MAY2008	REVISED TO 108-2100	
9.875	249.825	79	10MAY2008	REVISED TO 108-2100	
10.000	253.000	80	10MAY2008	REVISED TO 108-2100	

单击下面可查看定价，库存，交付和生命周期等信息

[>>TE Connectivity\(泰科\)](#)