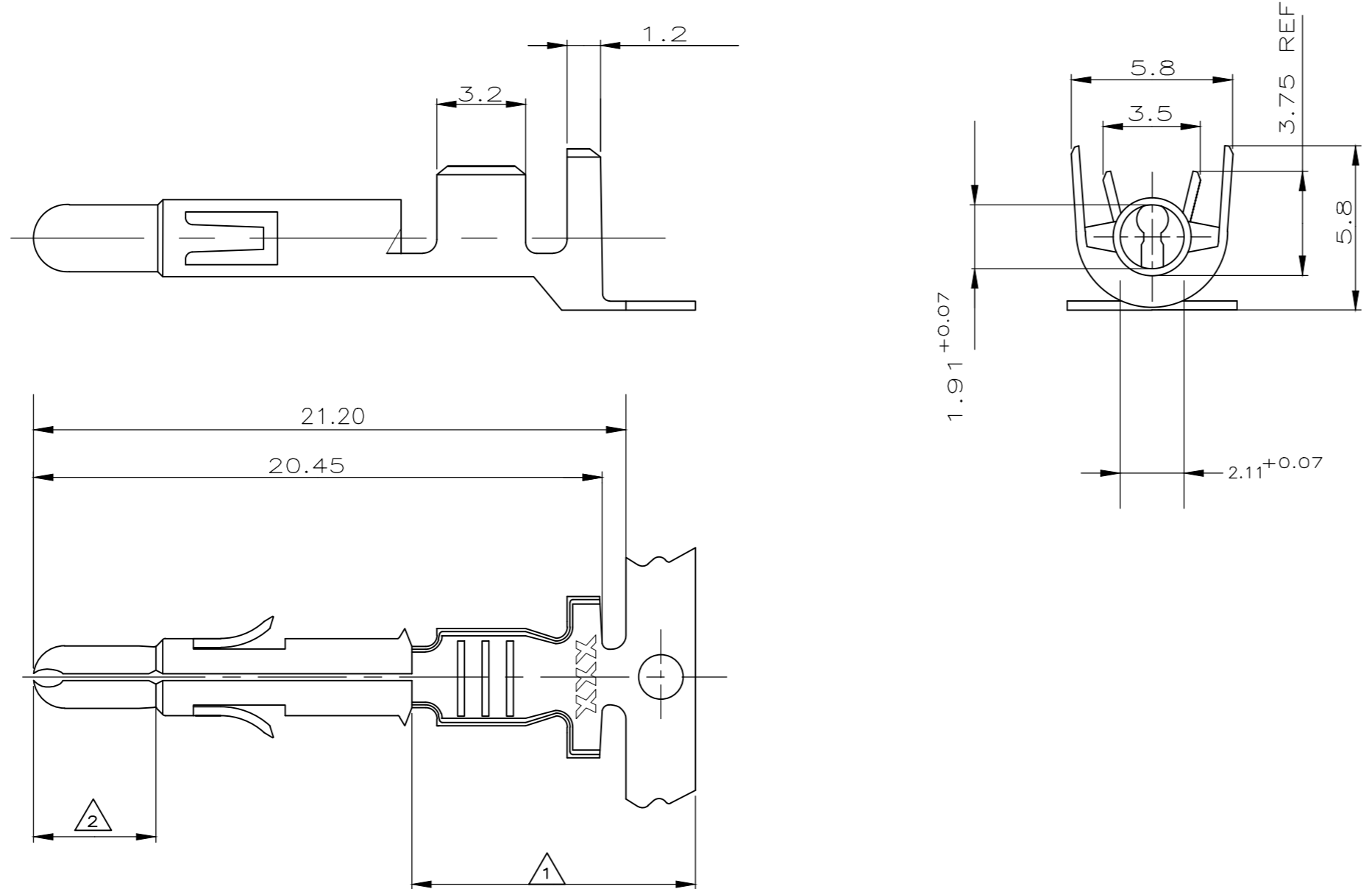


THIS DRAWING IS UNPUBLISHED. RELEASED FOR PUBLICATION  
 © COPYRIGHT - By - ALL RIGHTS RESERVED.

REVISIONS				
P	LTR	DESCRIPTION	DATE	APVD
K8		REVISED PER ECR-19-013607	11SEP2019	PC SF

- 1 2-5µm Sn über Ni in der crimpzone.
- 2 0.8µM Gold über Nickel in der kontaktzone
- 3 Für isolations Ø3.3-5.1 mm geeignet
- 4 OBSOLETE PARTS: OBSOLETE CIS STREAMLINING PER D.RENAUD/D.SINISI.



4	OBSOLETE	926902-7	926899-7	BRASS	1 2
	OBSOLETE	926902-6	926899-6	PHOS BRONZE	1 2
	OBSOLETE	926902-5	926899-5	COPPER ALLOY	vorverzinnt
	OBSOLETE	926902-4	926899-4	COPPER ALLOY	blank
		926902-3	926899-3	PHOS BRONZE	vorverzinnt
		926902-1	926899-1	BRASS	vorverzinnt
	LOOSE PIECE	Bestell-Nr	werkstoff	Oberfläche	Farbe

THIS DRAWING IS A CONTROLLED DOCUMENT.		DWN	11.11.03	TE Connectivity UNIVERSAL M-N-L STIFT DGB 1.5-2.5 mm2	
DIMENSIONS: mm		CHK	12.11.03		
TOLERANCES UNLESS OTHERWISE SPECIFIED:		APVD	13.11.03		
0 PLC ± - 1 PLC ± - 2 PLC ± 0.2 3 PLC ± - 4 PLC ± - ANGLES ± -		PRODUCT SPEC	-		
MATERIAL	FINISH	WEIGHT	SIZE	CAGE CODE	DRAWING NO
-	-	-	A2	00779	C=926899
CUSTOMER DRAWING			SCALE	SHEET	REV
			5:1	1 of 1	K8

单击下面可查看定价，库存，交付和生命周期等信息

[>>TE Connectivity\(泰科\)](#)